
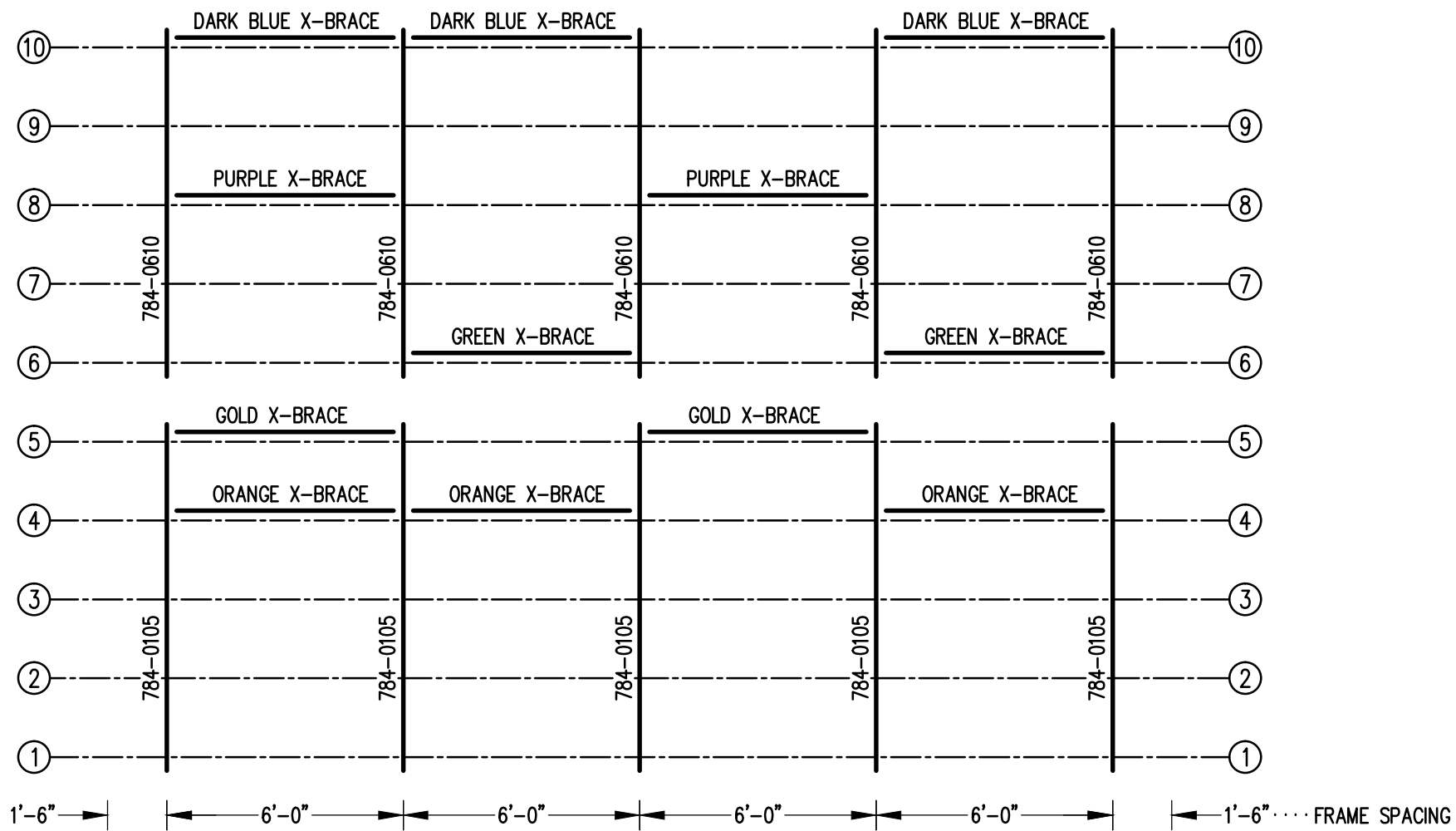


SEATING PLAN

1/4" = 1'-0"

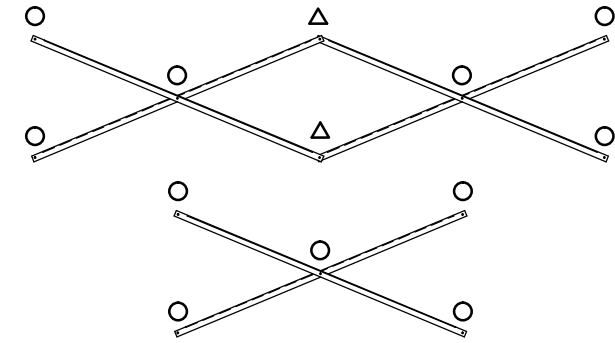
144 NET SEATS @ 18" PER SEAT

		Outdoor Aluminum		P.O. BOX 118 GENEVA, ALABAMA 36340 334-684-2296	
		SCALE	AS NOTED	REVISIONS	BY
DATE	11/2/11				
DR'N	CDK	CKD			
AP'VD					
TITLE					NO.
DLW 10-27 SEATING PLAN					784-E2113



FRAMING PLAN


1/4" = 1'-0"

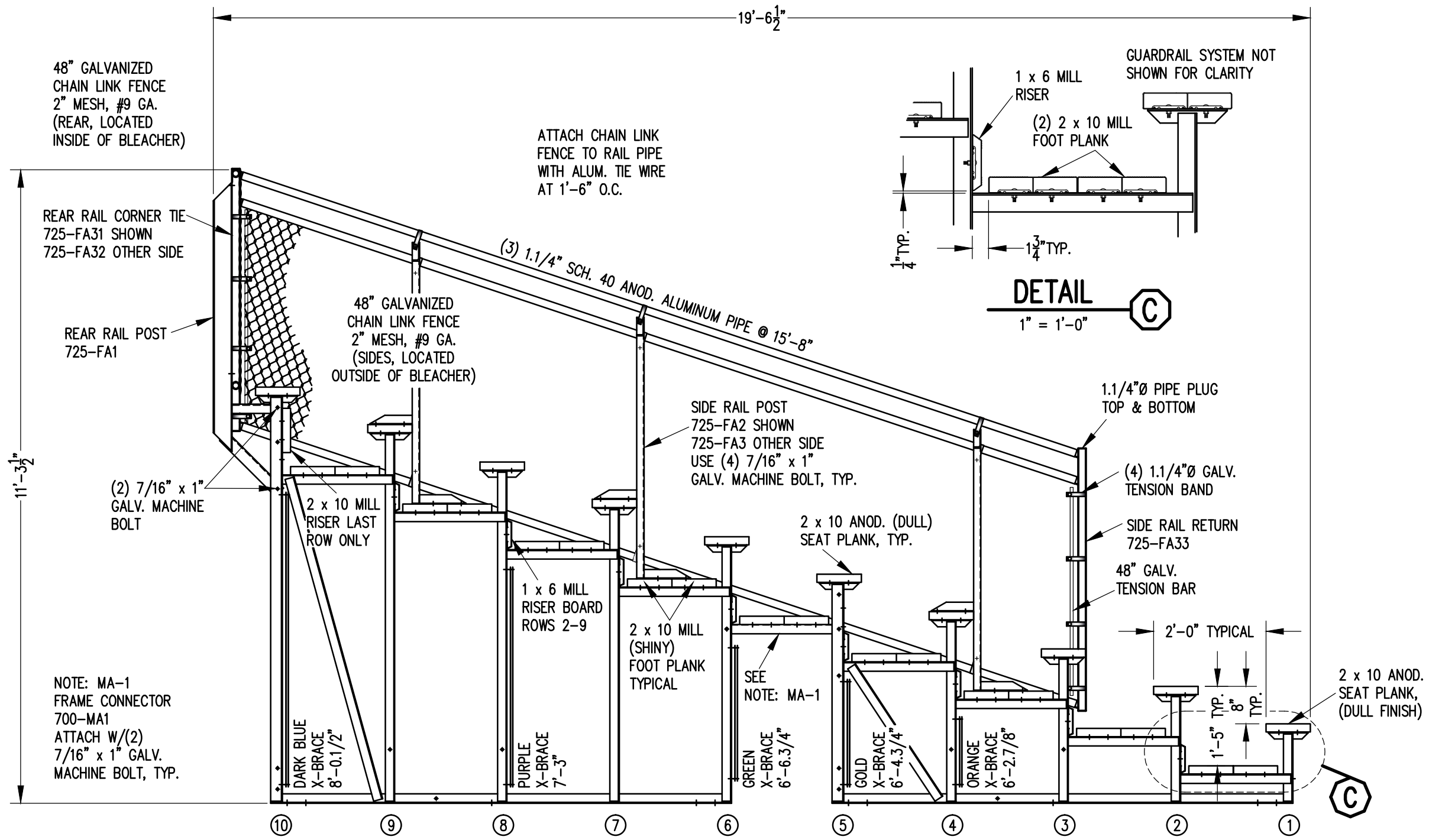


X-BRACE DETAIL

N.T.S.

- 7/16" X 1" GALV. MACH. BOLT
- △ 7/16" X 1.1/2" GALV. MACH. BOLT


		Outdoor Aluminum		<small>P.O. BOX 118 GENEVA, ALABAMA 36340 334-684-2296</small>	
SCALE	AS NOTED	REVISIONS		BY	DATE
DATE	11/2/11				
DR'N	CKD				
AP'VD					
TITLE					NO.
DLW 10-27 FRAMING PLAN					784-E2153

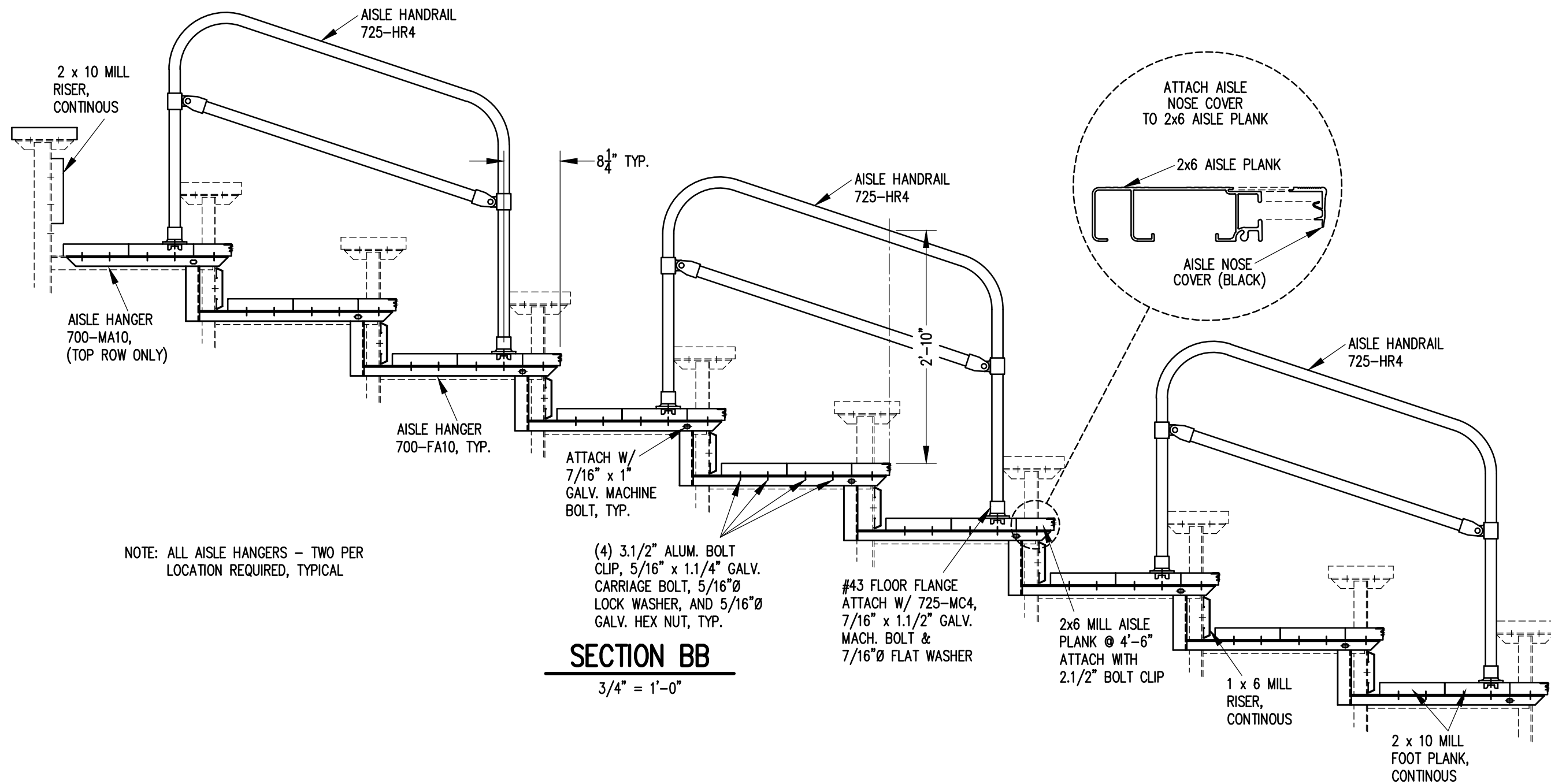


SECTION AA

1/2" = 1'-0"

NOTE: MA-1
FRAME CONNECTOR
700-MA1
ATTACH W/(2)
7/16" x 1" GALV.
MACHINE BOLT, TYP.

		Outdoor Aluminum		P.O. BOX 118 GENEVA, ALABAMA 36340 334-684-2296	
SCALE	1/2"=1'-0"	REVISIONS		BY	DATE
DATE	11/2/11				
DR'N	CDK CKD				
AP'VD					
TITLE	DLW 10 ROW SECTION			NO.	784-E2123

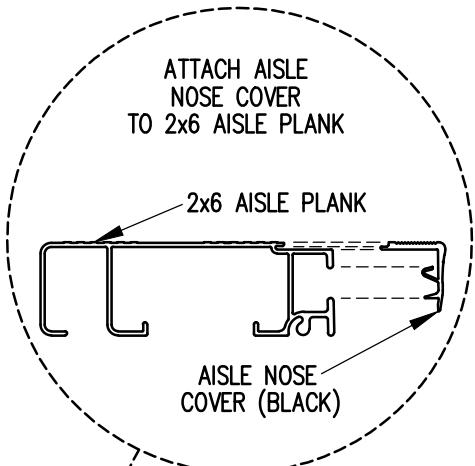


NOTE: ALL AISLE HANGERS - TWO PER LOCATION REQUIRED, TYPICAL

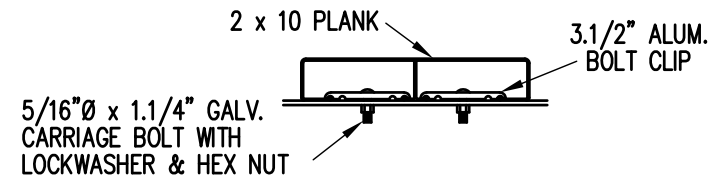
(4) 3.1/2" ALUM. BOLT CLIP, 5/16" x 1.1/4" GALV. CARRIAGE BOLT, 5/16"Ø LOCK WASHER, AND 5/16"Ø GALV. HEX NUT, TYP.

SECTION BB

3/4" = 1'-0"

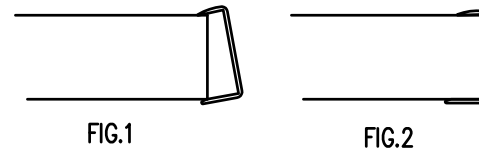


		P.O. BOX 118 GENEVA, ALABAMA 36340 334-684-2296	
		SCALE 3/4"=1'-0"	REVISIONS
DATE 11/2/11			
DR'N GPK CKD			
AP'VD			
TITLE			NO.
DLW 10 ROW AISLE SECTION			784-E1996



BOLT CLIP DETAIL

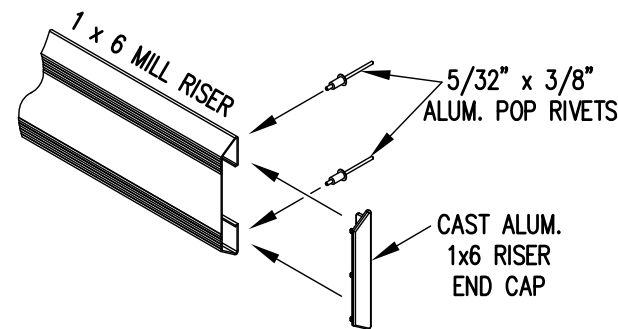
1.1/2" = 1'-0"



- 1) LOCATE THE CHANNEL END CAP AS SHOWN IN FIG. 1.
- 2) TAP END CAP INTO PLACE WITH RUBBER Mallet OR SOFT WOOD. FIG.2
- 3) DRILL 5/32" HOLES THROUGH THE BOTTOM FLANGE AND THE BOTTOM OUTSIDE PLANK FLANGES OF EACH PLANK. INSTALL 5/32" POP RIVETS.

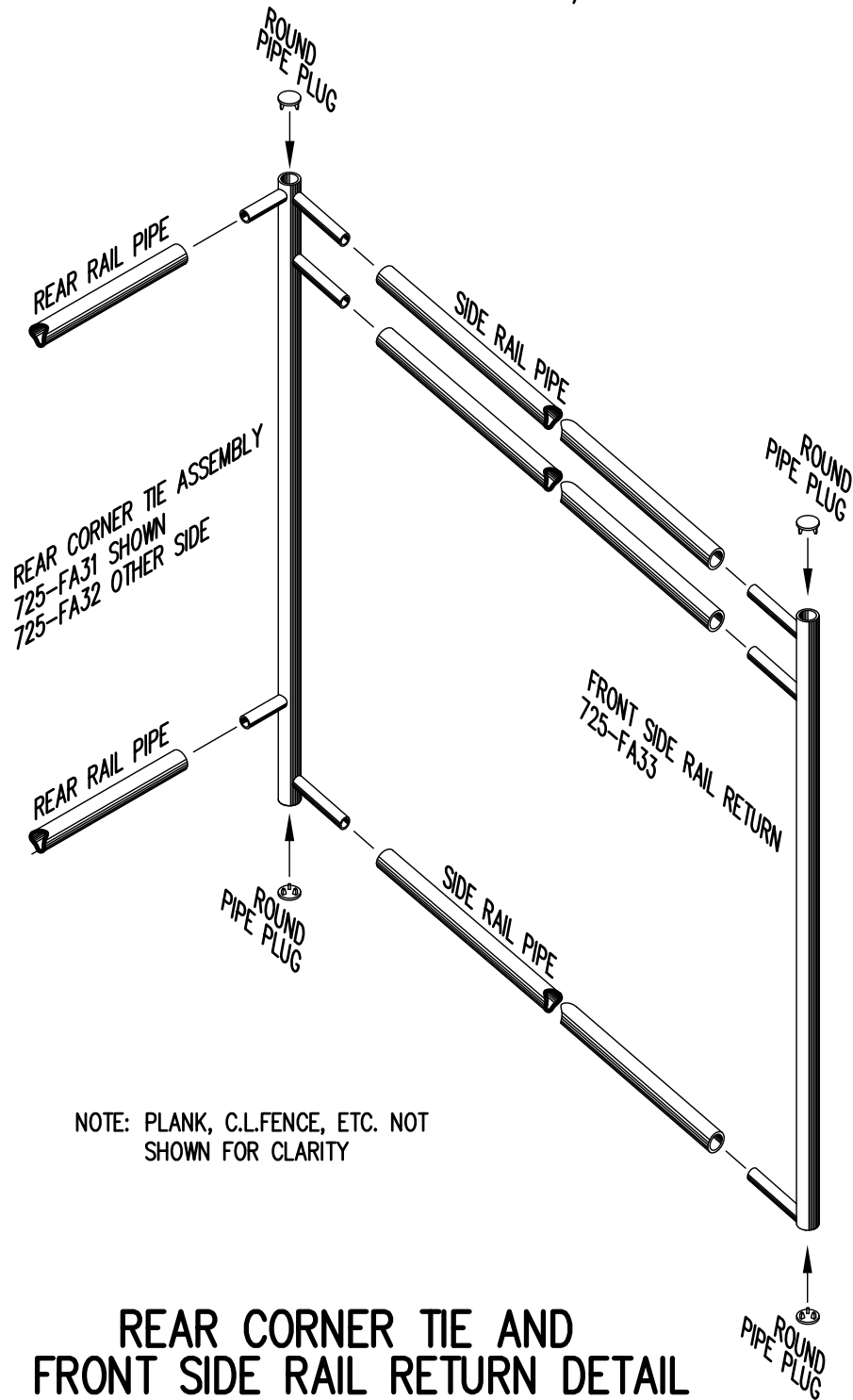
END CAP DETAIL

N.T.S.



1 x 6 RISER END CAP

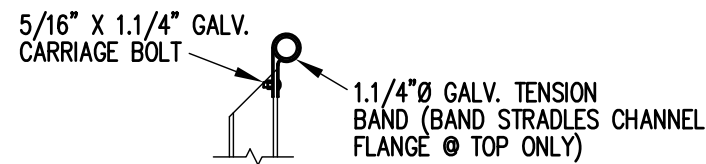
N.T.S.



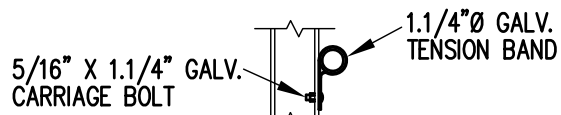
REAR CORNER TIE AND FRONT SIDE RAIL RETURN DETAIL

3/4" = 1'-0"

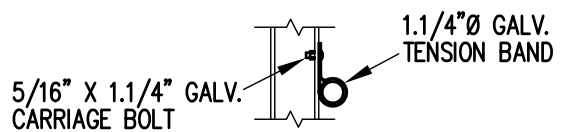
NOTE: PLANK, C.L.FENCE, ETC. NOT SHOWN FOR CLARITY



TOP RAIL

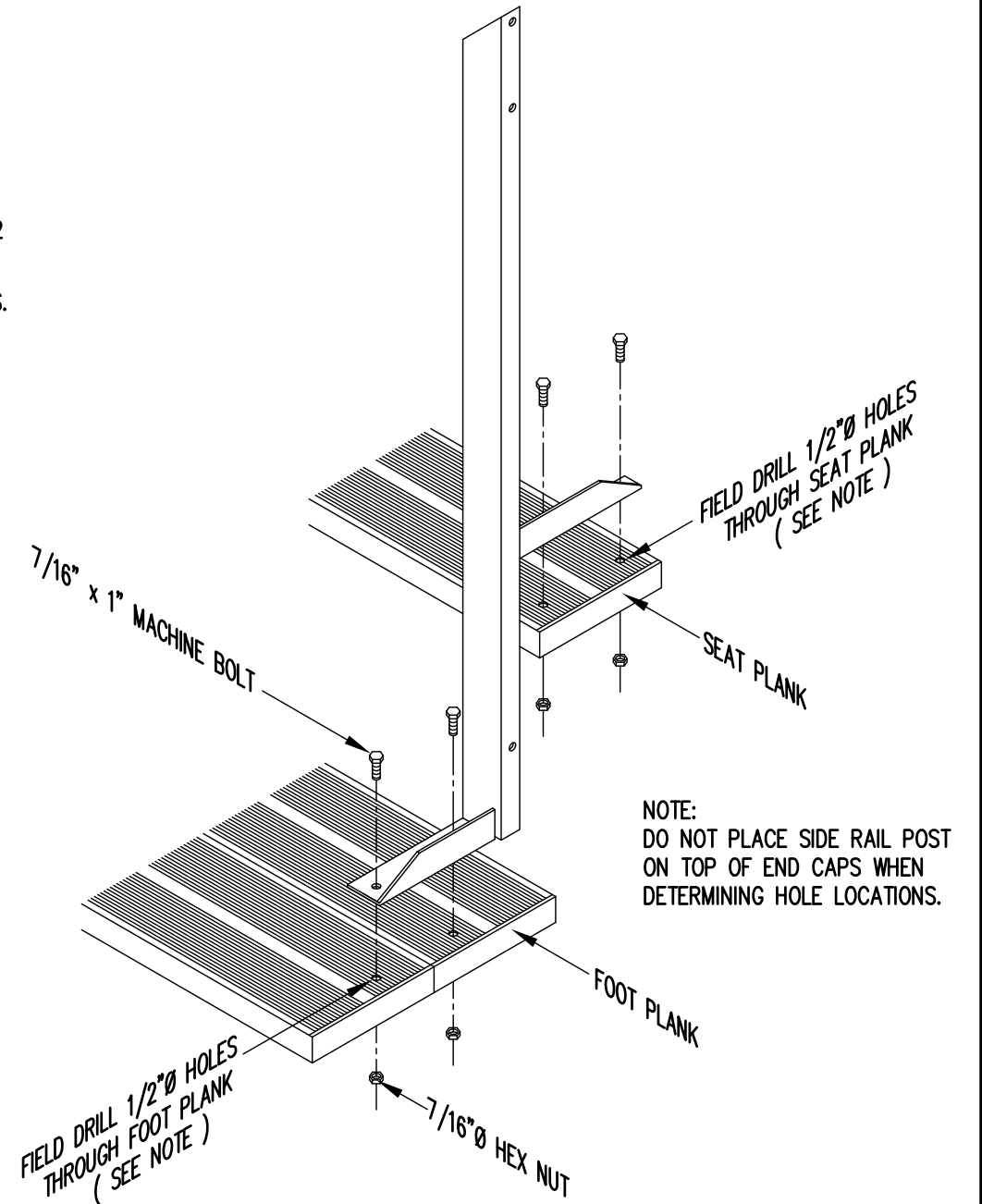


2ND RAIL



BOTTOM RAIL

RAIL PIPE ATTACHMENT



TYP. SIDE RAIL POST ATTACHMENT

1" = 1'-0"

NOTE: DO NOT PLACE SIDE RAIL POST ON TOP OF END CAPS WHEN DETERMINING HOLE LOCATIONS.

		P.O. BOX 118 GENEVA, ALABAMA 36340 334-684-2296				
		SCALE	AS NOTED	REVISIONS	BY	DATE
DATE	11/2/11					
DR'N	ADK	CKD				
AP'VD						
TITLE					NO.	
TYPICAL DETAILS					784-E1990	