
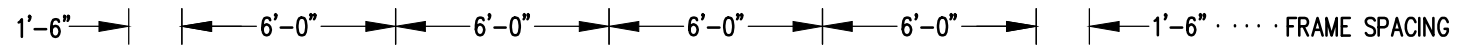
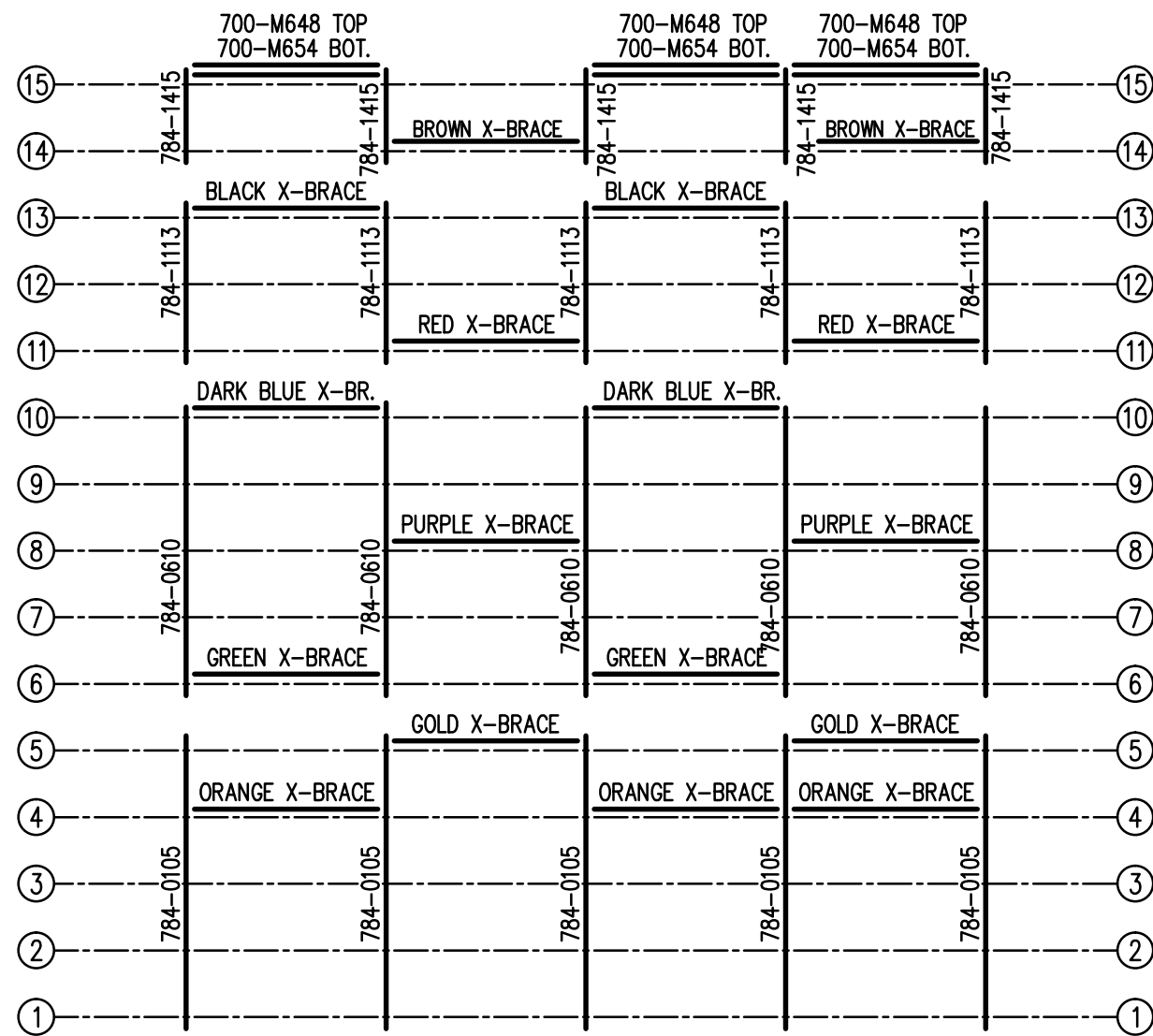


**SEATING PLAN**

3/16" = 1'-0"

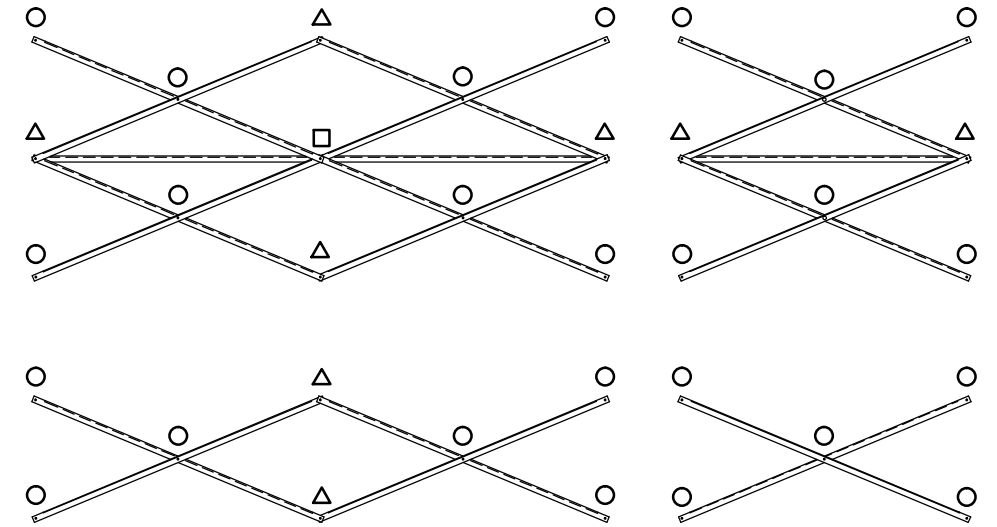
214 NET SEATS @ 18" PER SEAT

		<b>Outdoor Aluminum</b> <small>P.O. BOX 118          GENEVA, ALABAMA 36340          334-684-2296</small>	
DATE <b>11/2/11</b>			
DR'N <i>CDK</i>	CKD		
AP'VD			
TITLE			NO.
DLW 15-27 SEATING PLAN			<b>784-E2283</b>



**FRAMING PLAN**

3/16" = 1'-0"

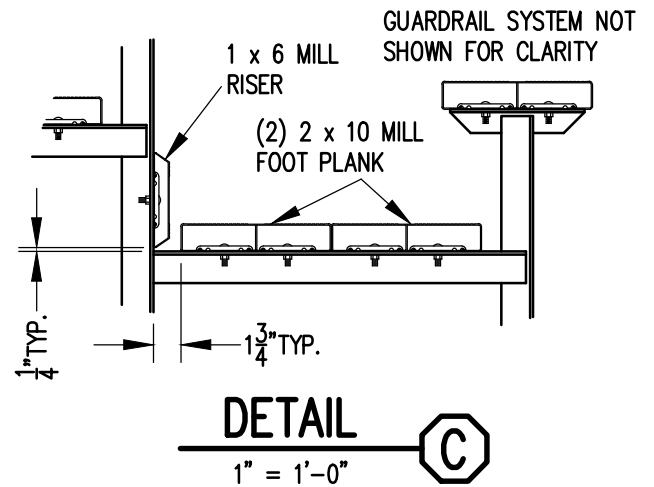
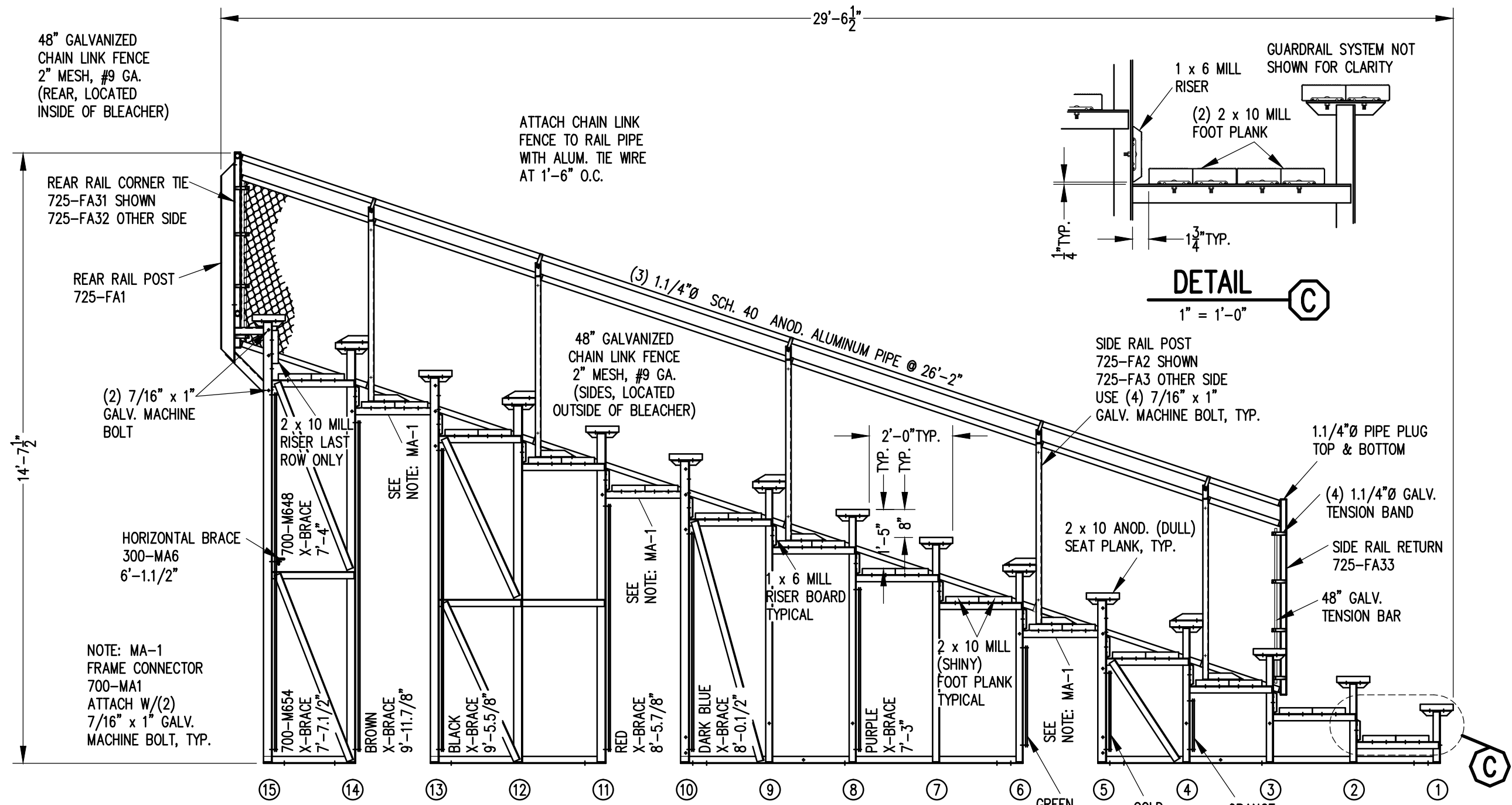


**X-BRACE DETAIL**

N.T.S.

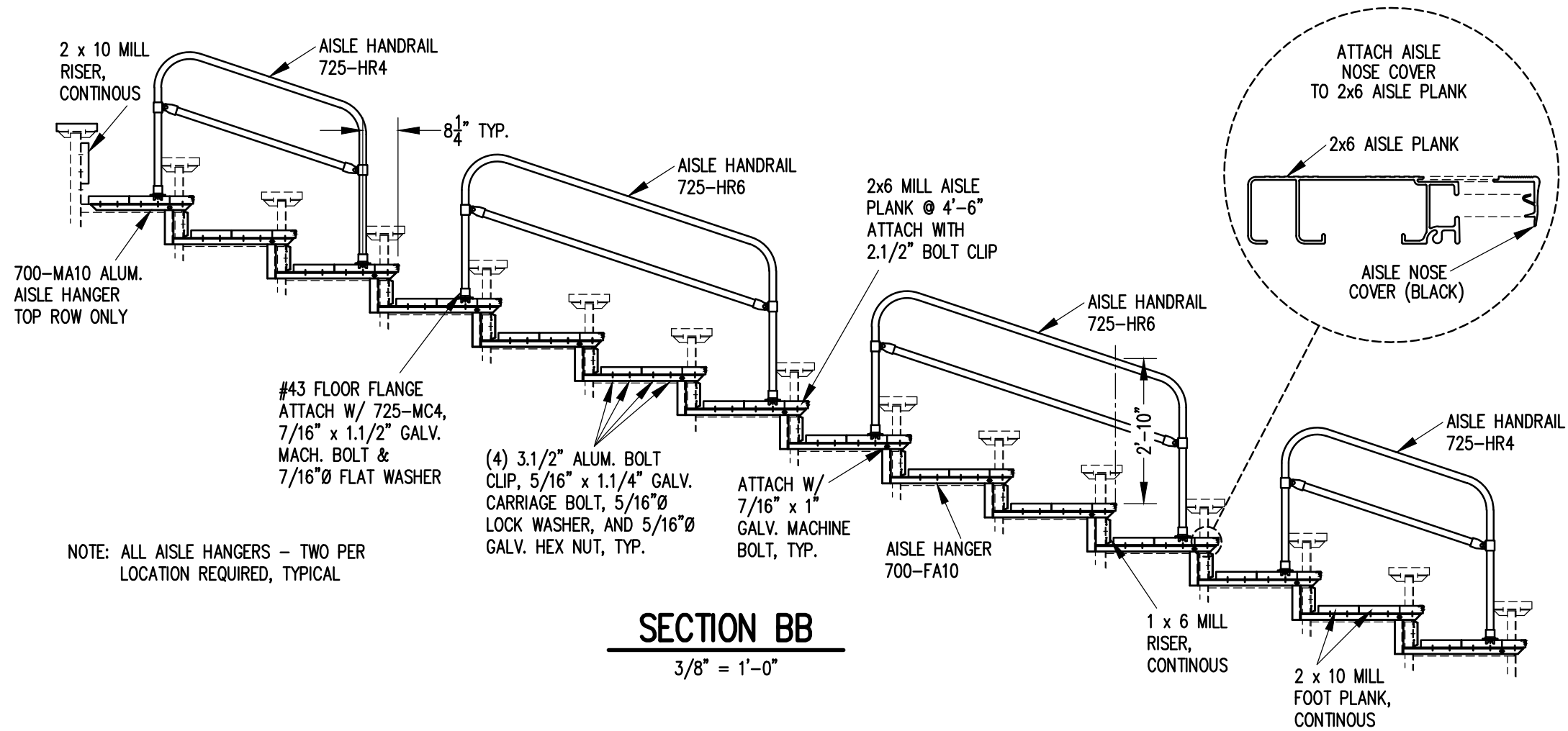
- 7/16" X 1" GALV. MACH. BOLT
- △ 7/16" X 1.1/2" GALV. MACH. BOLT
- 7/16" X 3" GALV. MACH. BOLT

		P.O. BOX 118 GENEVA, ALABAMA 36340 334-684-2296		
		SCALE	AS NOTED	REVISIONS
DATE	11/2/11			
DR'N	CDK	CKD		
AP'VD				
TITLE			NO.	
DLW 15-27 FRAMING PLAN			784-E2284	




**SECTION AA**  
3/8" = 1'-0"

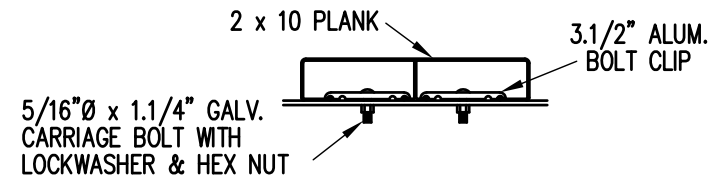
		<b>Outdoor Aluminum</b> P.O. BOX 118 GENEVA, ALABAMA 36340 334-684-2296	
DATE 11/2/11			
DR'N GPK CKD			
AP'VD			
TITLE			NO.
DLW 15 ROW SECTION			<b>784-E2293</b>



**SECTION BB**

3/8" = 1'-0"

		<b>Outdoor Aluminum</b>		P.O. BOX 118 GENEVA, ALABAMA 36340 334-684-2296	
SCALE	3/8"=1'-0"	REVISIONS		BY	DATE
DATE	11/2/11				
DR'N	CDK	CKD			
AP'VD					
TITLE				NO.	
DLW 15 ROW AISLE SECTION				784-E2016	



**BOLT CLIP DETAIL**

1.1/2" = 1'-0"



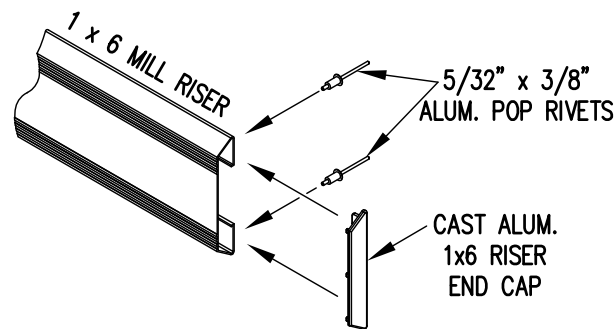
FIG.1

FIG.2

- 1) LOCATE THE CHANNEL END CAP AS SHOWN IN FIG. 1.
- 2) TAP END CAP INTO PLACE WITH RUBBER Mallet OR SOFT WOOD. FIG.2
- 3) DRILL 5/32" HOLES THROUGH THE BOTTOM FLANGE AND THE BOTTOM OUTSIDE PLANK FLANGES OF EACH PLANK. INSTALL 5/32" POP RIVETS.

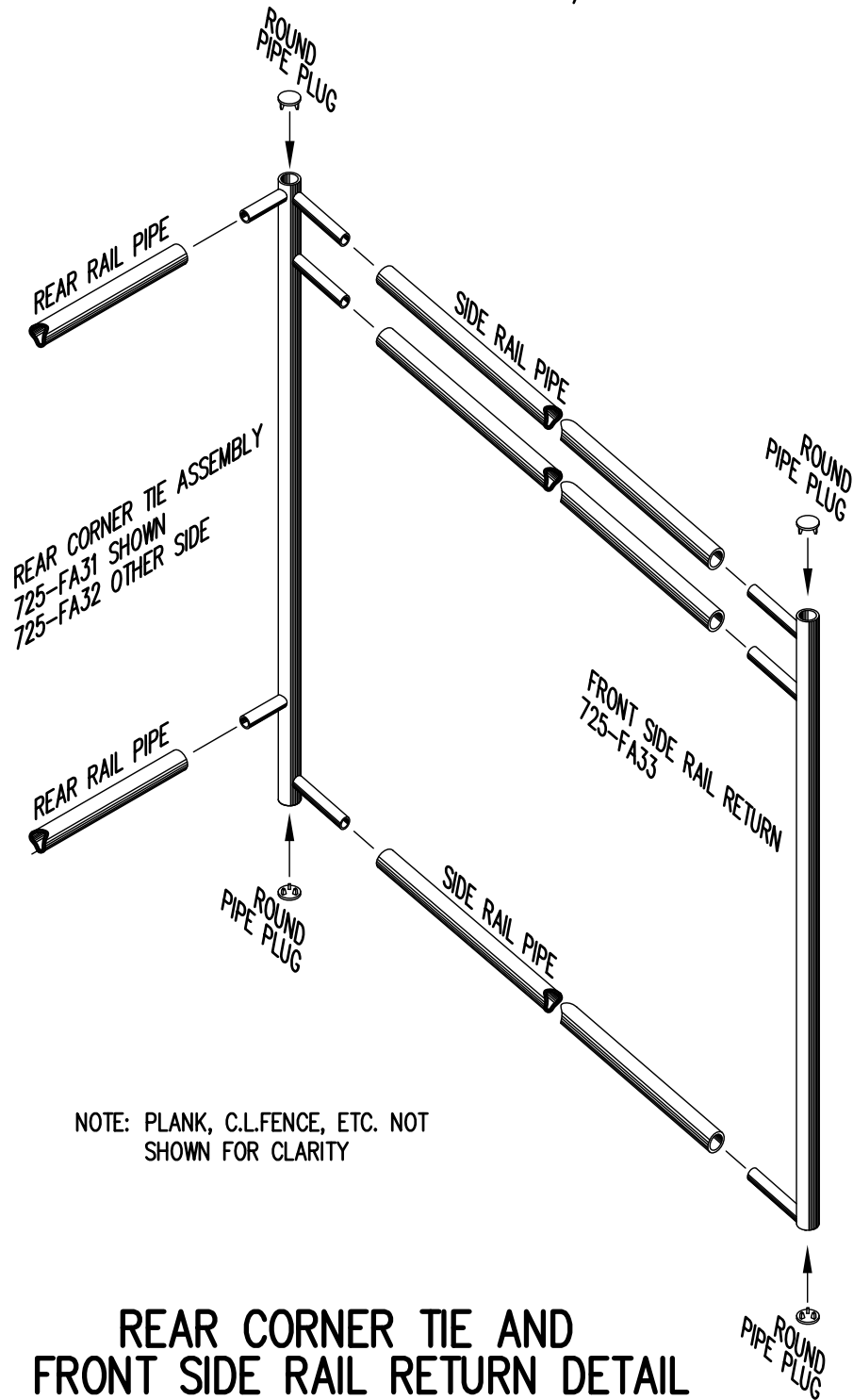
**END CAP DETAIL**

N.T.S.



**1 x 6 RISER END CAP**

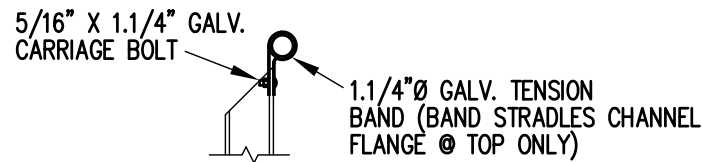
N.T.S.



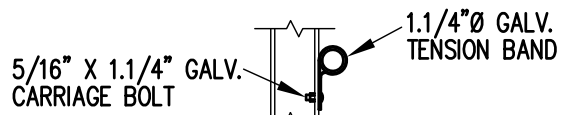
**REAR CORNER TIE AND FRONT SIDE RAIL RETURN DETAIL**

3/4" = 1'-0"

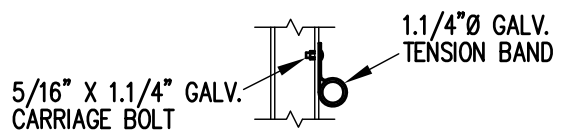
NOTE: PLANK, C.L.FENCE, ETC. NOT SHOWN FOR CLARITY



**TOP RAIL**

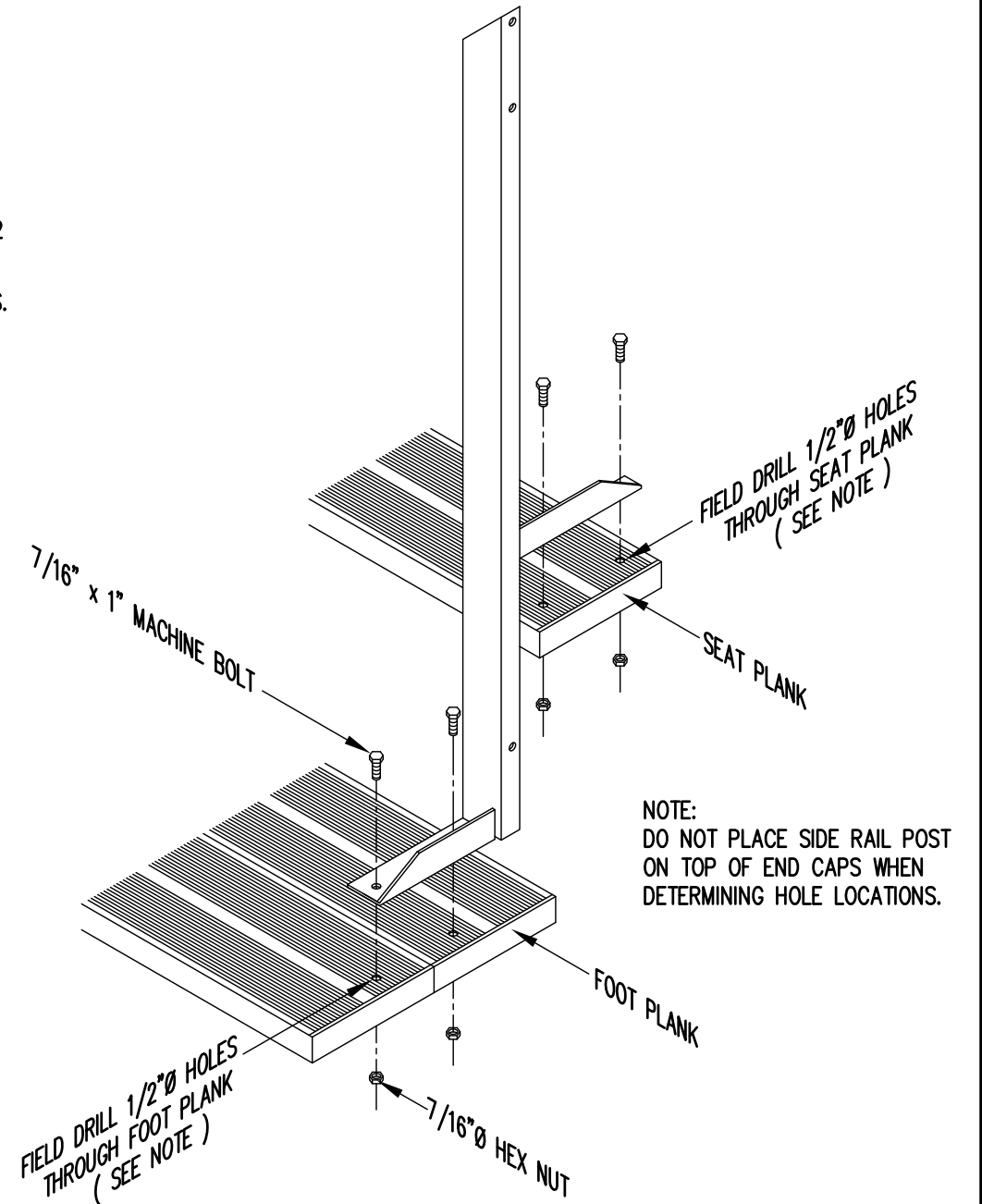


**2ND RAIL**



**BOTTOM RAIL**

**RAIL PIPE ATTACHMENT**



**TYP. SIDE RAIL POST ATTACHMENT**

1" = 1'-0"

NOTE: DO NOT PLACE SIDE RAIL POST ON TOP OF END CAPS WHEN DETERMINING HOLE LOCATIONS.

		P.O. BOX 118 GENEVA, ALABAMA 36340 334-684-2296				
		SCALE	AS NOTED	REVISIONS	BY	DATE
DATE	11/2/11					
DR'N	ADK	CKD				
AP'VD						
TITLE						NO.
TYPICAL DETAILS						784-E1990