
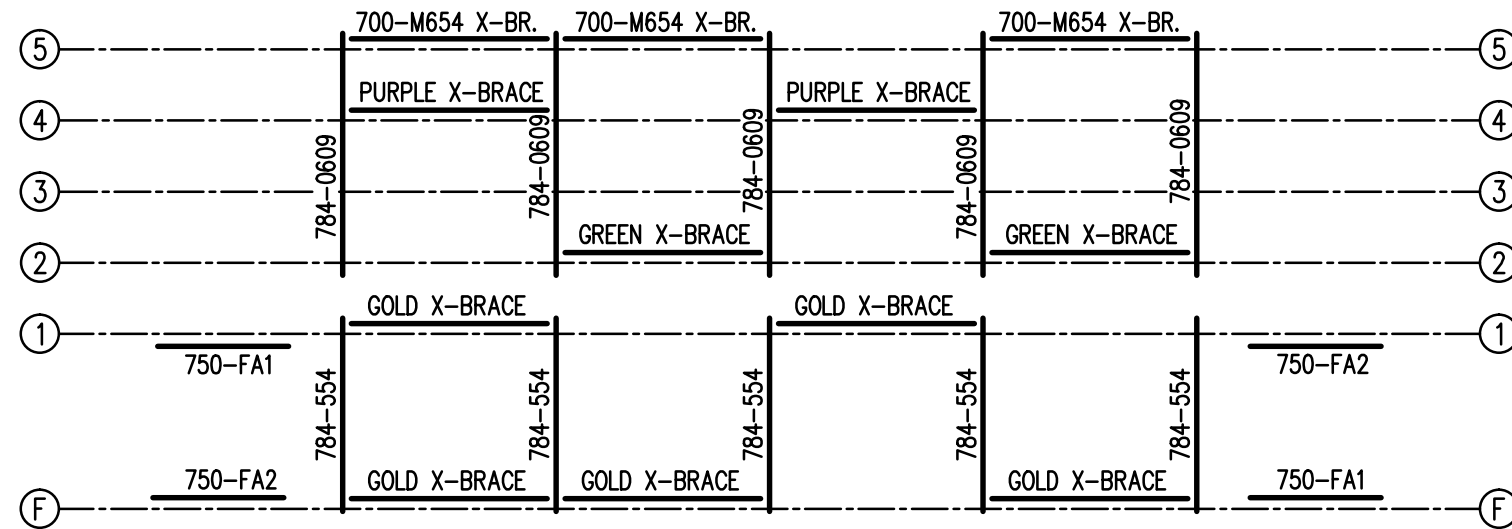


### SEATING PLAN

3/16" = 1'-0"

74 NET SEATS @ 18" PER SEAT

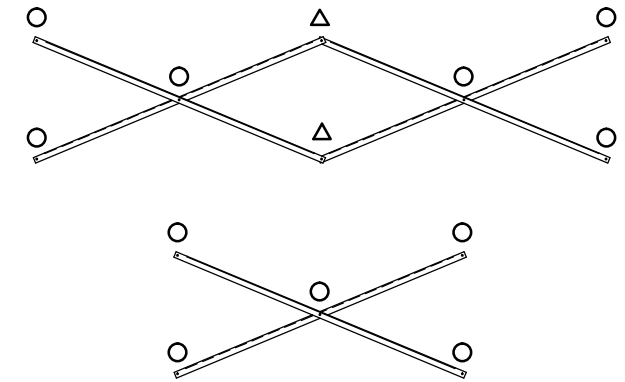
		<b>Outdoor Aluminum</b>		<small>P.O. BOX 118 GENEVA, ALABAMA 36340 334-684-2296</small>	
SCALE	3/16"=1'-0"	REVISIONS		BY	DATE
DATE	11/2/11				
DR'N	CDK	CKD			
AP'VD					
TITLE				NO.	
DLWE 5-27 SEATING PLAN				784-E2171	



1'-6" 6'-0" 6'-0" 6'-0" 6'-0" 1'-6" ... FRAME SPACING

**FRAMING PLAN**

3/16" = 1'-0"




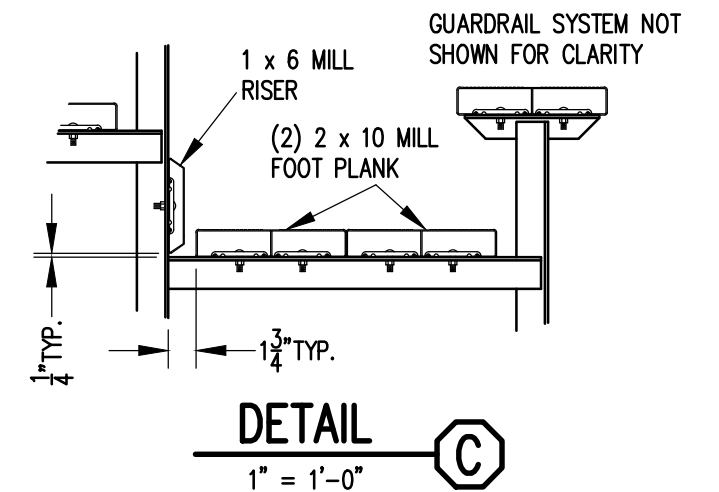
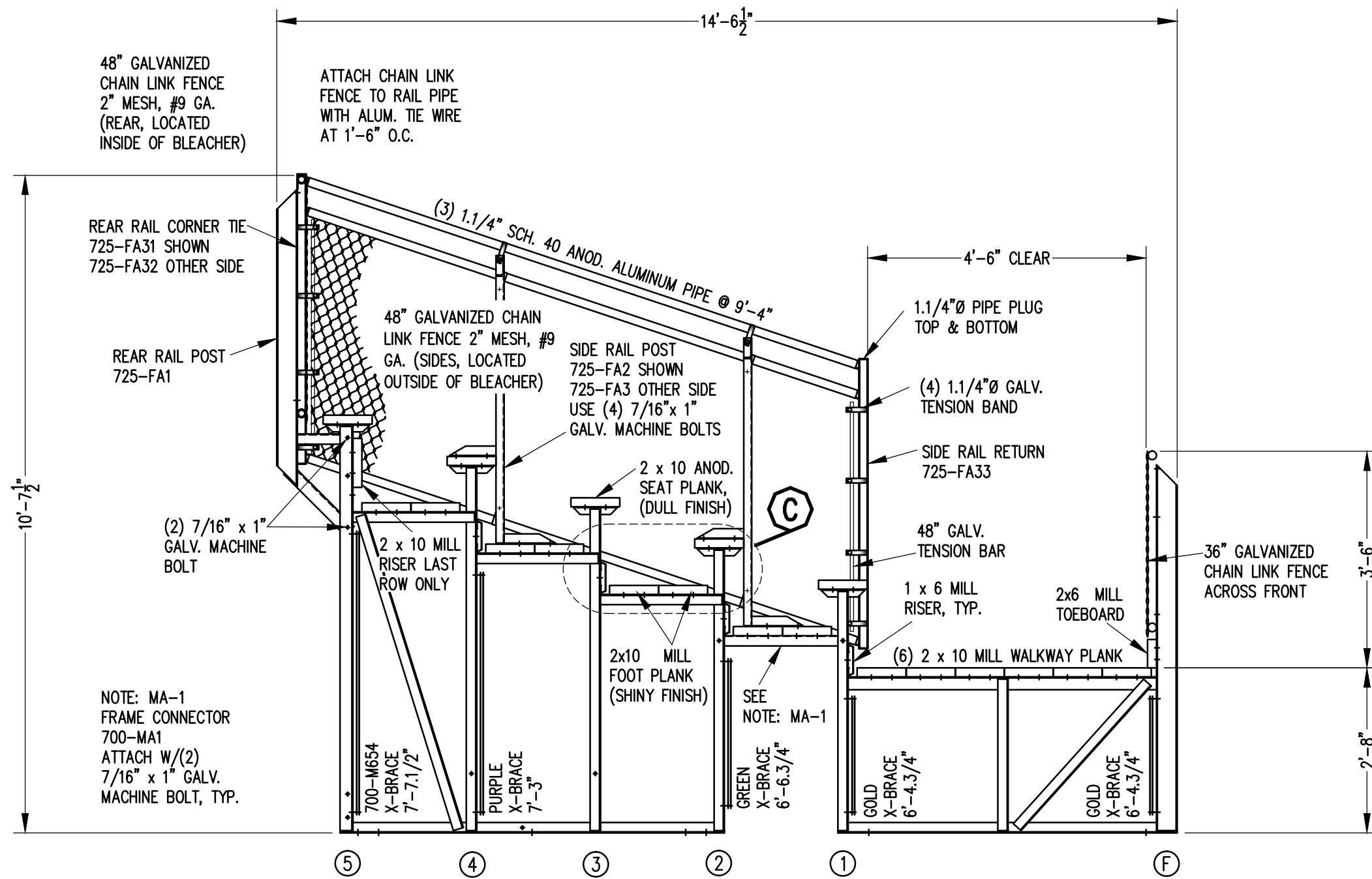
**X-BRACE DETAIL**

N.T.S.

○ 7/16" X 1" GALV. MACH. BOLT


△ 7/16" X 1.1/2" GALV. MACH. BOLT

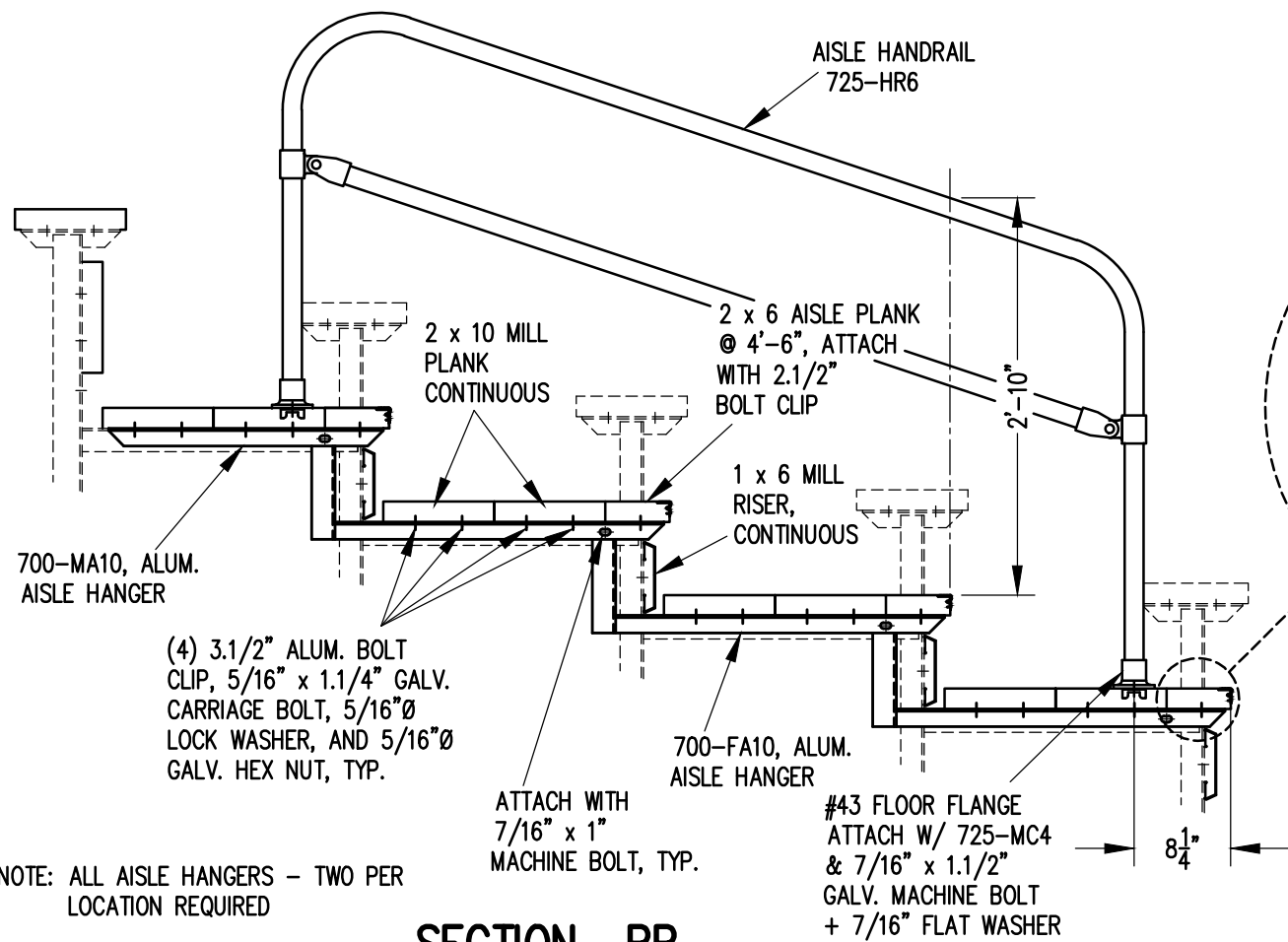
		<b>Outdoor Aluminum</b> P.O. BOX 118 GENEVA, ALABAMA 36340 334-684-2296	
DATE <b>11/2/11</b>			
DR'N <i>CDK</i>	CKD		
AP'VD			
TITLE			NO.
DLWE 5-27 FRAMING PLAN			<b>784-E2241</b>



**SECTION AA**

1/2" = 1'-0"

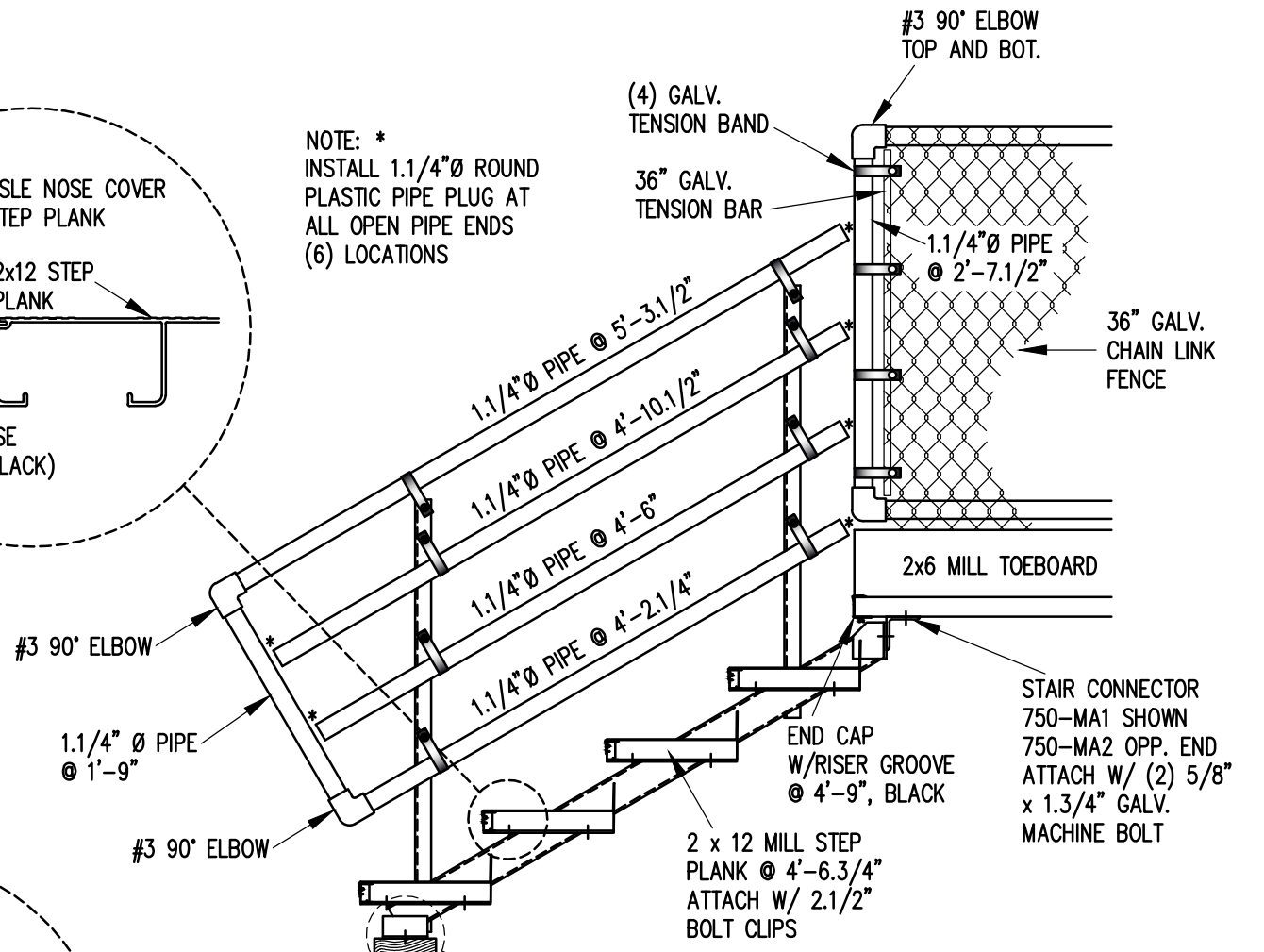
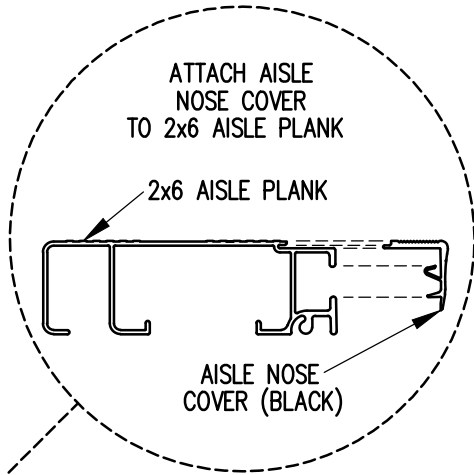
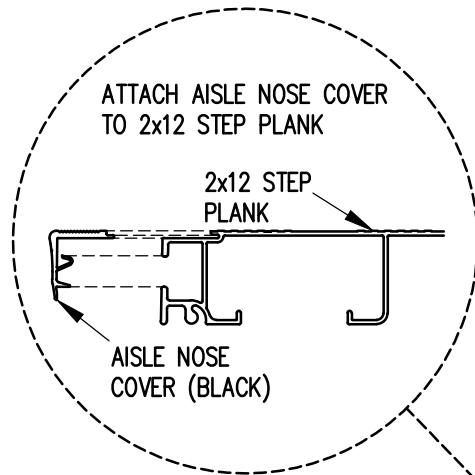
		<b>Outdoor Aluminum</b> P.O. BOX 118 GENEVA, ALABAMA 36340 334-684-2296	
DATE	11/2/11	REVISIONS	
DR'N	CDK	BY	
AP'VD		DATE	
TITLE			NO.
DLWE 5 ROW SECTION			784-E2181



NOTE: ALL AISLE HANGERS - TWO PER LOCATION REQUIRED

**SECTION BB**

3/4" = 1'-0"

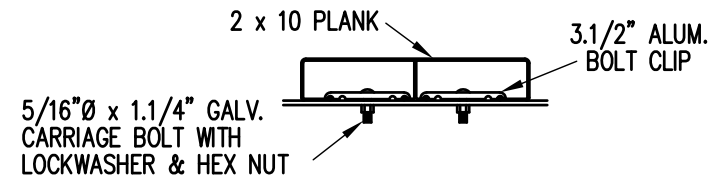


NOTE: \*  
INSTALL 1.1/4" Ø ROUND  
PLASTIC PIPE PLUG AT  
ALL OPEN PIPE ENDS  
(6) LOCATIONS

**SECTION CC**

3/4" = 1'-0"

		Outdoor Aluminum		P.O. BOX 118 GENEVA, ALABAMA 36340 334-684-2296	
		SCALE	REVISIONS	BY	DATE
SCALE	3/4" = 1'-0"				
DATE	11/2/11				
DR'N	CDK	CKD			
AP'VD					
TITLE	DLWE 5 ROW AISLE & STAIR SECTIONS			NO.	784-E1997



**BOLT CLIP DETAIL**

1.1/2" = 1'-0"



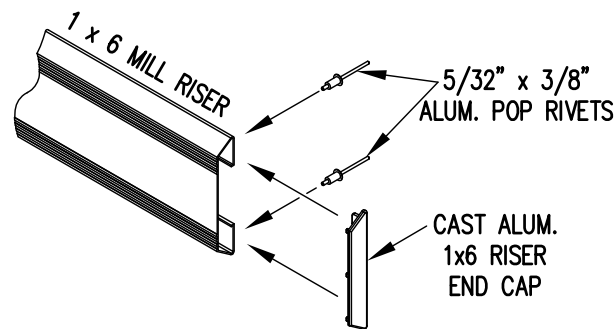
FIG.1

FIG.2

- 1) LOCATE THE CHANNEL END CAP AS SHOWN IN FIG. 1.
- 2) TAP END CAP INTO PLACE WITH RUBBER Mallet OR SOFT WOOD. FIG.2
- 3) DRILL 5/32" HOLES THROUGH THE BOTTOM FLANGE AND THE BOTTOM OUTSIDE PLANK FLANGES OF EACH PLANK. INSTALL 5/32" POP RIVETS.

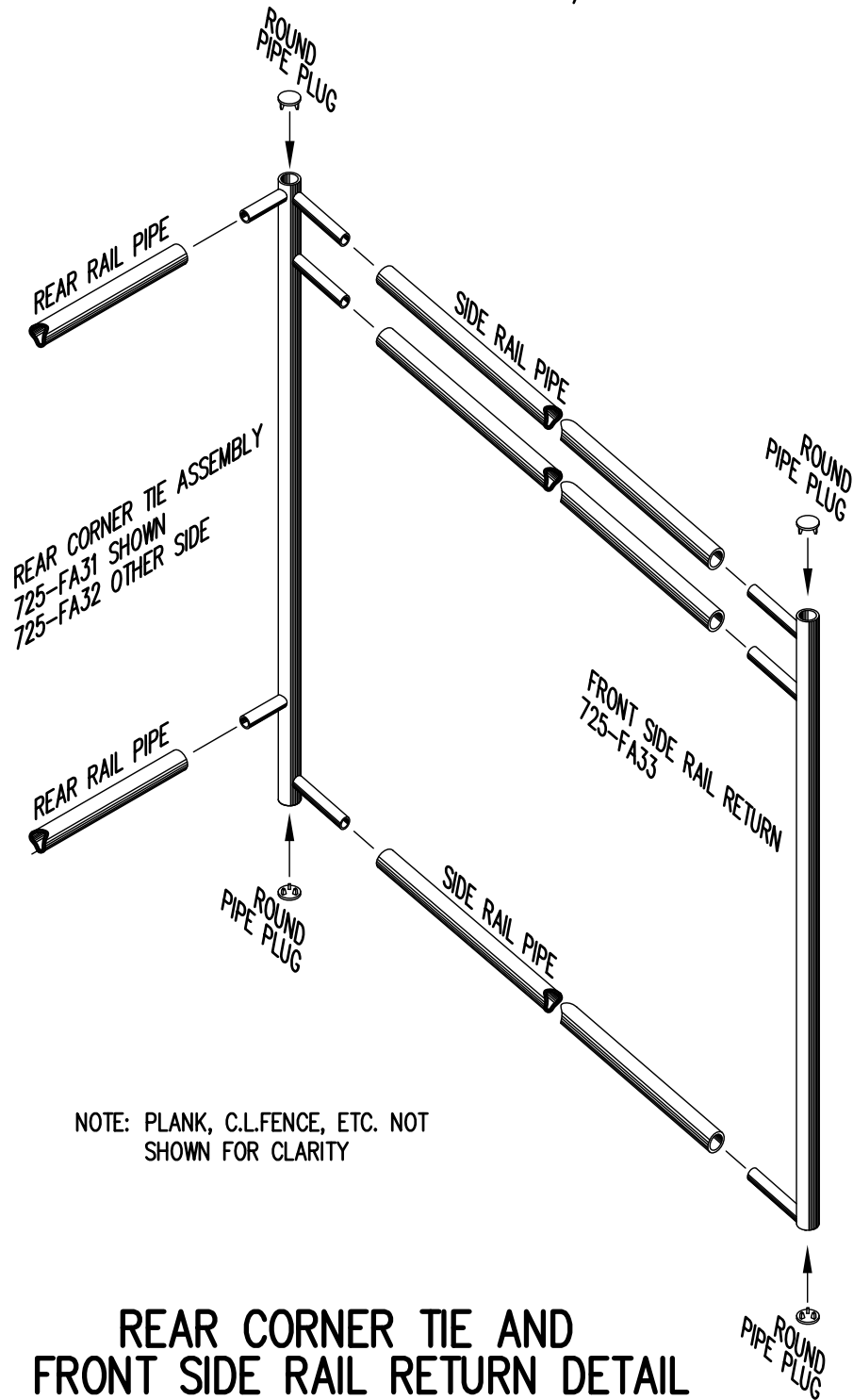
**END CAP DETAIL**

N.T.S.



**1 x 6 RISER END CAP**

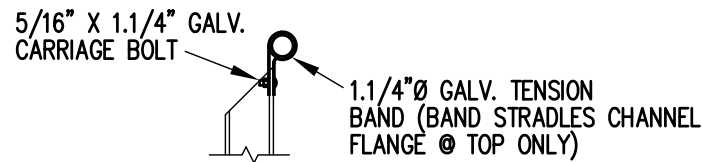
N.T.S.



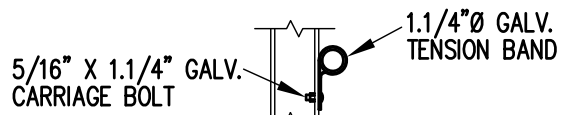
**REAR CORNER TIE AND FRONT SIDE RAIL RETURN DETAIL**

3/4" = 1'-0"

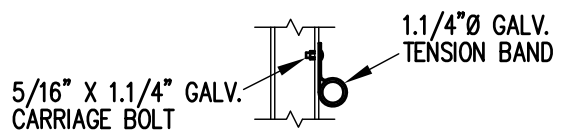
NOTE: PLANK, C.L.FENCE, ETC. NOT SHOWN FOR CLARITY



**TOP RAIL**

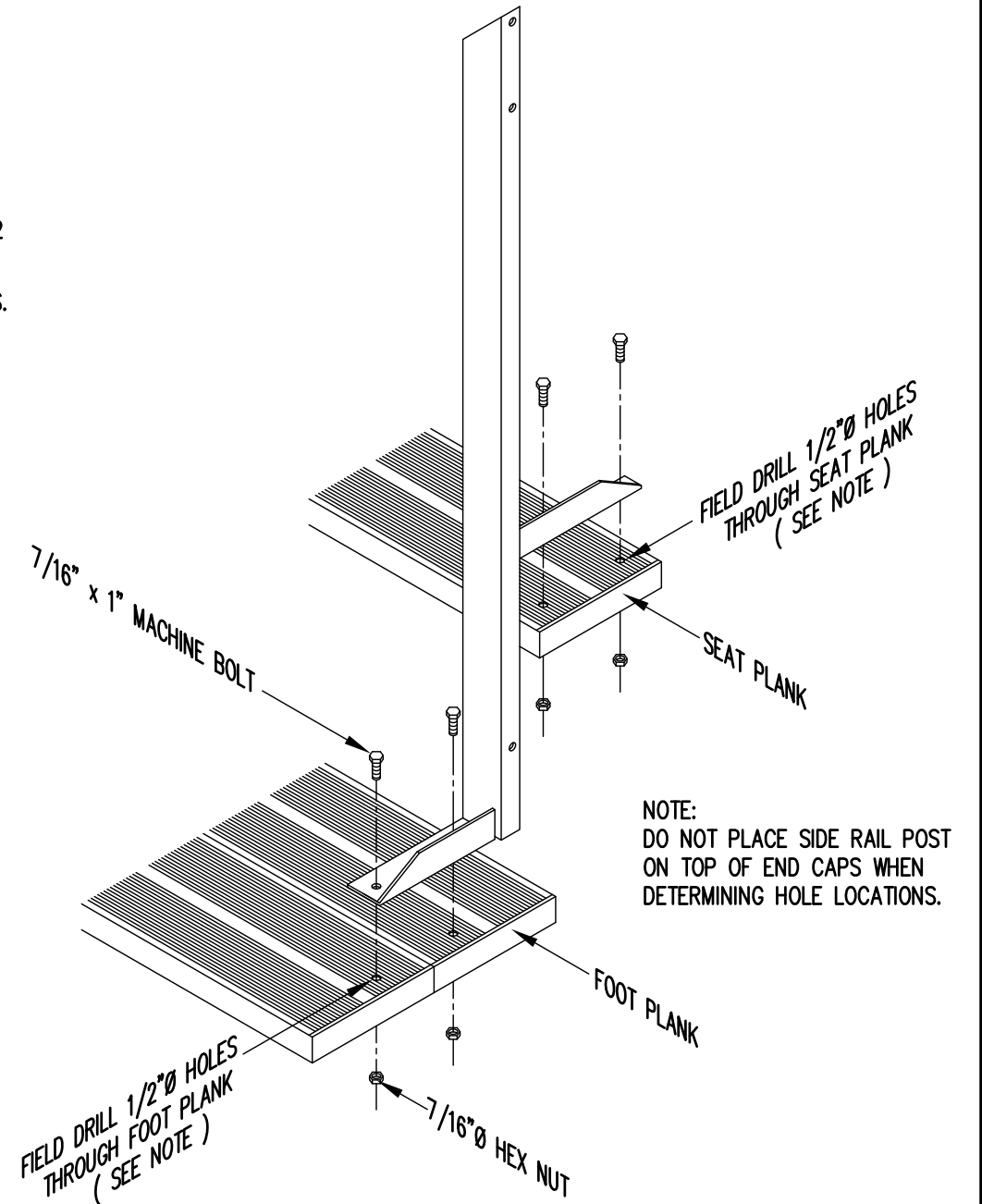


**2ND RAIL**



**BOTTOM RAIL**

**RAIL PIPE ATTACHMENT**



**TYP. SIDE RAIL POST ATTACHMENT**

1" = 1'-0"

NOTE: DO NOT PLACE SIDE RAIL POST ON TOP OF END CAPS WHEN DETERMINING HOLE LOCATIONS.

		P.O. BOX 118 GENEVA, ALABAMA 36340 334-684-2296		
		SCALE	AS NOTED	REVISIONS
DATE	11/2/11			
DR'N	ADK	CKD		
AP'VD				
TITLE			NO.	
TYPICAL DETAILS			784-E1990	