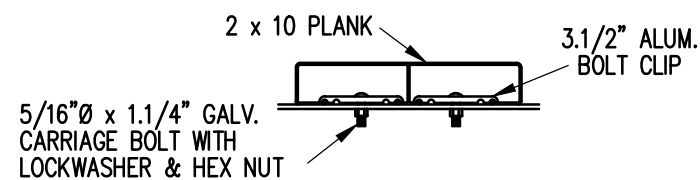


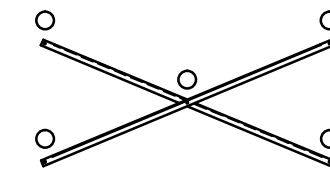
SEAT & FRAMING PLAN

1/4" = 1'-0"
 15 NET SEATS @ 18" PER SEAT



BOLT CLIP DETAIL

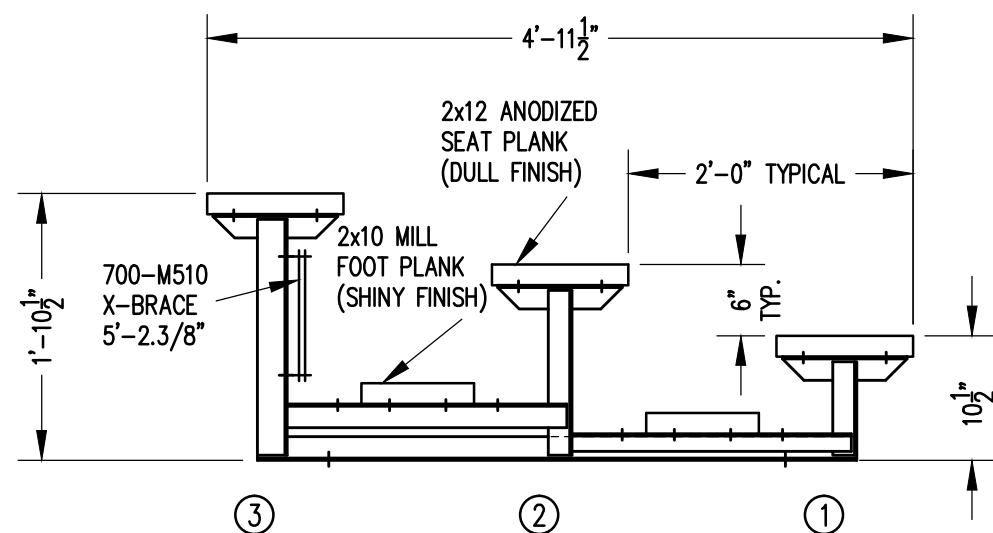
1.1/2" = 1'-0"



X-BRACE DETAIL

N.T.S.

○ 7/16" X 1" GALV. MACH. BOLT



SECTION AA

3/4" = 1'-0"

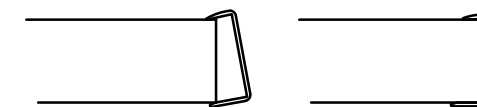


FIG.1

FIG.2

- 1) LOCATE THE CHANNEL END CAP AS SHOWN IN FIG. 1.
- 2) TAP END CAP INTO PLACE WITH RUBBER MALLET OR SOFT WOOD. FIG.2
- 3) DRILL 5/32" HOLES THROUGH THE BOTTOM FLANGE AND THE BOTTOM OUTSIDE PLANK FLANGES OF EACH PLANK. INSTALL 5/32" POP RIVETS.

END CAP DETAIL

N.T.S.

		P.O. BOX 118 GENEVA, ALABAMA 36340 334-684-2296	
		SCALE AS NOTED	REVISIONS
DATE	11/2/11		
DR'N	CDK CKD		
AP'VD			
TITLE			NO.
LDLW 3-7.5 SEATING/FRAMING PLAN			764-E1041