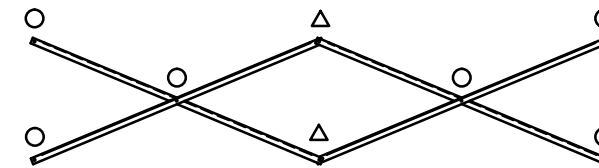


**SEAT & FRAMING PLAN**

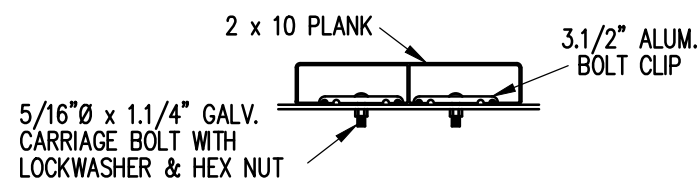
1/4" = 1'-0"  
40 NET SEATS @ 18" PER SEAT



**X-BRACE DETAIL**

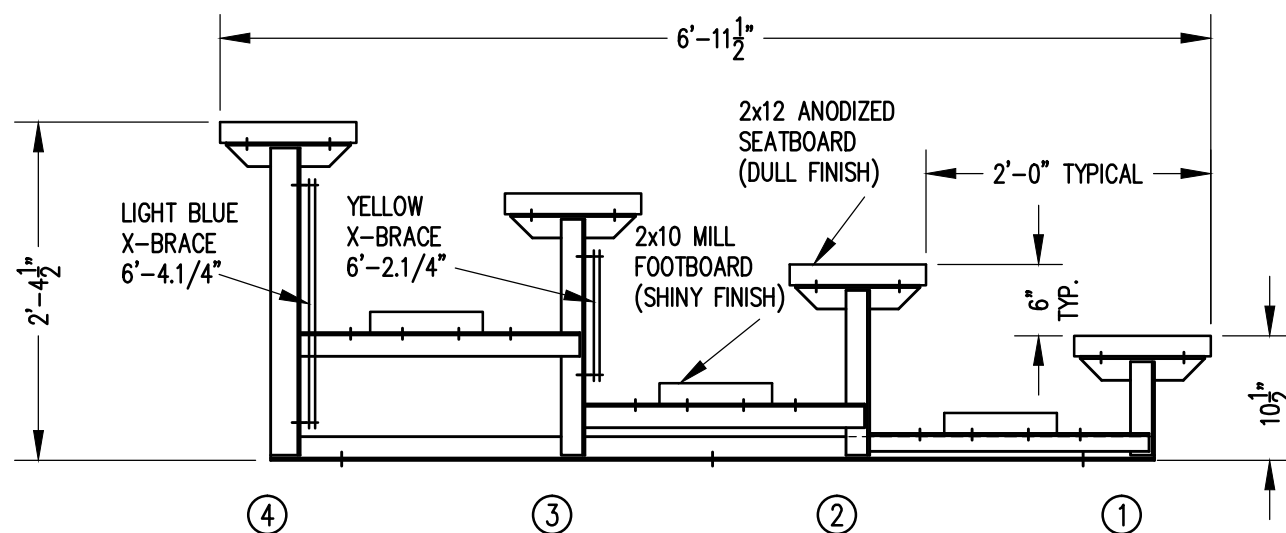
N.T.S.

- 7/16" X 1" GALV. MACH. BOLT
- △ 7/16" X 1.1/2" GALV. MACH. BOLT



**BOLT CLIP DETAIL**

1.1/2" = 1'-0"



**SECTION AA**

3/4" = 1'-0"

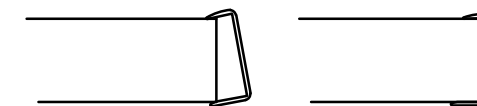


FIG.1

FIG.2

- 1) LOCATE THE CHANNEL END CAP AS SHOWN IN FIG. 1.
- 2) TAP END CAP INTO PLACE WITH RUBBER Mallet OR SOFT WOOD. FIG.2
- 3) DRILL 5/32" HOLES THROUGH THE BOTTOM FLANGE AND THE BOTTOM OUTSIDE PLANK FLANGES OF EACH PLANK. INSTALL 5/32" POP RIVETS.

**END CAP DETAIL**

N.T.S.

		P.O. BOX 118 GENEVA, ALABAMA 36340 334-684-2296	
		SCALE <b>AS NOTED</b>	REVISIONS
DATE	11/2/11		
DR'N	GDK CKD		
AP'VD			
TITLE			NO.
LDLW 4-15 SEATING/FRAMING PLAN			<b>764-E1076</b>