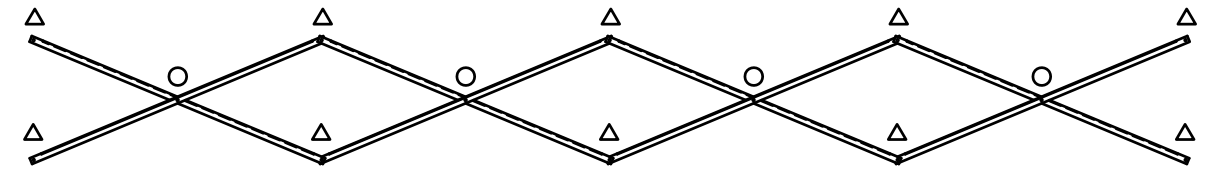


SEAT & FRAMING PLAN

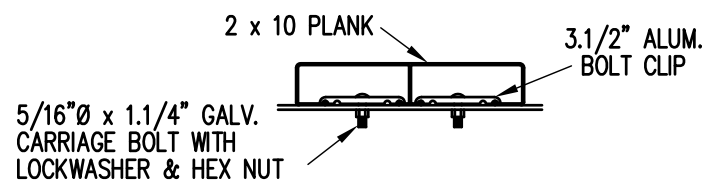
1/4" = 1'-0"
72 NET SEATS @ 18" PER SEAT



X-BRACE DETAIL

N.T.S.

- 7/16" X 1" GALV. MACH. BOLT
- △ 7/16" X 3" GALV. MACH. BOLT



BOLT CLIP DETAIL

1.1/2" = 1'-0"

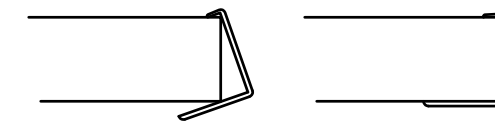


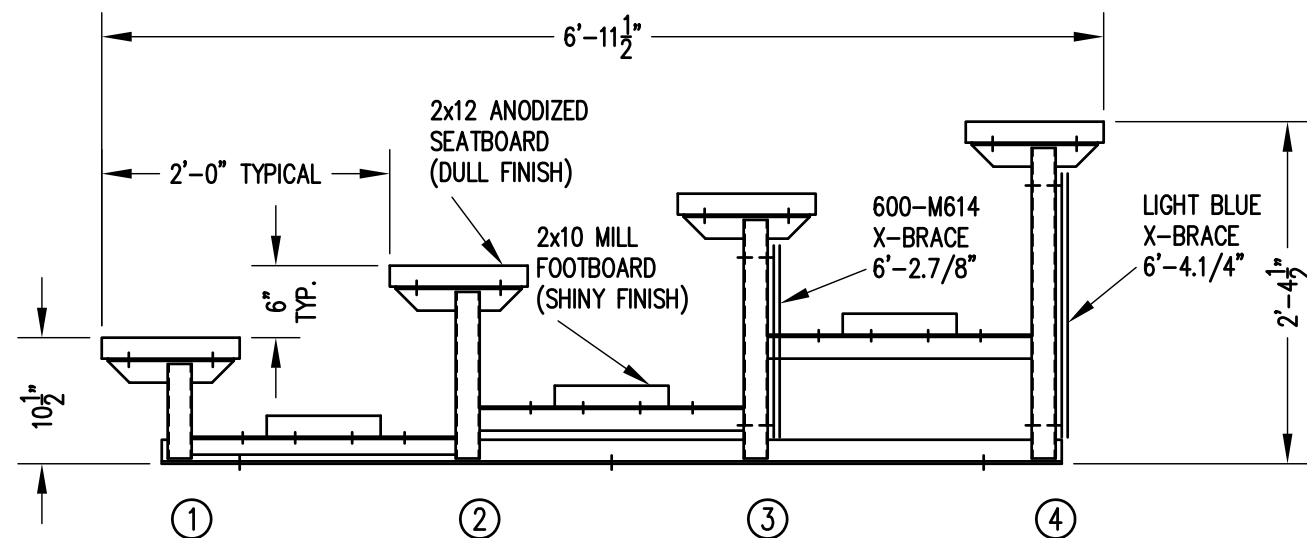
FIG.1

FIG.2

- 1) LOCATE THE CHANNEL END CAP AS SHOWN IN FIG. 1.
- 2) TAP END CAP INTO PLACE WITH RUBBER Mallet OR SOFT WOOD. FIG.2
- 3) DRILL TWO 5/32" HOLES THROUGH THE BOTTOM FLANGE AND THE BOTTOM OUTSIDE PLANK FLANGES. INSTALL TWO 3/16" DRIVE RIVETS. (2 PER PLANK)

END CAP DETAIL

N.T.S.



SECTION AA

3/4" = 1'-0"

		P.O. BOX 118 GENEVA, ALABAMA 36340 334-684-2296			
		SCALE	AS NOTED	REVISIONS	BY
DATE	02/02/09				
DR'N	W-W	CKD			
AP'VD					
TITLE				NO.	
LTSA 4-27 SEATING/FRAMING PLAN				864-E1086	