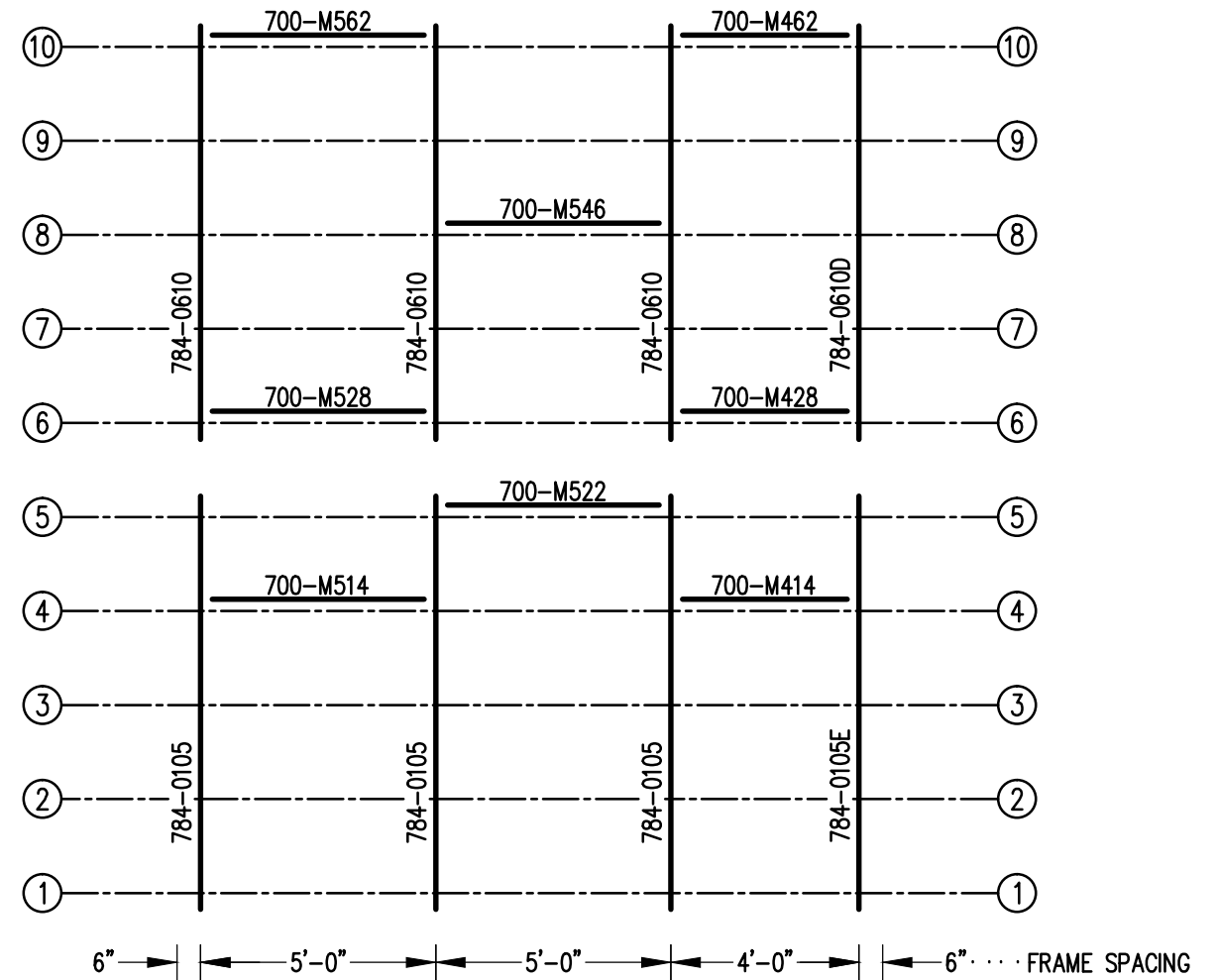


X-BRACE DETAIL

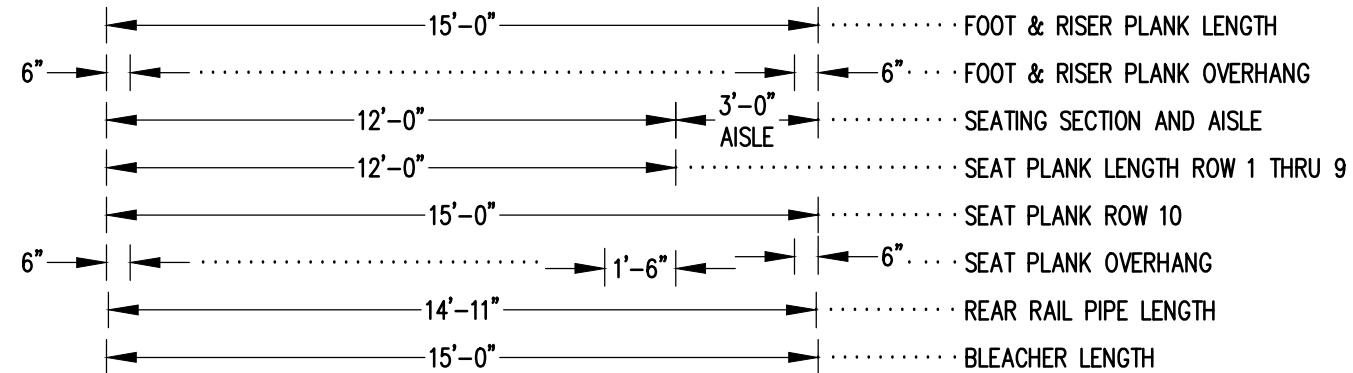
N.T.S.

- 7/16" X 1" GALV. MACH. BOLT
- △ 7/16" X 1.1/2" GALV. MACH. BOLT



FRAMING PLAN

1/4" = 1'-0"

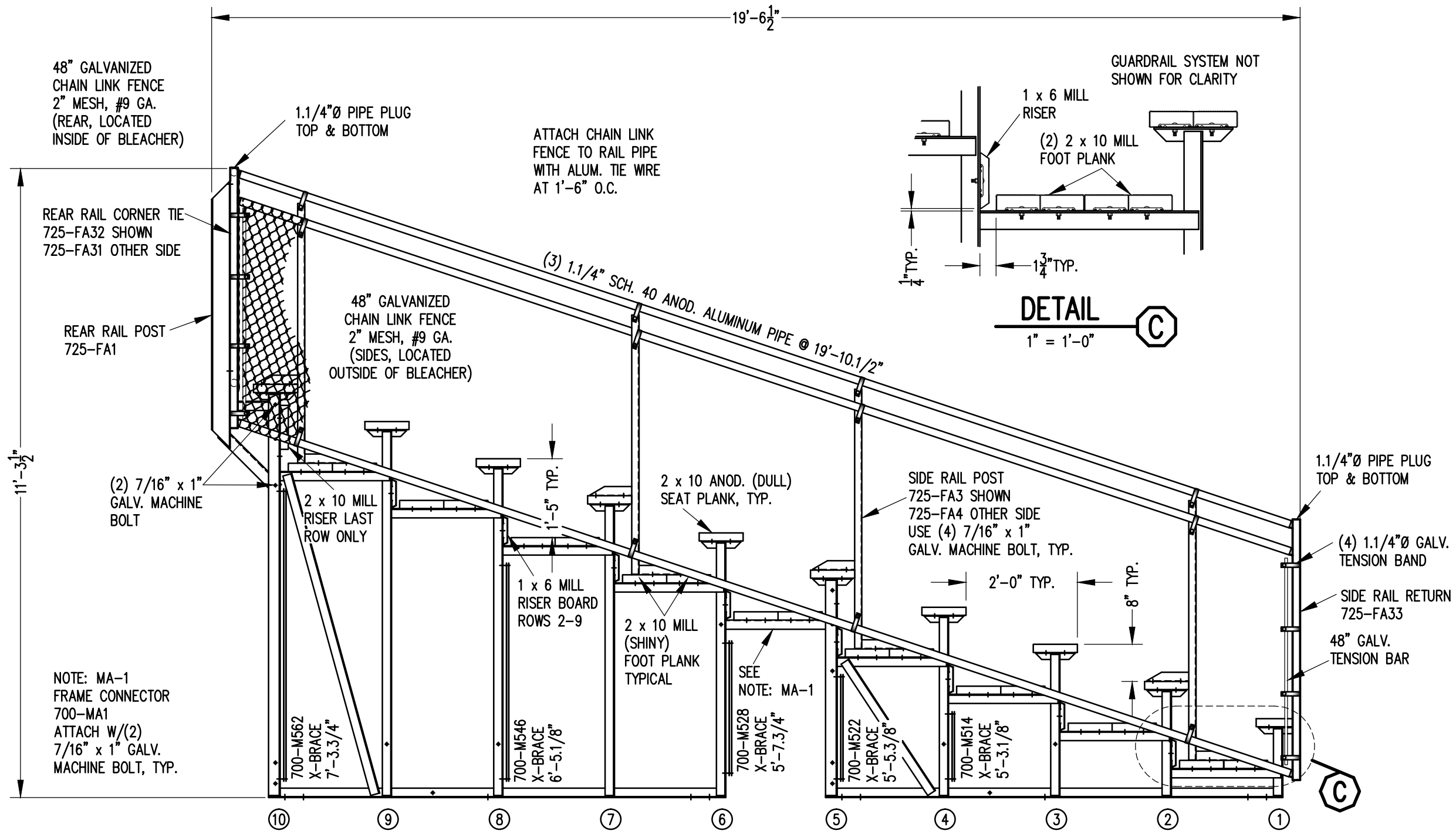


SEATING PLAN

1/4" = 1'-0"

82 NET SEATS @ 18" PER SEAT

		P.O. BOX 118 GENEVA, ALABAMA 36340 334-684-2296	
		SCALE AS NOTED	REVISIONS
DATE 11/2/11			
DR'N CDK	CKD		
AP'VD			
TITLE			NO.
DLW 10-15 SEATING/FRAMING PLAN W/ END AISLE			784-E2103



48" GALVANIZED
CHAIN LINK FENCE
2" MESH, #9 GA.
(REAR, LOCATED
INSIDE OF BLEACHER)

1.1/4"Ø PIPE PLUG
TOP & BOTTOM

ATTACH CHAIN LINK
FENCE TO RAIL PIPE
WITH ALUM. TIE WIRE
AT 1'-6" O.C.

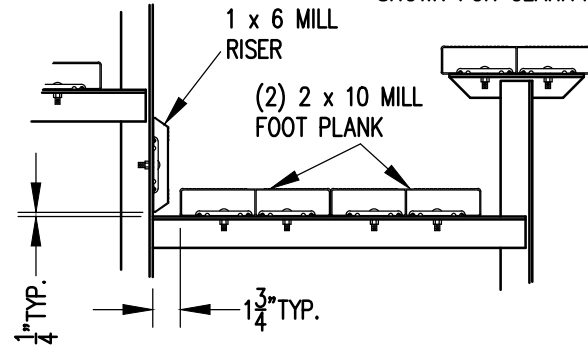
GUARDRAIL SYSTEM NOT
SHOWN FOR CLARITY

REAR RAIL CORNER TIE
725-FA32 SHOWN
725-FA31 OTHER SIDE

REAR RAIL POST
725-FA1

48" GALVANIZED
CHAIN LINK FENCE
2" MESH, #9 GA.
(SIDES, LOCATED
OUTSIDE OF BLEACHER)

(3) 1.1/4" SCH. 40 ANOD. ALUMINUM PIPE @ 19'-10.1/2"



DETAIL C
1" = 1'-0"

(2) 7/16" x 1"
GALV. MACHINE
BOLT

2 x 10 MILL
RISER LAST
ROW ONLY

2 x 10 ANOD. (DULL)
SEAT PLANK, TYP.

SIDE RAIL POST
725-FA3 SHOWN
725-FA4 OTHER SIDE
USE (4) 7/16" x 1"
GALV. MACHINE BOLT, TYP.

1.1/4"Ø PIPE PLUG
TOP & BOTTOM

(4) 1.1/4"Ø GALV.
TENSION BAND

SIDE RAIL RETURN
725-FA33

48" GALV.
TENSION BAR

NOTE: MA-1
FRAME CONNECTOR
700-MA1
ATTACH W/(2)
7/16" x 1" GALV.
MACHINE BOLT, TYP.

700-M562
X-BRACE
7'-3.3/4"

700-M546
X-BRACE
6'-5.1/8"

700-M528
X-BRACE
5'-7.3/4"
SEE NOTE: MA-1

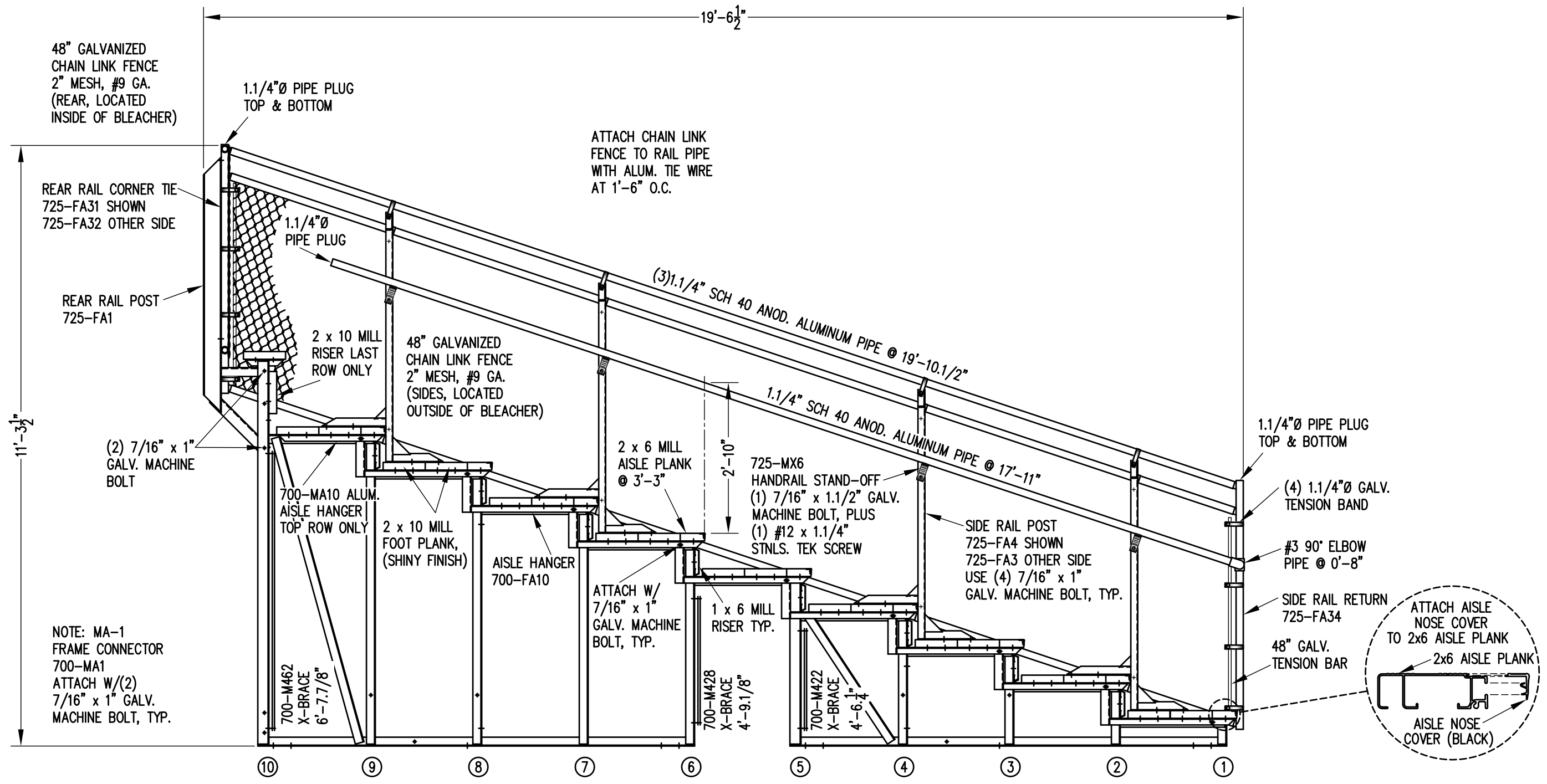
700-M522
X-BRACE
5'-5.3/8"

700-M514
X-BRACE
5'-3.1/8"

⑩ ⑨ ⑧ ⑦ ⑥ ⑤ ④ ③ ② ①

VIEW AA
1/2" = 1'-0"

		Outdoor Aluminum P.O. BOX 118 GENEVA, ALABAMA 36340 334-684-2296	
DATE 11/2/11			
DR'N CDK CKD			
AP'VD			
TITLE DLW 10 ROW VIEW (15'-0" W/ END AISLE)			NO. 784-E2125



48" GALVANIZED CHAIN LINK FENCE 2" MESH, #9 GA. (REAR, LOCATED INSIDE OF BLEACHER)

REAR RAIL CORNER TIE 725-FA31 SHOWN 725-FA32 OTHER SIDE

REAR RAIL POST 725-FA1

(2) 7/16" x 1" GALV. MACHINE BOLT

NOTE: MA-1 FRAME CONNECTOR 700-MA1 ATTACH W/(2) 7/16" x 1" GALV. MACHINE BOLT, TYP.

1.1/4"Ø PIPE PLUG TOP & BOTTOM

1.1/4"Ø PIPE PLUG

2 x 10 MILL RISER LAST ROW ONLY

700-MA10 ALUM. AISLE HANGER TOP ROW ONLY

700-M462 X-BRACE 6'-7.7/8"

2 x 10 MILL FOOT PLANK, (SHINY FINISH)

9

48" GALVANIZED CHAIN LINK FENCE 2" MESH, #9 GA. (SIDES, LOCATED OUTSIDE OF BLEACHER)

AISLE HANGER 700-FA10

8

ATTACH CHAIN LINK FENCE TO RAIL PIPE WITH ALUM. TIE WIRE AT 1'-6" O.C.

2 x 6 MILL AISLE PLANK @ 3'-3"

ATTACH W/ 7/16" x 1" GALV. MACHINE BOLT, TYP.

7

19'-6.1/2"

(3) 1.1/4" SCH 40 ANOD. ALUMINUM PIPE @ 19'-10.1/2"

1.1/4" SCH 40 ANOD. ALUMINUM PIPE @ 17'-11"

1 x 6 MILL RISER TYP.

SECTION BB

1/2" = 1'-0"

700-M428 X-BRACE 4'-9.1/8"

6

725-MX6 HANDRAIL STAND-OFF (1) 7/16" x 1.1/2" GALV. MACHINE BOLT, PLUS (1) #12 x 1.1/4" STNLS. TEK SCREW

700-M422 X-BRACE 4'-6.1/4"

5

SIDE RAIL POST 725-FA4 SHOWN 725-FA3 OTHER SIDE USE (4) 7/16" x 1" GALV. MACHINE BOLT, TYP.

4

1.1/4"Ø PIPE PLUG TOP & BOTTOM

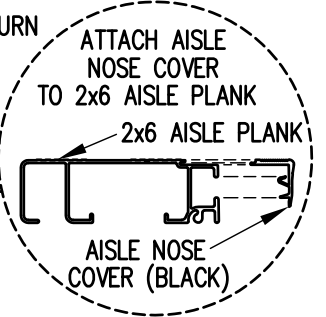
(4) 1.1/4"Ø GALV. TENSION BAND

#3 90° ELBOW PIPE @ 0'-8"

SIDE RAIL RETURN 725-FA34

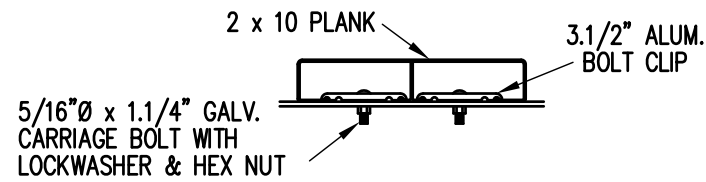
48" GALV. TENSION BAR

1



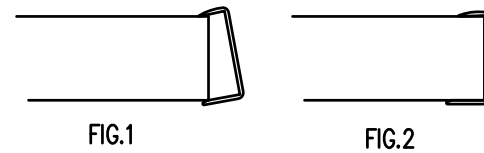
NOTE: ALL AISLE HANGERS - TWO PER LOCATION REQUIRED, TYPICAL

		P.O. BOX 118 GENEVA, ALABAMA 36340 334-684-2296			
		SCALE AS NOTED	REVISIONS	BY	DATE
DATE	11/2/11				
DR'N	ADK	CKD			
AP'VD					
TITLE				NO.	
DLW 10 ROW SECTION (15'-0" W/ END AISLE)				784-E2126	



BOLT CLIP DETAIL

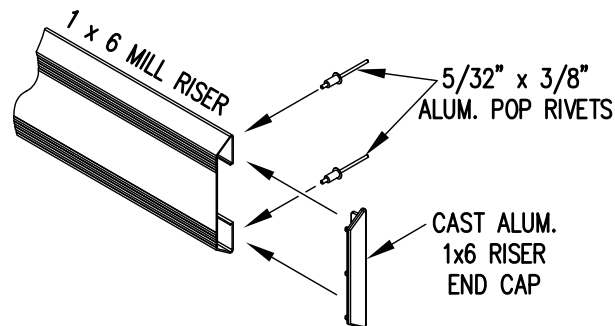
1.1/2" = 1'-0"



- 1) LOCATE THE CHANNEL END CAP AS SHOWN IN FIG. 1.
- 2) TAP END CAP INTO PLACE WITH RUBBER Mallet OR SOFT WOOD. FIG.2
- 3) DRILL 5/32" HOLES THROUGH THE BOTTOM FLANGE AND THE BOTTOM OUTSIDE PLANK FLANGES OF EACH PLANK. INSTALL 5/32" POP RIVETS.

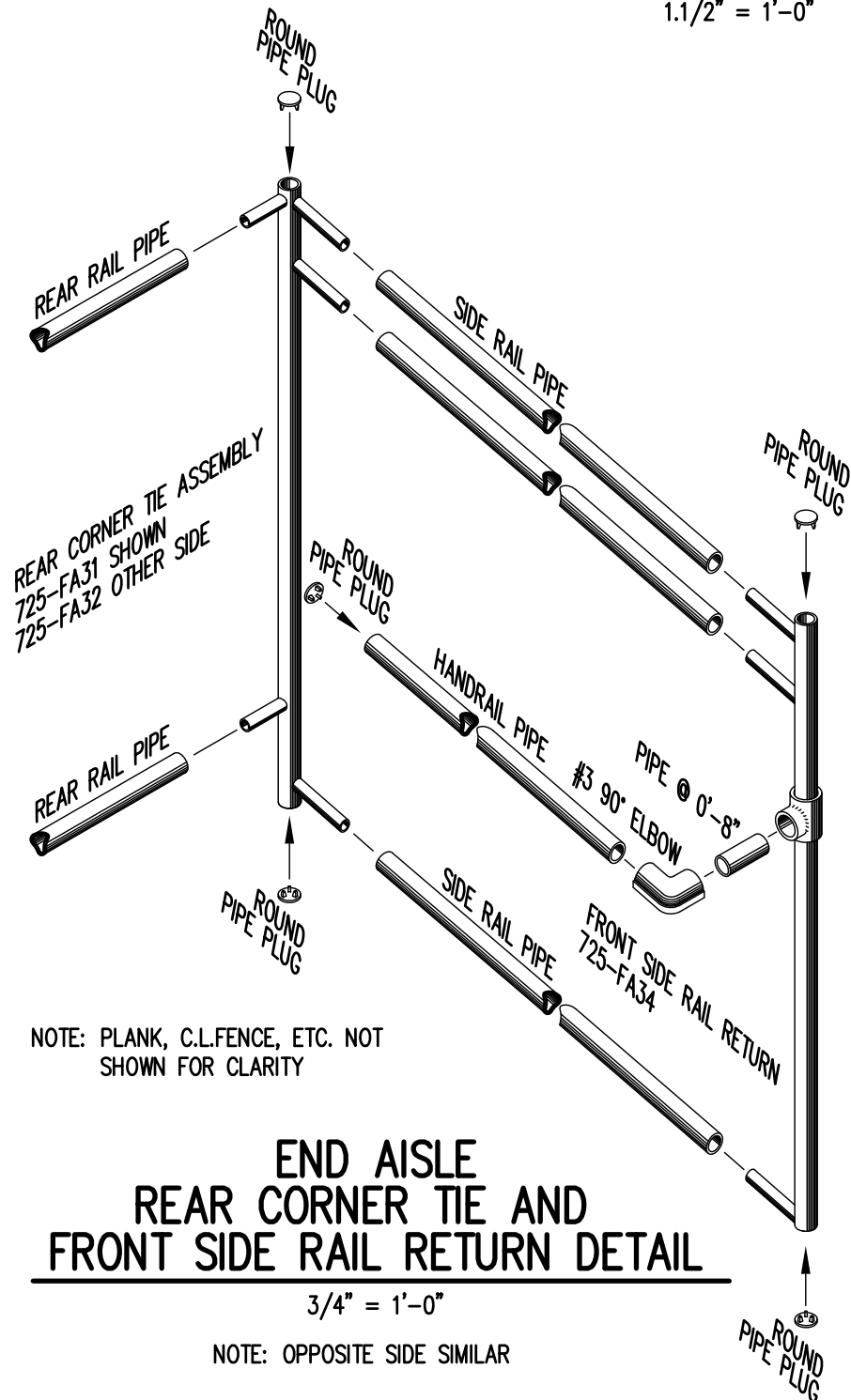
END CAP DETAIL

N.T.S.



1 x 6 RISER END CAP

N.T.S.

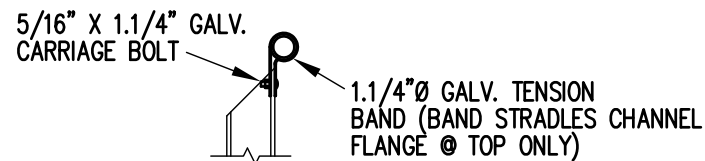


NOTE: PLANK, C.L.FENCE, ETC. NOT SHOWN FOR CLARITY

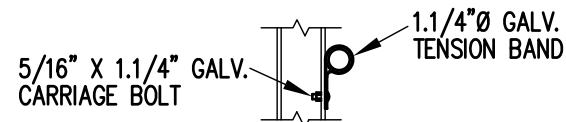
END AISLE REAR CORNER TIE AND FRONT SIDE RAIL RETURN DETAIL

3/4" = 1'-0"

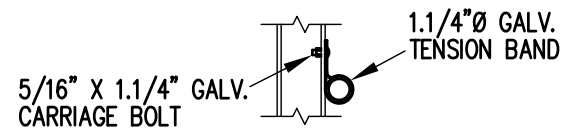
NOTE: OPPOSITE SIDE SIMILAR



TOP RAIL

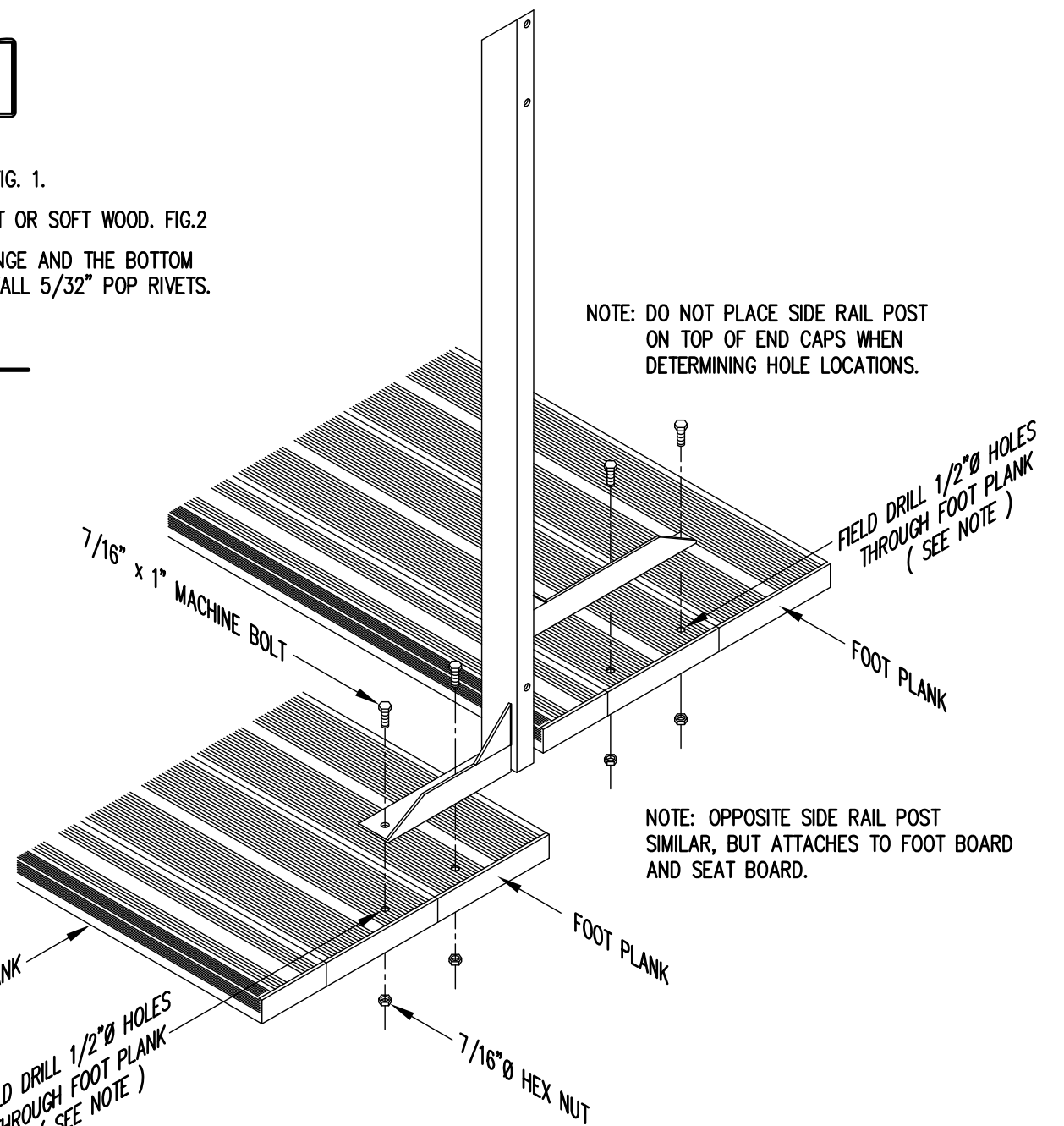


2ND RAIL



BOTTOM RAIL

RAIL PIPE ATTACHMENT



NOTE: DO NOT PLACE SIDE RAIL POST ON TOP OF END CAPS WHEN DETERMINING HOLE LOCATIONS.

NOTE: OPPOSITE SIDE RAIL POST SIMILAR, BUT ATTACHES TO FOOT BOARD AND SEAT BOARD.

TYP. SIDE RAIL POST ATTACHMENT AT END AISLE

1" = 1'-0"

		P.O. BOX 118 GENEVA, ALABAMA 36340 334-684-2296			
		SCALE AS NOTED	REVISIONS	BY	DATE
DATE	11/2/11				
DR'N	CDK	CKD			
AP'VD					
TITLE				NO.	
TYPICAL DETAILS W/ END AISLE				784-E2000	