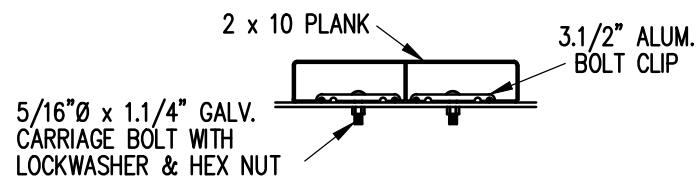


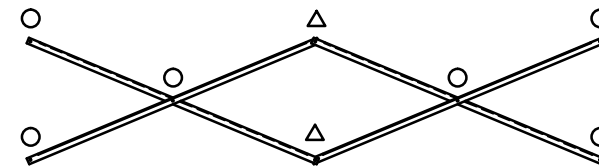
**SEAT & FRAMING PLAN**

1/4" = 1'-0"  
30 NET SEATS @ 18" PER SEAT



**BOLT CLIP DETAIL**

1.1/2" = 1'-0"



**X-BRACE DETAIL**

N.T.S.

- 7/16" X 1" GALV. MACH. BOLT
- △ 7/16" X 1.1/2" GALV. MACH. BOLT

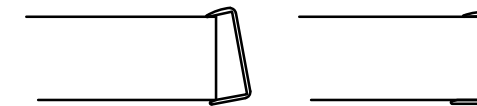


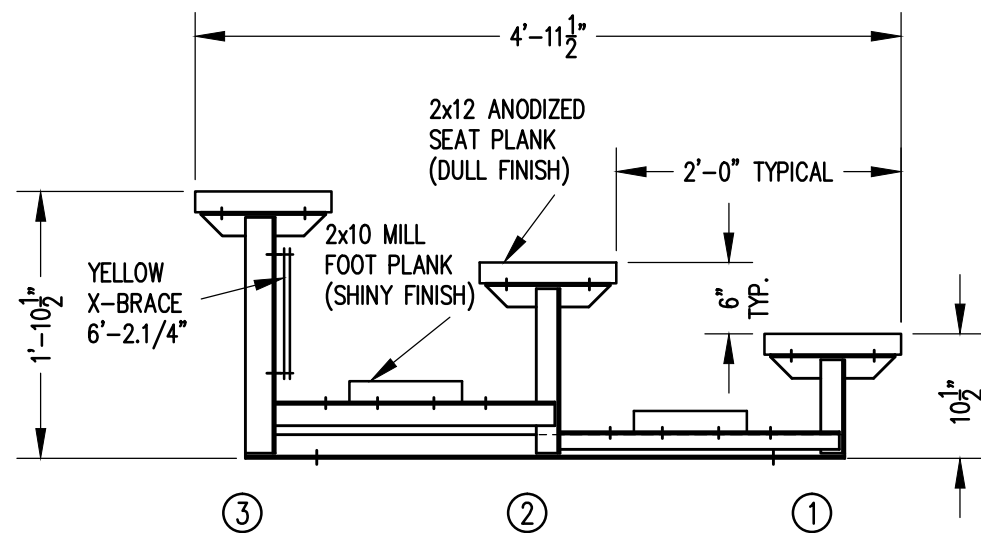
FIG.1

FIG.2

- 1) LOCATE THE CHANNEL END CAP AS SHOWN IN FIG. 1.
- 2) TAP END CAP INTO PLACE WITH RUBBER Mallet OR SOFT WOOD. FIG.2
- 3) DRILL 5/32" HOLES THROUGH THE BOTTOM FLANGE AND THE BOTTOM OUTSIDE PLANK FLANGES OF EACH PLANK. INSTALL 5/32" POP RIVETS.

**END CAP DETAIL**

N.T.S.



**SECTION AA**

3/4" = 1'-0"

		<b>Outdoor Aluminum</b> P.O. BOX 118 GENEVA, ALABAMA 36340 334-684-2296	
DATE <b>11/2/11</b>			
DR'N <b>CDK</b>	CKD		
AP'VD			
TITLE			NO.
LDLW 3-15 SEATING/FRAMING PLAN			<b>764-E1051</b>