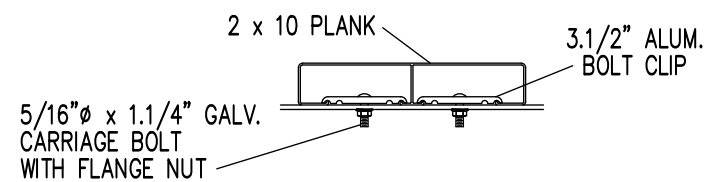


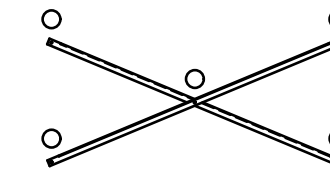
### SEAT & FRAMING PLAN

1/4" = 1'-0"  
 18 NET SEATS @ 18" PER SEAT



### BOLT CLIP DETAIL

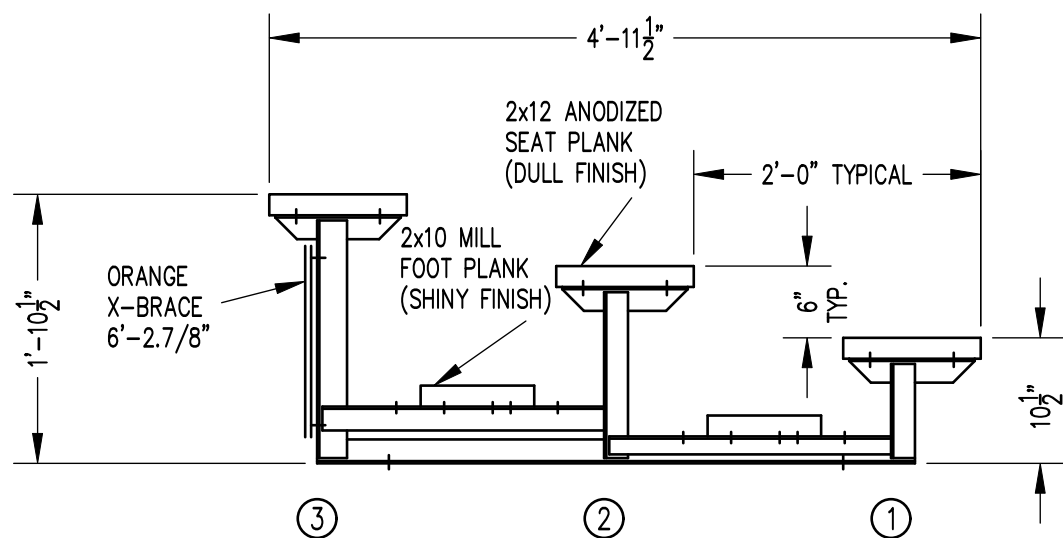
1.1/2" = 1'-0"



### X-BRACE DETAIL

N.T.S.

○ 7/16" X 1" GALV. MACH. BOLT



### SECTION AA

3/4" = 1'-0"

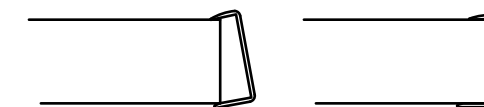



FIG.1

FIG.2

- 1) LOCATE THE CHANNEL END CAP AS SHOWN IN FIG. 1.
- 2) TAP END CAP INTO PLACE WITH RUBBER Mallet OR SOFT WOOD. FIG.2
- 3) DRILL 5/32" HOLES THROUGH THE BOTTOM FLANGE AND THE BOTTOM OUTSIDE PLANK FLANGES OF EACH PLANK. INSTALL 5/32" POP RIVETS.

### END CAP DETAIL

N.T.S.

		<b>Outdoor Aluminum</b> <small>P.O. BOX 118          GENEVA, ALABAMA 36340          334-684-2296</small>		
		SCALE	AS NOTED	REVISIONS
DATE	12/3/08	UPDATED TO 700 SERIES STANDARDS	GDK	02/13
DR'N	JAW CKD	ADJUSTED FOR FLANGE NUT	GDK	5/24
AP'VD				
TITLE				NO.
LSG 3-9 SEATING/FRAMING PLAN				564-E1046