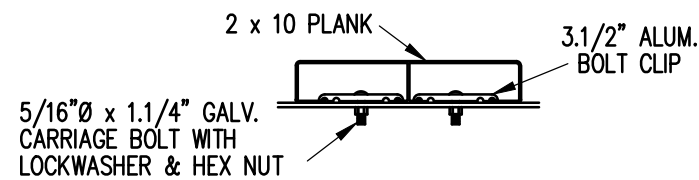


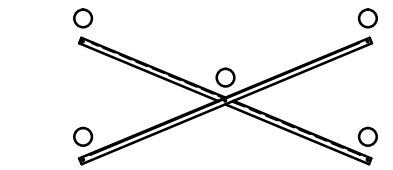
**SEAT & FRAMING PLAN**

1/4" = 1'-0"  
24 NET SEATS @ 18" PER SEAT



**BOLT CLIP DETAIL**

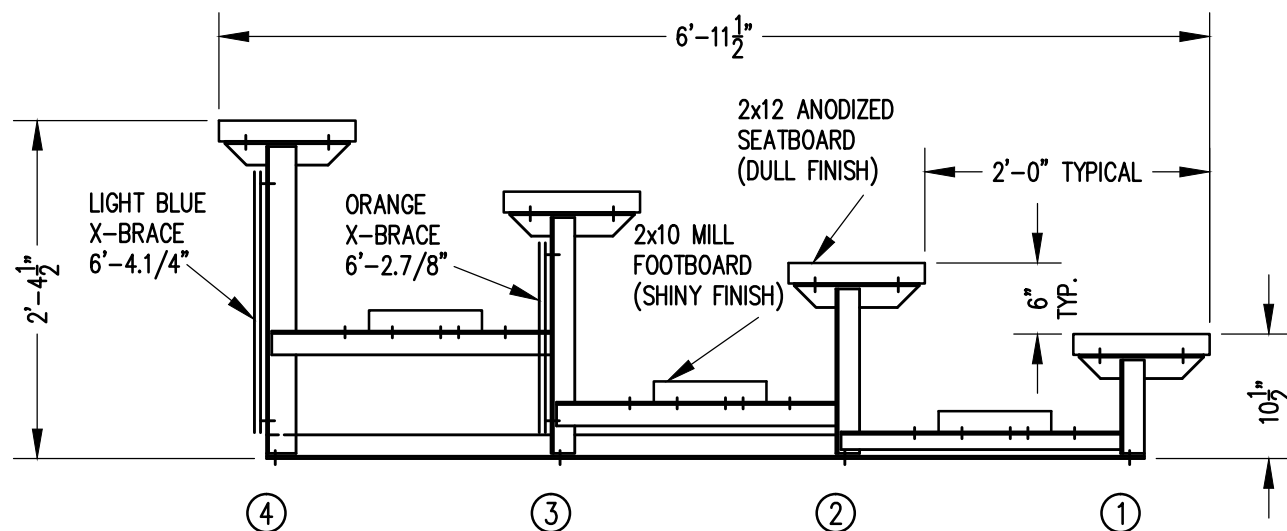
1.1/2" = 1'-0"



**X-BRACE DETAIL**

N.T.S.

○ 7/16" X 1" GALV. MACH. BOLT



**SECTION AA**

3/4" = 1'-0"

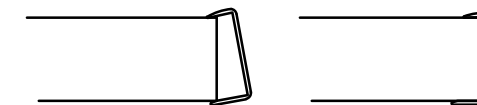



FIG.1

FIG.2

- 1) LOCATE THE CHANNEL END CAP AS SHOWN IN FIG. 1.
- 2) TAP END CAP INTO PLACE WITH RUBBER Mallet OR SOFT WOOD. FIG.2
- 3) DRILL 5/32" HOLES THROUGH THE BOTTOM FLANGE AND THE BOTTOM OUTSIDE PLANK FLANGES OF EACH PLANK. INSTALL 5/32" POP RIVETS.

**END CAP DETAIL**

N.T.S.

		<b>Outdoor Aluminum</b> P.O. BOX 118 GENEVA, ALABAMA 36340 334-684-2296			
				SCALE	AS NOTED
DATE	12/3/08	UPDATED TO 700 SERIES STANDARDS		GDK	02/13
DR'N	JAW	CKD			
AP'VD					
TITLE				NO.	
LSG 4-9 SEATING/FRAMING PLAN				564-E1071	