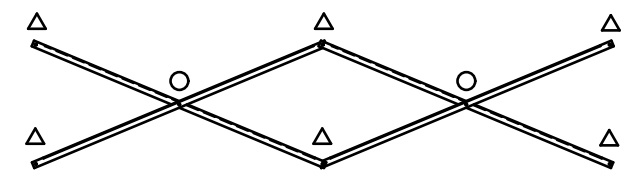
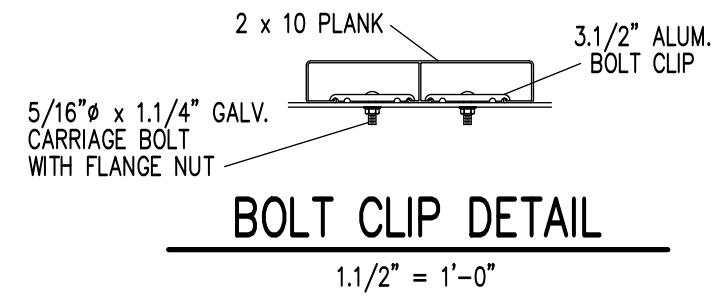
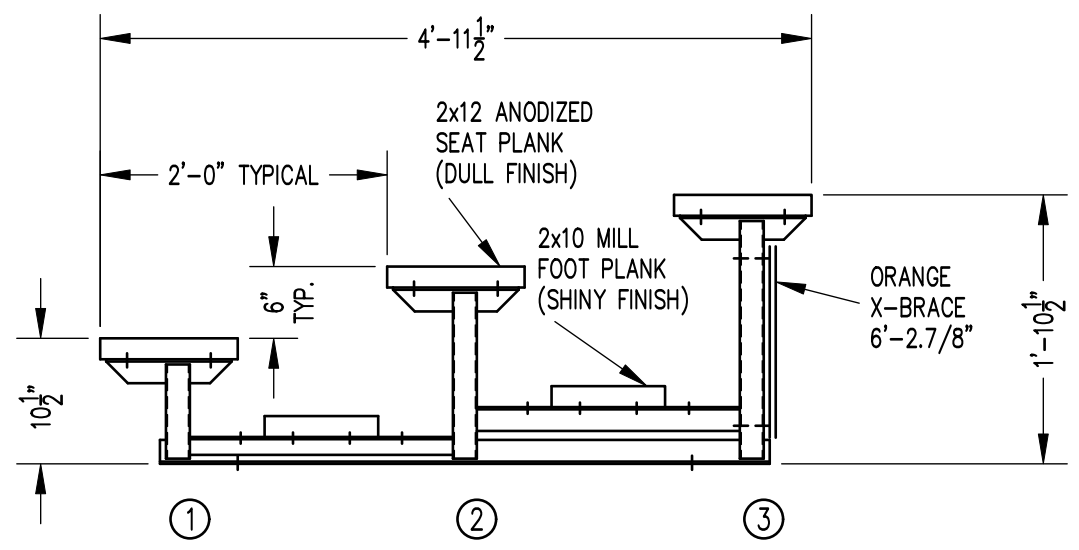


**SEAT & FRAMING PLAN**  
 1/4" = 1'-0"  
 30 NET SEATS @ 18" PER SEAT

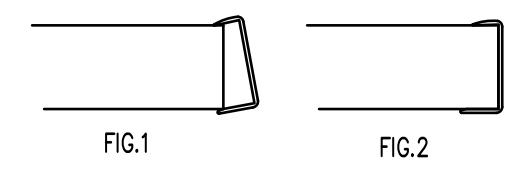


**X-BRACE DETAIL**  
 N.T.S.

- 7/16" X 1" GALV. MACH. BOLT
- △ 7/16" X 3" GALV. MACH. BOLT



**SECTION AA**  
 3/4" = 1'-0"



- 1) LOCATE THE CHANNEL END CAP AS SHOWN IN FIG. 1.
- 2) TAP END CAP INTO PLACE WITH RUBBER Mallet OR SOFT WOOD. FIG.2
- 3) DRILL 5/32" HOLES THROUGH THE BOTTOM FLANGE AND THE BOTTOM OUTSIDE PLANK FLANGES OF EACH PLANK. INSTALL 5/32" POP RIVETS.

**END CAP DETAIL**  
 N.T.S.

		<b>Outdoor Aluminum</b> P.O. BOX 118 GENEVA, ALABAMA 36340 334-684-2296		
				SCALE AS NOTED
DATE	02/02/09	UPDATED TO 700 SERIES STANDARDS	GDK	02/13
DR'N	WHW CKD	ADJUSTED FOR FLANGE NUTS	GDK	5/24
AP'VD				
TITLE			NO.	
LTSA 3-15 SEATING/FRAMING PLAN			864-E1051	