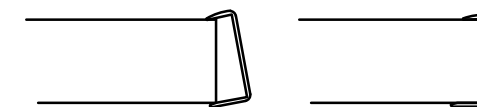
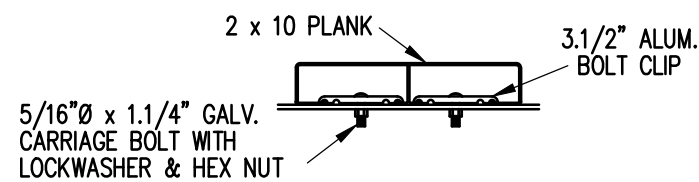


**SEAT & FRAMING PLAN**

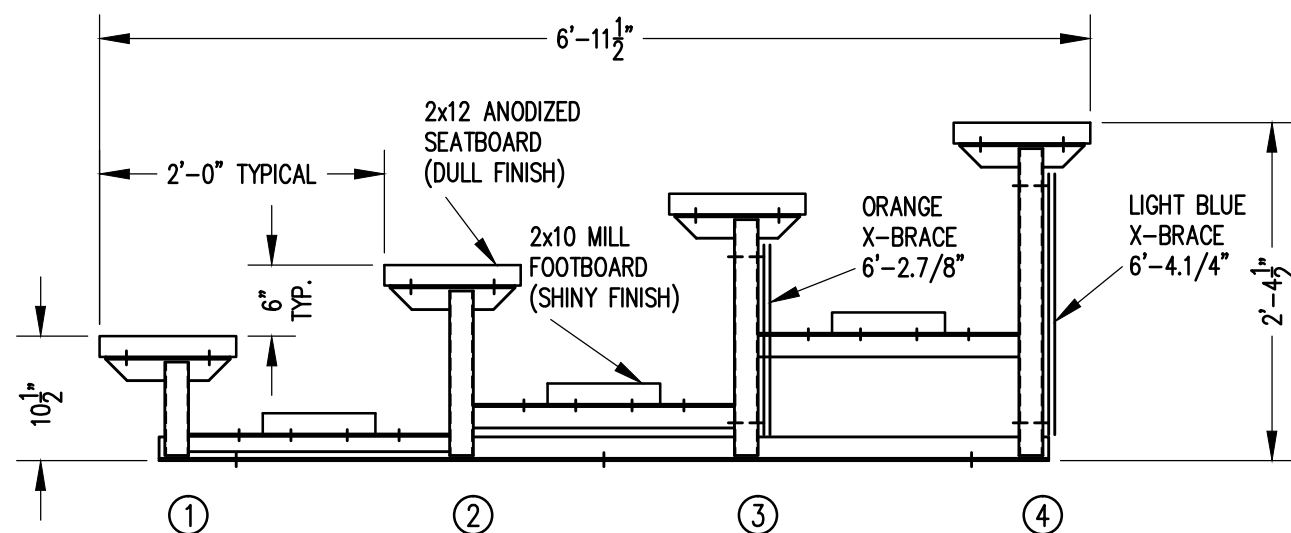
1/4" = 1'-0"  
72 NET SEATS @ 18" PER SEAT



- 1) LOCATE THE CHANNEL END CAP AS SHOWN IN FIG. 1.
- 2) TAP END CAP INTO PLACE WITH RUBBER Mallet OR SOFT WOOD. FIG.2
- 3) DRILL 5/32" HOLES THROUGH THE BOTTOM FLANGE AND THE BOTTOM OUTSIDE PLANK FLANGES OF EACH PLANK. INSTALL 5/32" POP RIVETS.

**END CAP DETAIL**

N.T.S.



**SECTION AA**

3/4" = 1'-0"

|                                |                                 |   |           |       |
|--------------------------------|---------------------------------|---|-----------|-------|
|                                |                                 | P.O. BOX 118<br>GENEVA, ALABAMA 36340<br>334-684-2296 |           |       |
|                                |                                 | SCALE AS NOTED  | REVISIONS | BY    |
| DATE 02/02/09                  | UPDATED TO 700 SERIES STANDARDS |   | GDK       | 02/13 |
| DR'N WHW                       | CKD                             |   |           |       |
| AP'VD                          |                                 |   |           |       |
| TITLE                          |                                 |   | NO.       |       |
| LTSA 4-27 SEATING/FRAMING PLAN |                                 |   | 864-E1086 |       |