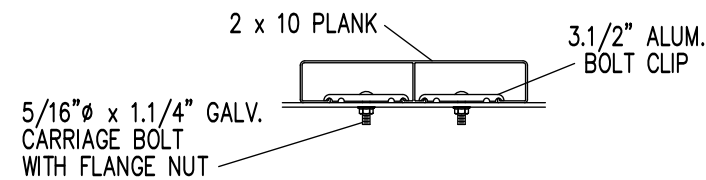


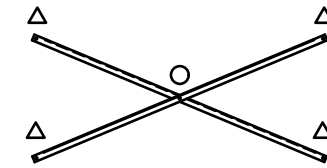
SEAT & FRAMING PLAN

1/4" = 1'-0"
20 NET SEATS @ 18" PER SEAT



BOLT CLIP DETAIL

1.1/2" = 1'-0"



X-BRACE DETAIL

N.T.S.

- 7/16" X 1" GALV. MACH. BOLT
- △ 7/16" X 3" GALV. MACH. BOLT

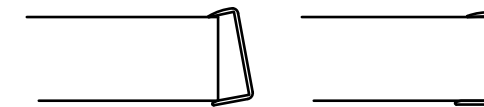


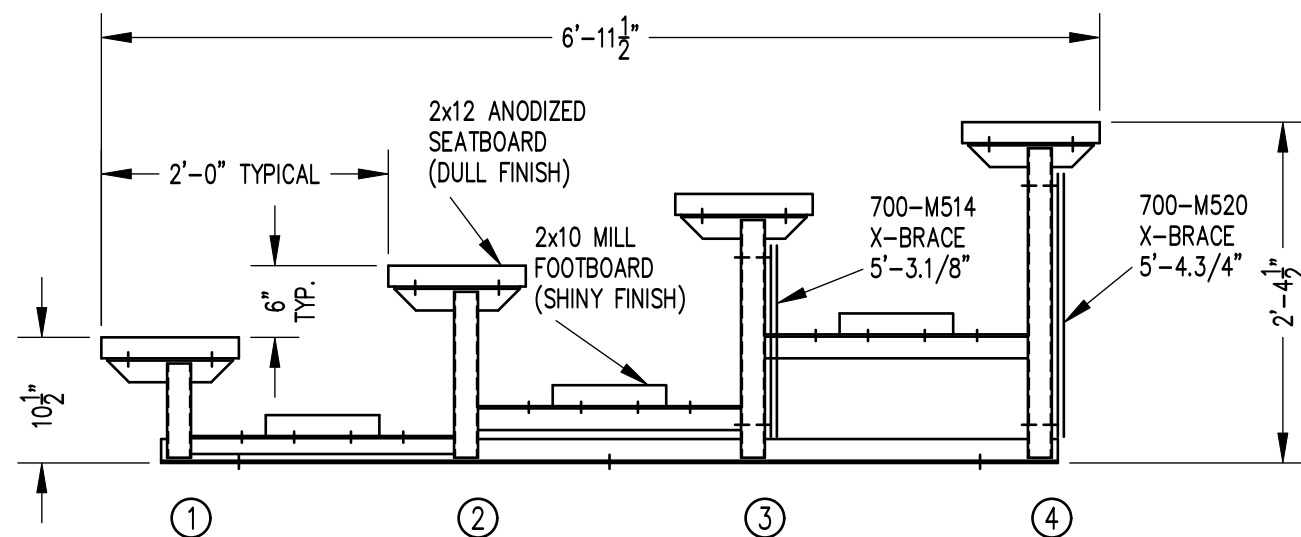
FIG.1

FIG.2

- 1) LOCATE THE CHANNEL END CAP AS SHOWN IN FIG. 1.
- 2) TAP END CAP INTO PLACE WITH RUBBER Mallet OR SOFT WOOD. FIG.2
- 3) DRILL 5/32" HOLES THROUGH THE BOTTOM FLANGE AND THE BOTTOM OUTSIDE PLANK FLANGES OF EACH PLANK. INSTALL 5/32" POP RIVETS.


END CAP DETAIL

N.T.S.



SECTION AA

3/4" = 1'-0"

		Outdoor Aluminum		P.O. BOX 118 GENEVA, ALABAMA 36340 334-684-2296	
		SCALE	AS NOTED	REVISIONS	BY
DATE	02/02/09	UPDATED TO 700 SERIES STANDARDS	GDK	02/13	
DR'N	WHW	CKD	ADJUSTED FOR FLANGE NUTS	GDK	5/24
AP'VD					
TITLE					NO.
LTSA 4-7.5 SEATING/FRAMING PLAN					864-E1066