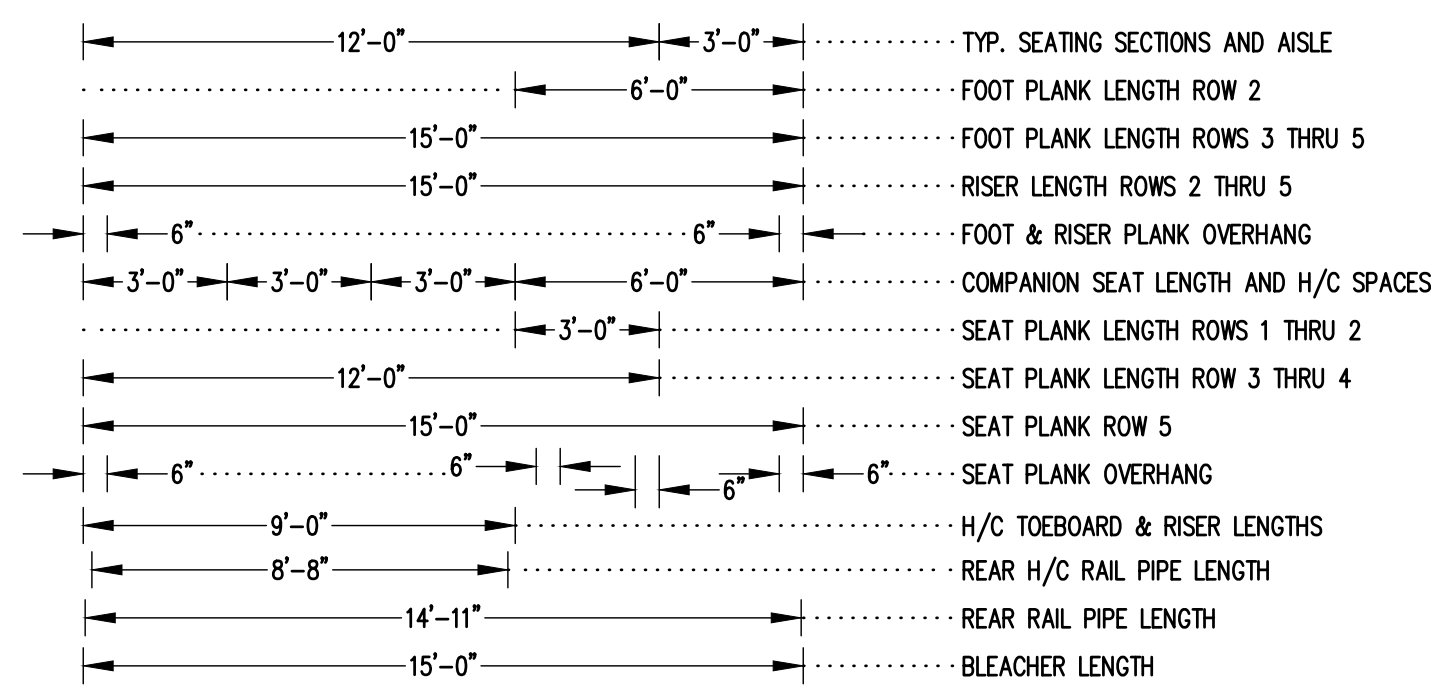
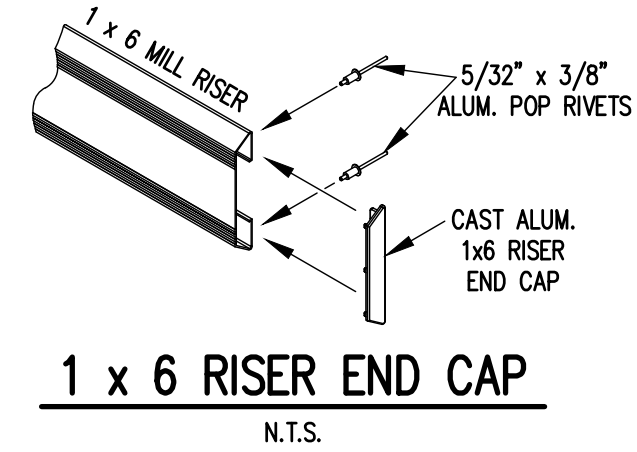
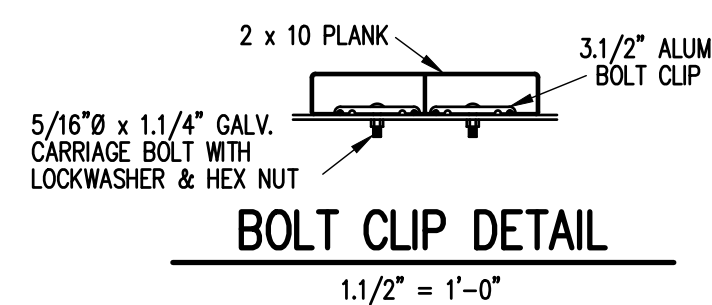


BOLT CLIP SCHEDULE	
3 1/2" BOLT CLIP REQUIRED FOR	2 1/2" BOLT CLIP REQUIRED FOR
2 x 10 PLANK	2 x 4 PLANK
1 x 6 RISER	2 x 6 AISLE

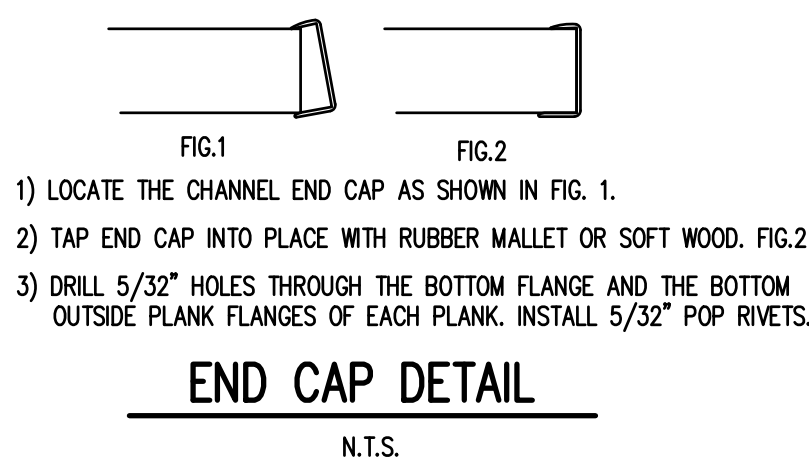


**SEATING PLAN**

1/4" = 1'-0"  
 30 NET SEATS @ 18" PER SEAT  
 2 WHEELCHAIRS @ 36"  
 2 COMPANION SEATS @ 18"  
 34 TOTAL

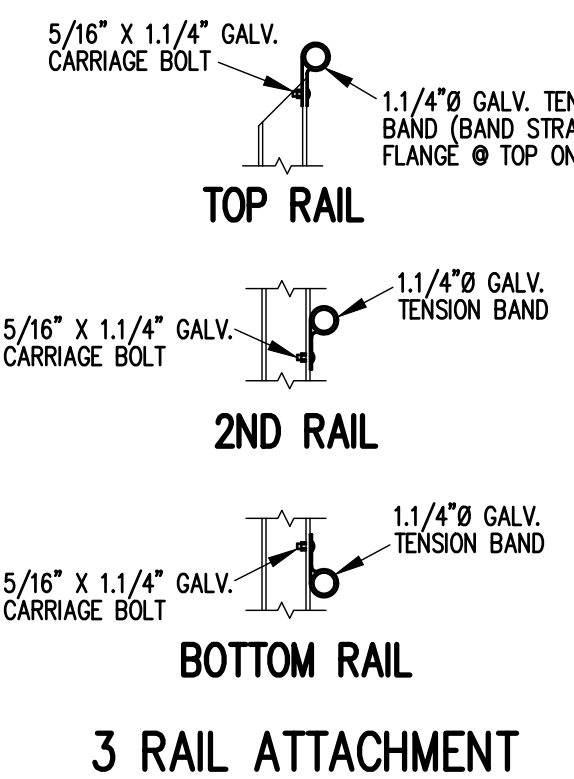


**1 x 6 RISER END CAP**

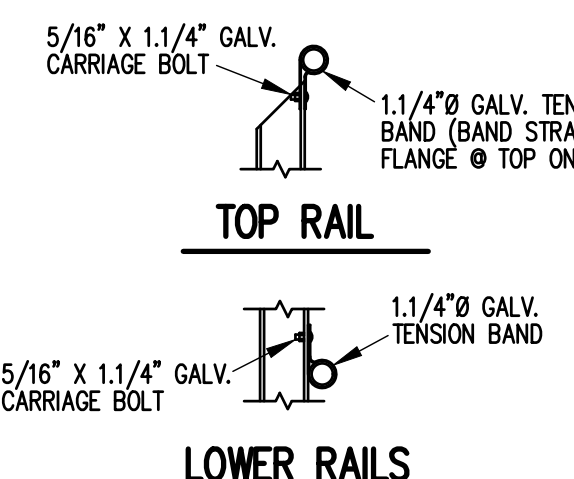


**END CAP DETAIL**

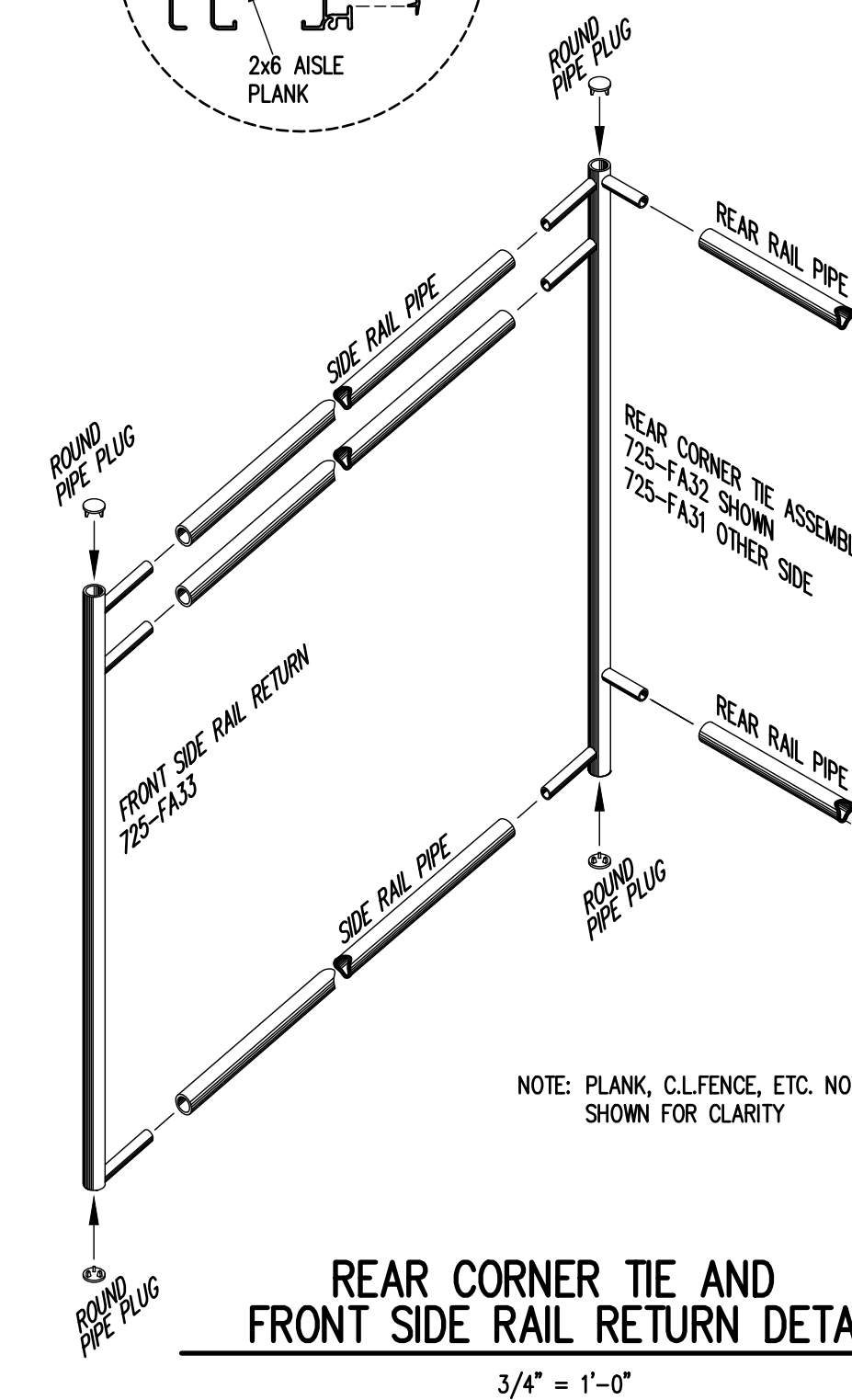
- LOCATE THE CHANNEL END CAP AS SHOWN IN FIG. 1.
- TAP END CAP INTO PLACE WITH RUBBER Mallet OR SOFT WOOD. FIG. 2
- DRILL 5/32" HOLES THROUGH THE BOTTOM FLANGE AND THE BOTTOM OUTSIDE PLANK FLANGES OF EACH PLANK. INSTALL 5/32" POP RIVETS.



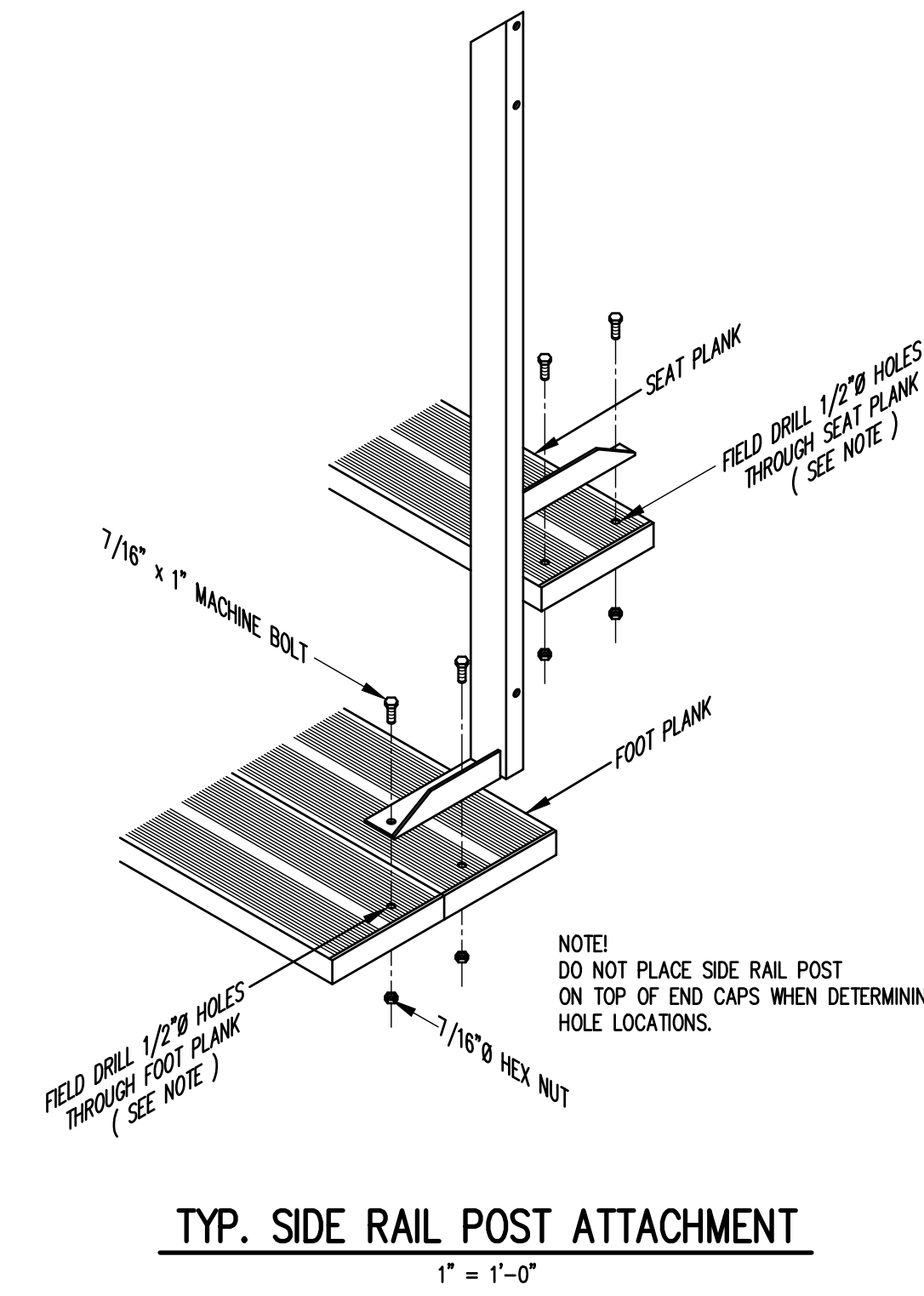
**3 RAIL ATTACHMENT**



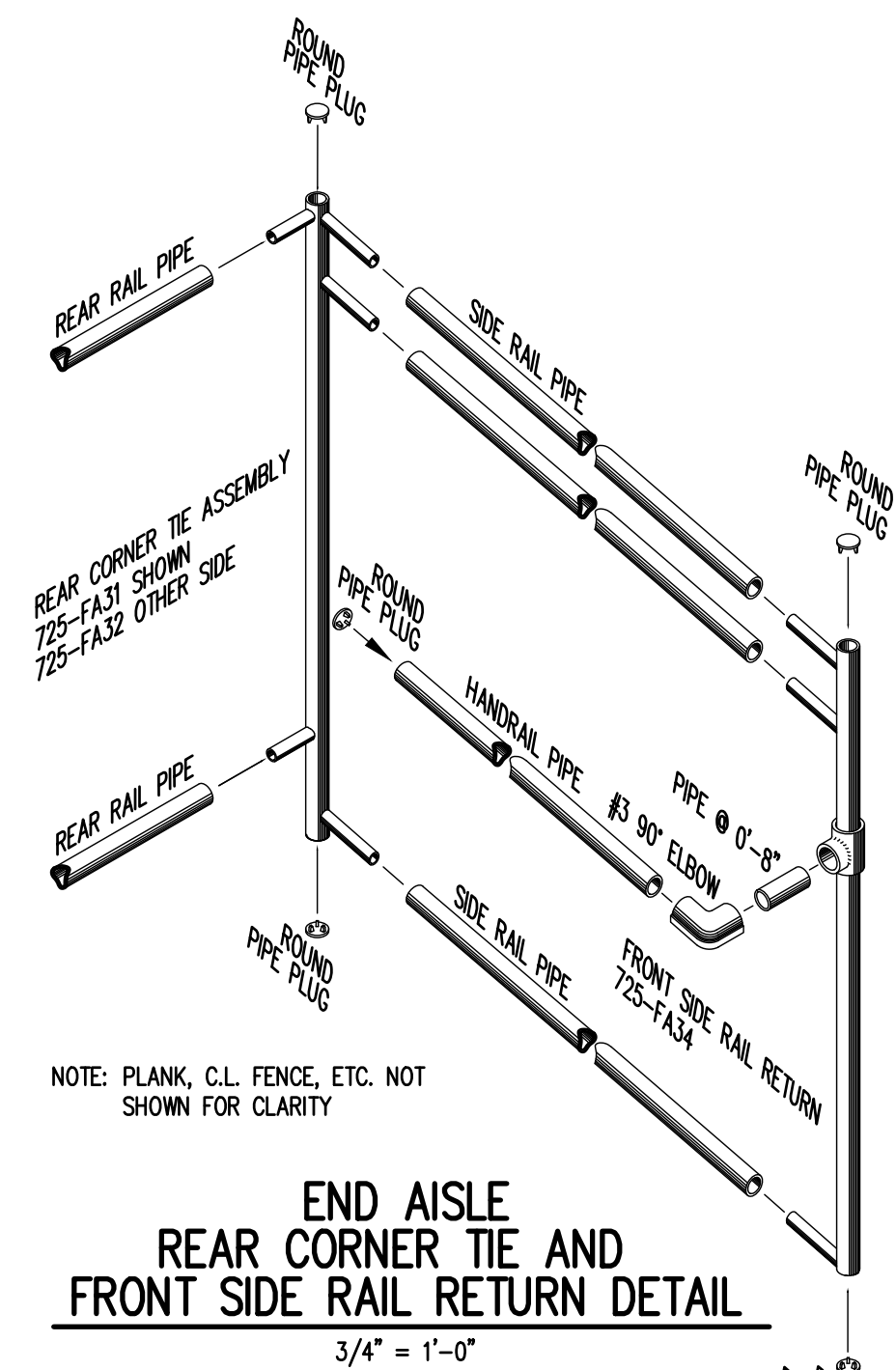
**2 RAIL ATTACHMENT**



**REAR CORNER TIE AND FRONT SIDE RAIL RETURN DETAIL**



**TYP. SIDE RAIL POST ATTACHMENT**



**END AISLE REAR CORNER TIE AND FRONT SIDE RAIL RETURN DETAIL**

NOTE: PLANK, C.L. FENCE, ETC. NOT SHOWN FOR CLARITY

<b>Outdoor Aluminum</b>		P.O. BOX 118 GENEVA, ALABAMA 36340 334-694-2206
SCALE: AS NOTED	REVISIONS:	BY: DATE:
DATE: 3/29/19		
DRN: GDK		
APPD:		
FILE:		
DLW-HC 5x15 ERECTION PLANS		<b>784-E2300</b>

THIS MATERIAL IS OWNED BY AND IS THE SOLE AND EXCLUSIVE PROPERTY OF THE OUTDOOR ALUMINUM COMPANY, INC., AND IS SUPPLIED TO THE OWNER ON A CONFIDENTIAL BASIS, SOLELY FOR USE IN CONNECTION WITH THE PROJECT LISTED AT RIGHT. FEDERAL LAW PROHIBITS THE REPRODUCTION, DISPLAY, SALE OR OTHER DISPOSITION OF THESE DOCUMENTS WITHOUT THE EXPRESS WRITTEN CONSENT OF THE OUTDOOR ALUMINUM COMPANY.