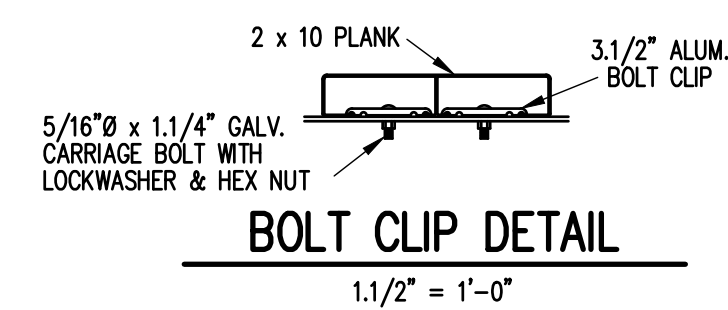
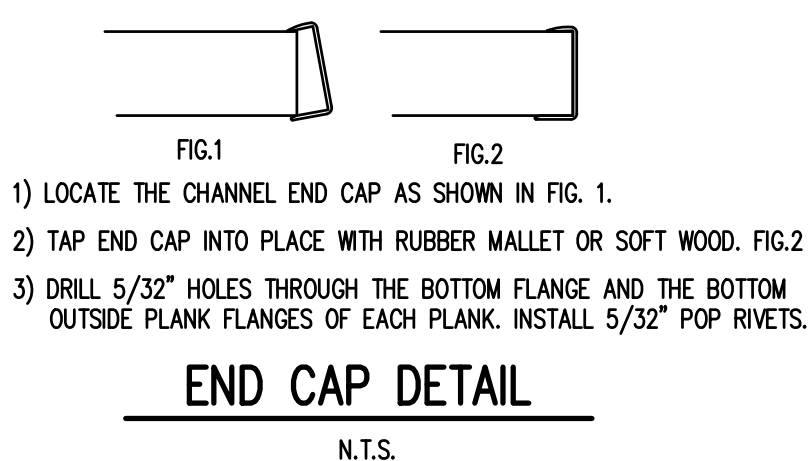
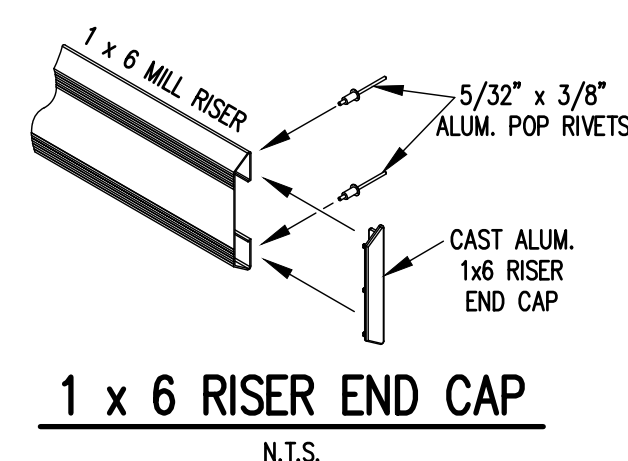
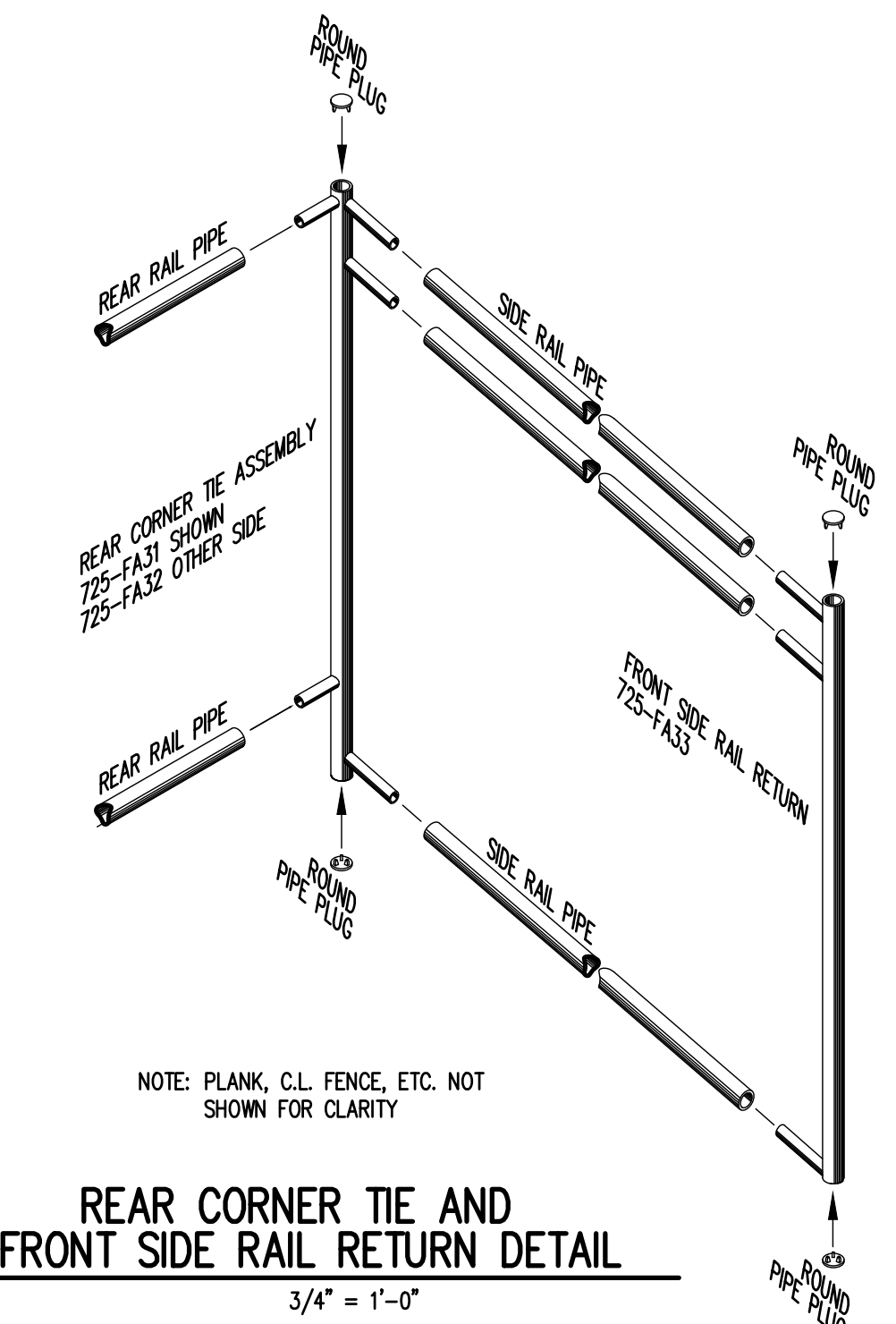
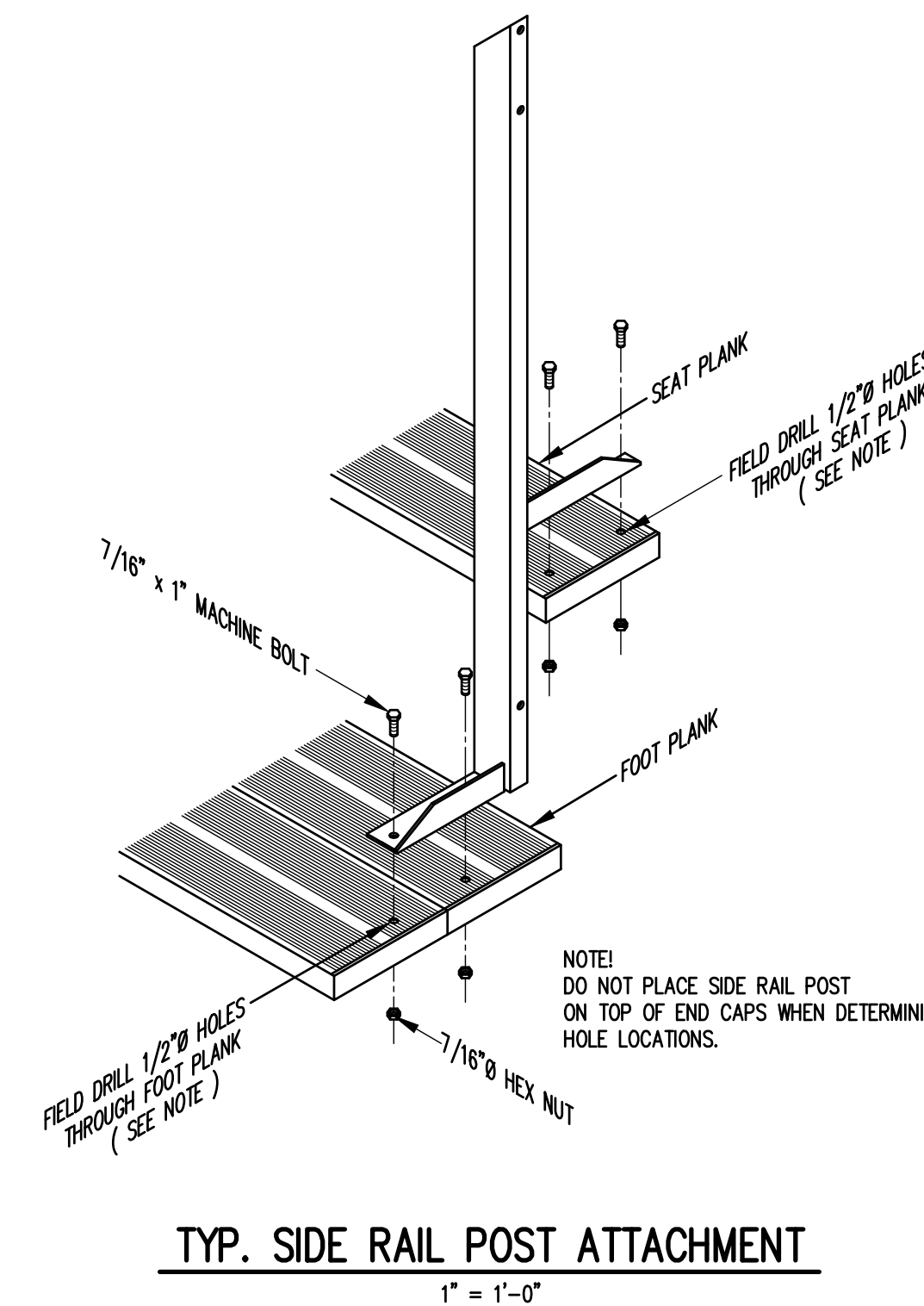
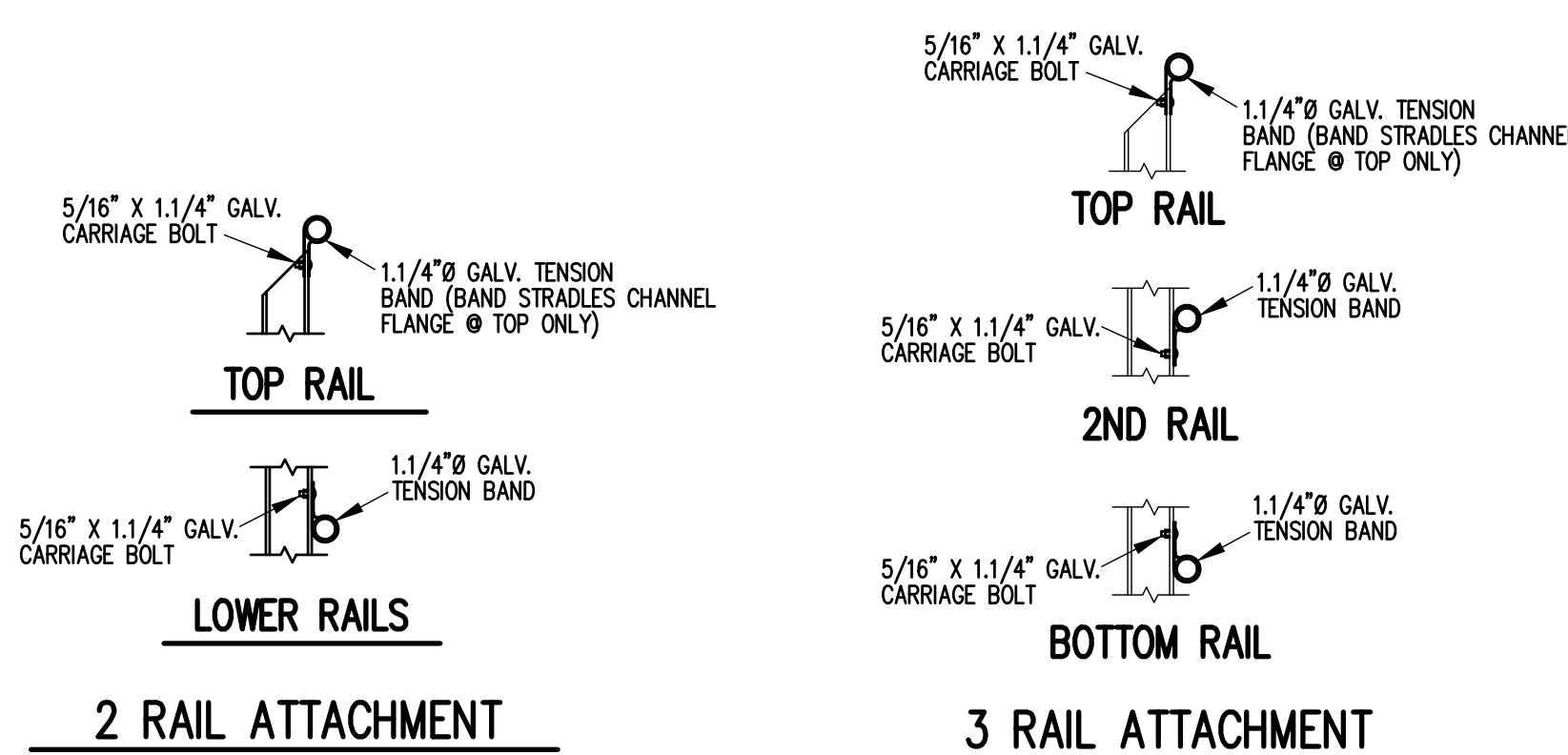


BOLT CLIP SCHEDULE	
3/1/2" BOLT CLIP REQUIRED FOR	2/1/2" BOLT CLIP REQUIRED FOR
2 x 10 PLANK	2 x 4 PLANK
1 x 6 RISER	2 x 6 AISLE



THIS MATERIAL IS OWNED BY AND IS THE SOLE AND EXCLUSIVE PROPERTY OF THE OUTDOOR ALUMINUM COMPANY INC., AND IS SUPPLIED TO THE OWNER ON A CONFIDENTIAL BASIS, SOLELY FOR USE IN CONNECTION WITH THE PROJECT LISTED AT RIGHT. FEDERAL LAW PROHIBITS THE REPRODUCTION, DISPLAY, SALE OR OTHER DISPOSITION OF THESE DOCUMENTS WITHOUT THE EXPRESS WRITTEN CONSENT OF THE OUTDOOR ALUMINUM COMPANY.

Outdoor Aluminum		P.O. BOX 118 GENEVA, ALABAMA 36540 334-694-2266
SCALE: AS NOTED	DATE: 3/29/19	BY: _____
DRN: GDK	CHK: _____	DATE: _____
FILE: _____	NO: _____	DATE: _____
DLW-HC 5x21 ERECTION PLANS		784-E2301