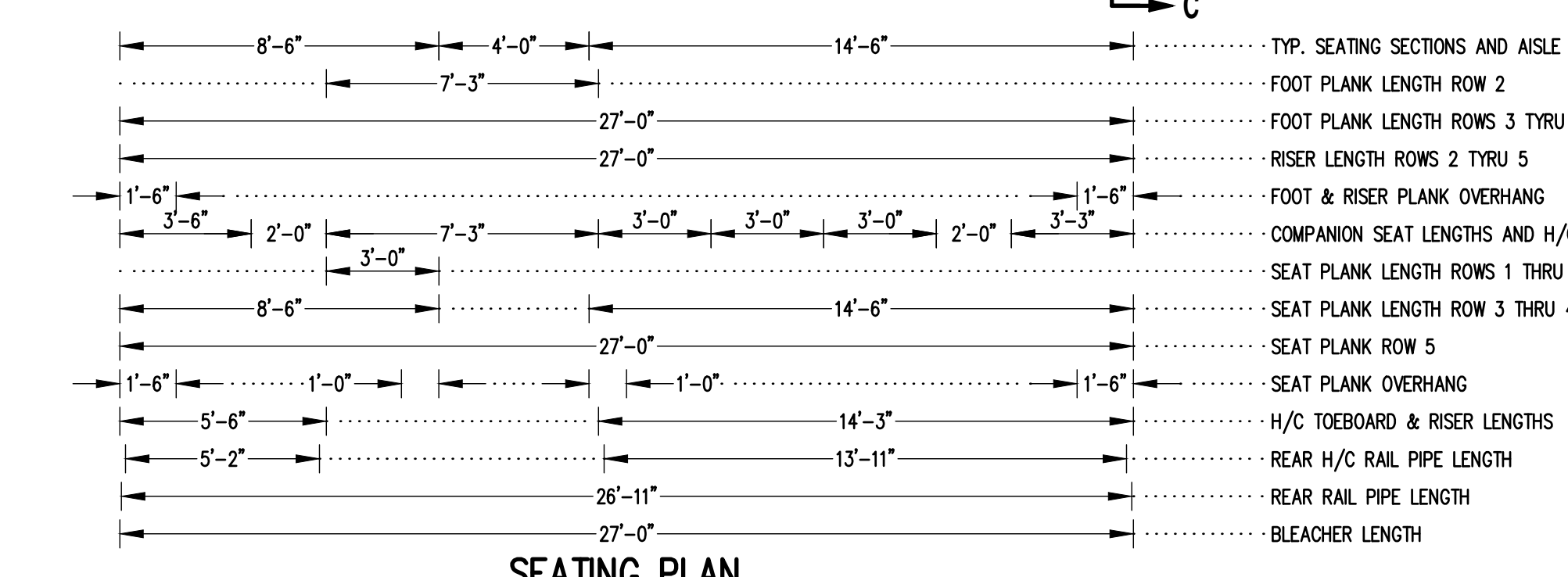
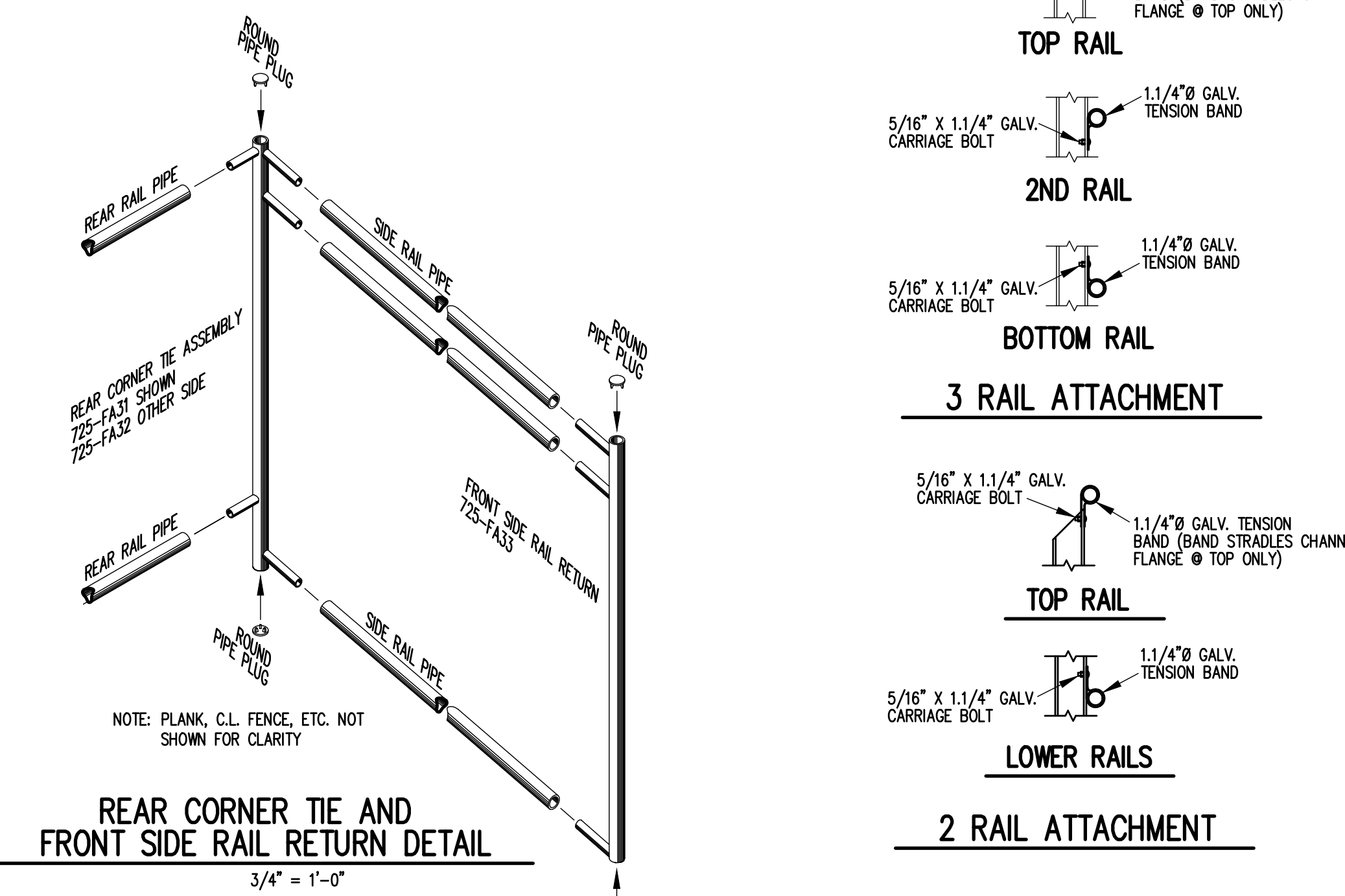
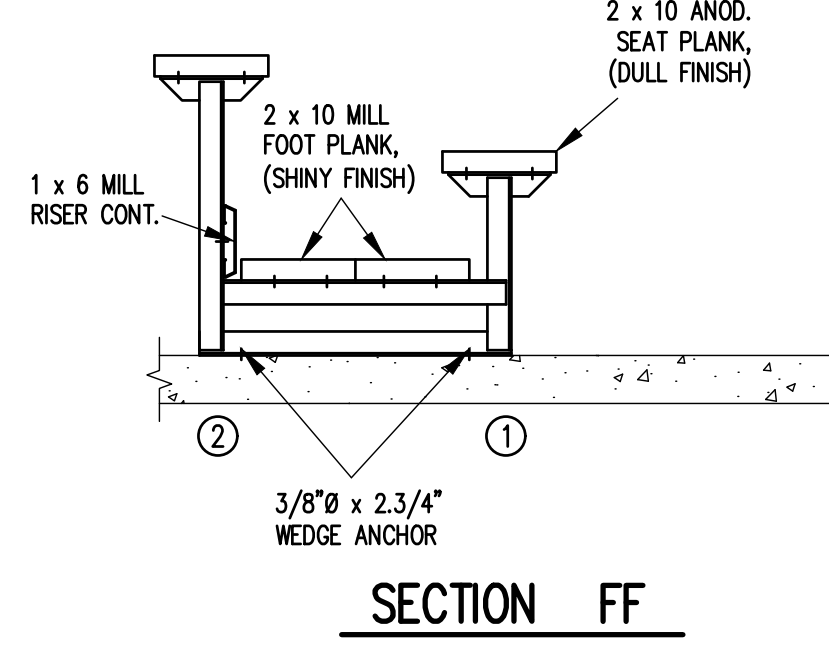
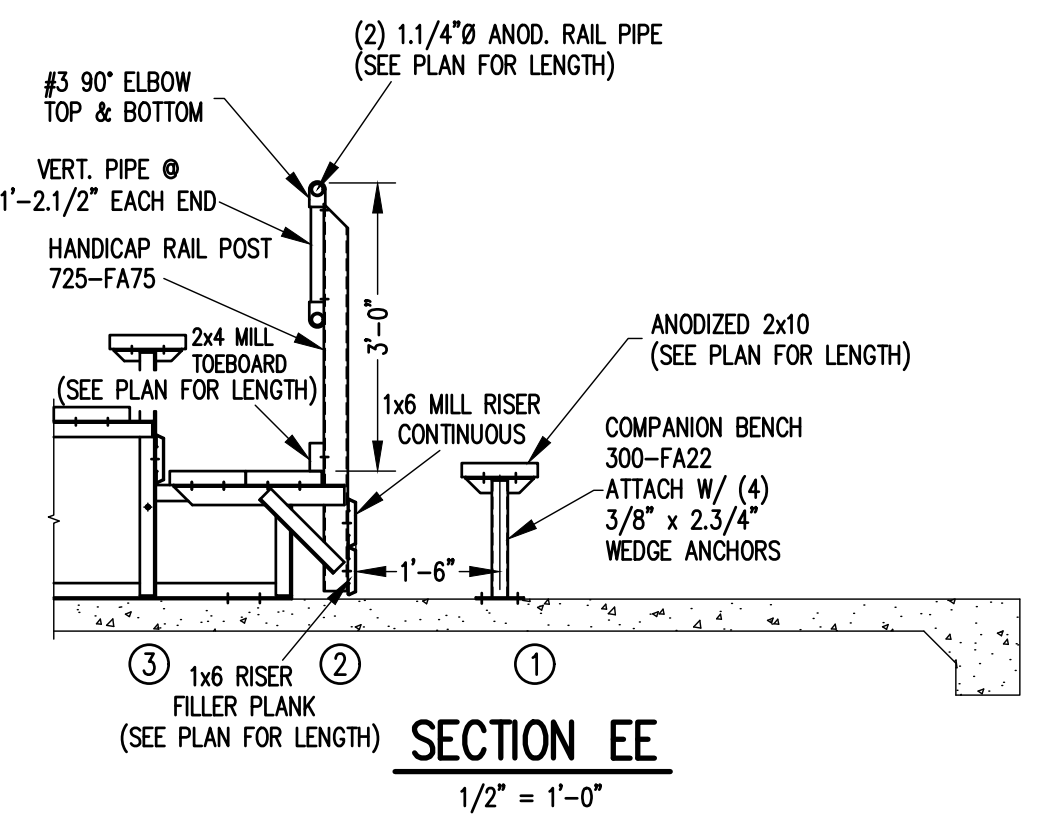
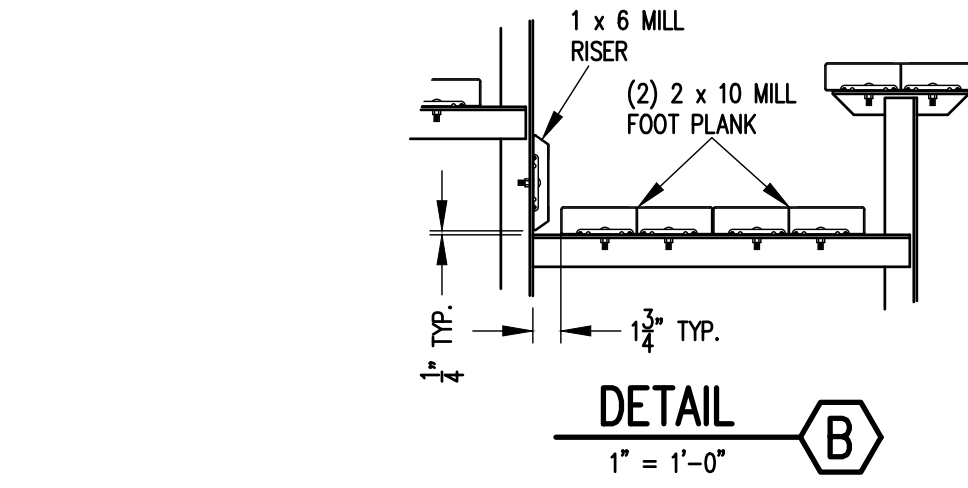
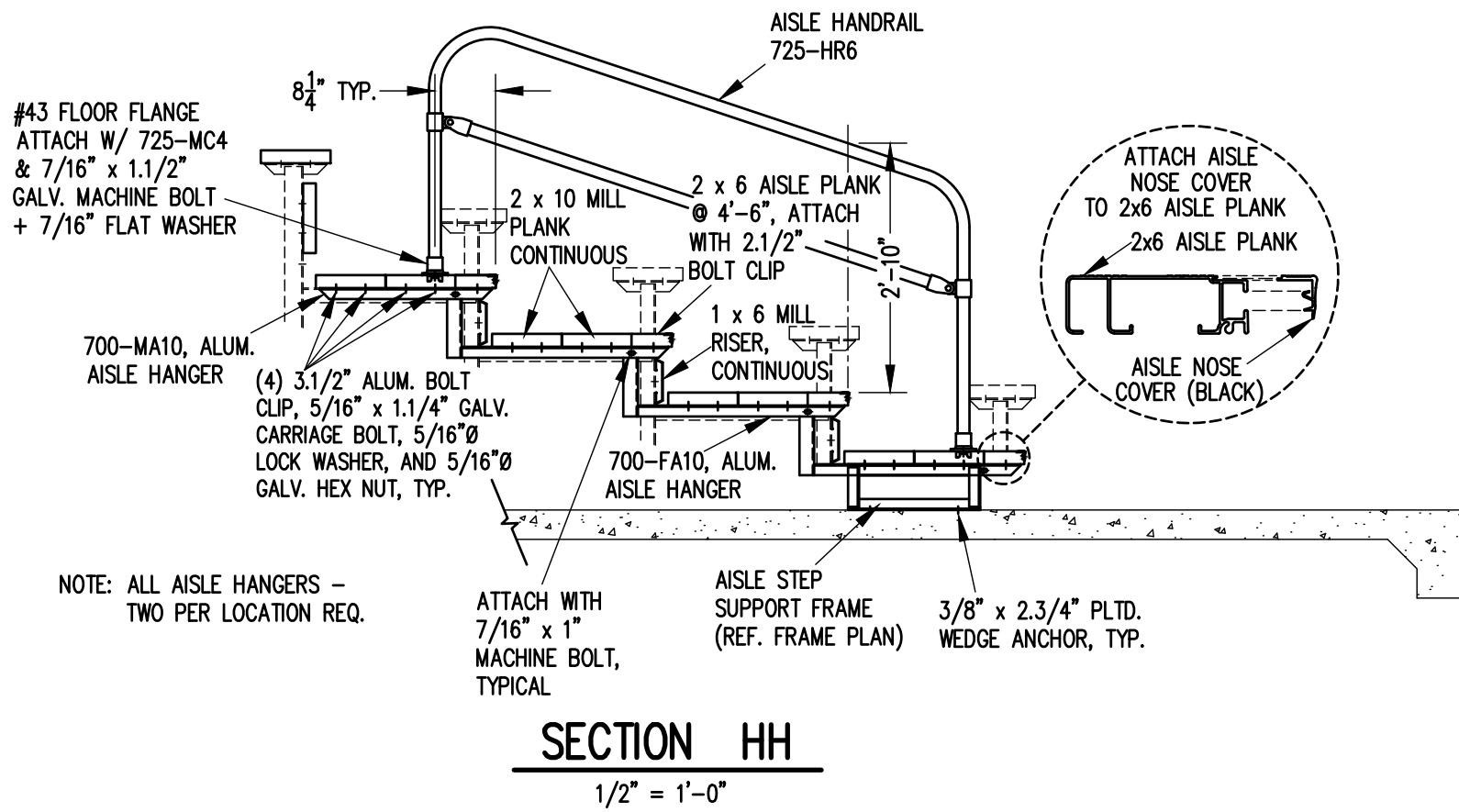
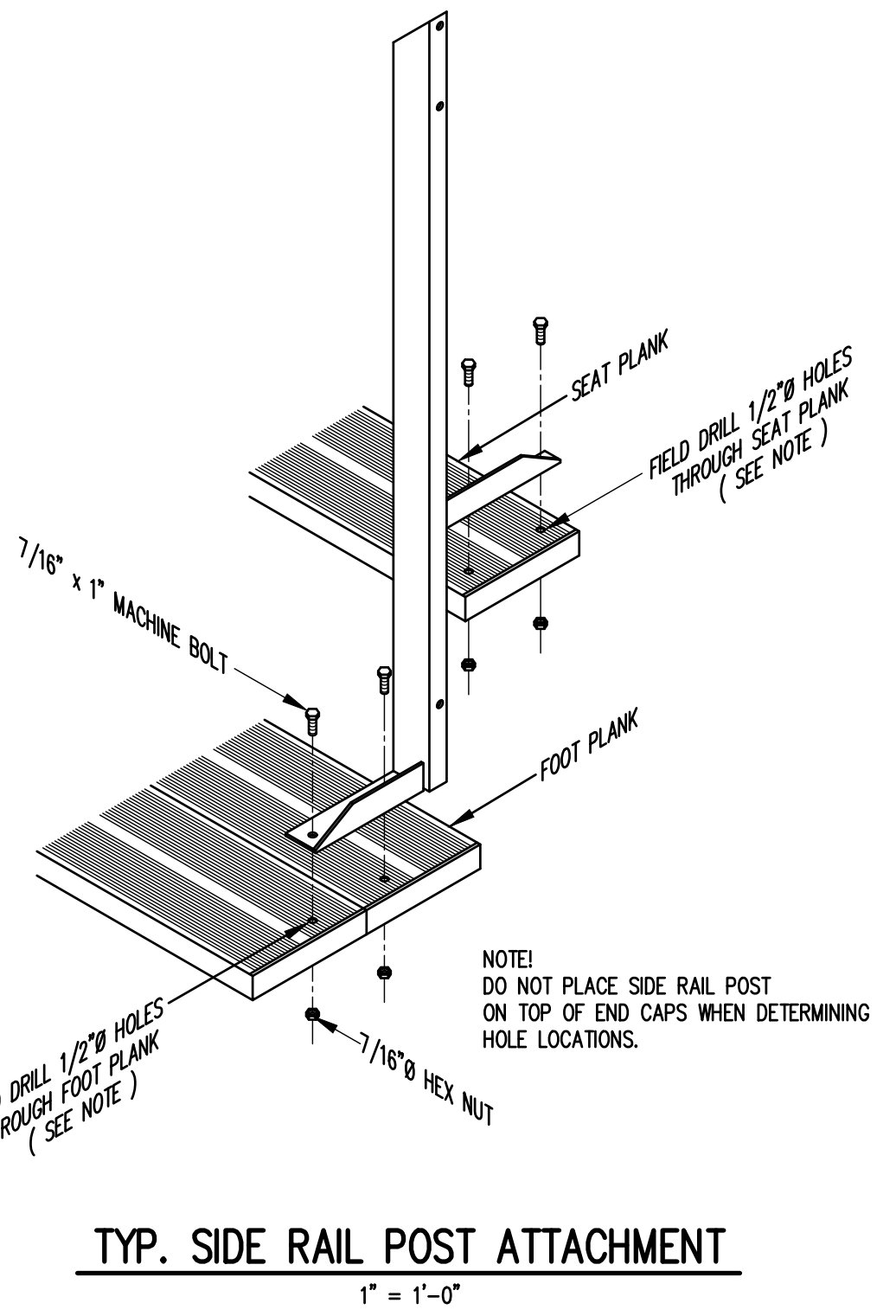
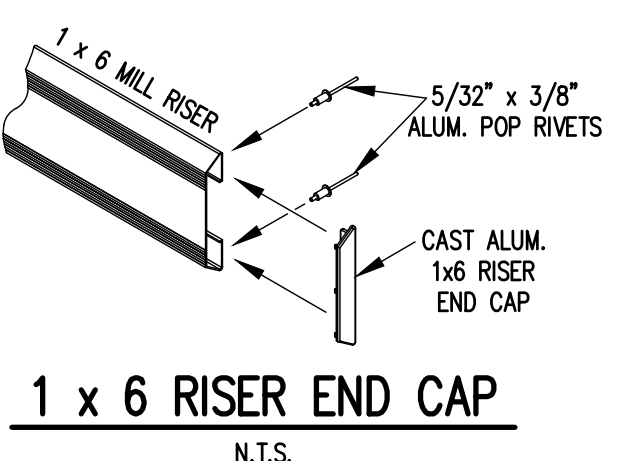
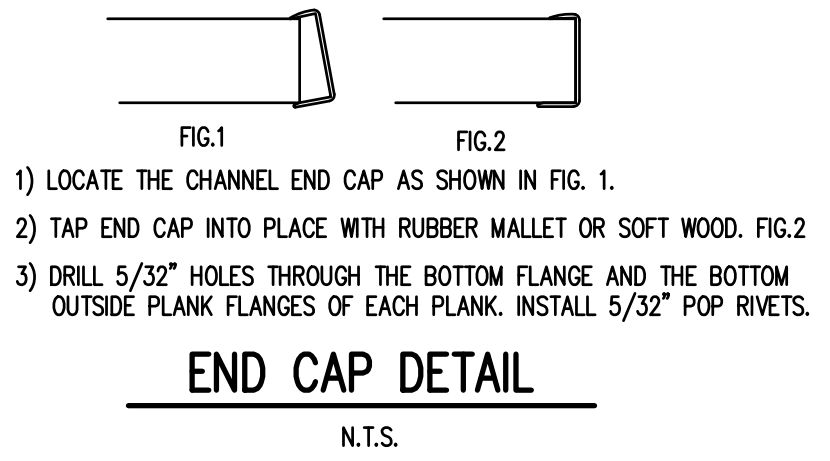
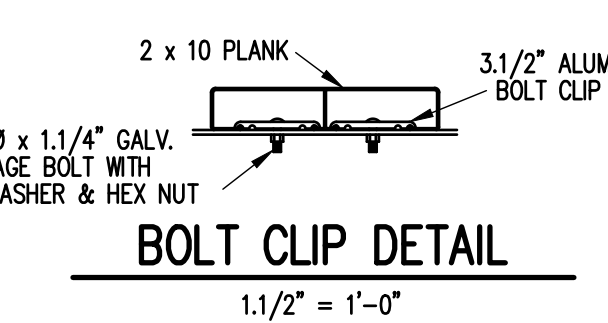


3 1/2" BOLT CLIP REQUIRED FOR	2 1/2" BOLT CLIP REQUIRED FOR
2 x 10 PLANK	2 x 4 PLANK
1 x 6 RISER	2 x 6 AISLE



50 NET SEATS @ 18" PER SEAT  
4 HDCP @ 36" PER SPACE  
4 COMPANIONS @ 18"  
58 TOTAL



**Outdoor Aluminum**

SCALE: AS NOTED  
DATE: 3/29/19  
DRN: GDK  
FILE: DLW-HC 5x27 ERECTION PLANS

784-E2302

THIS MATERIAL IS OWNED BY AND IS THE SOLE AND EXCLUSIVE PROPERTY OF THE OUTDOOR ALUMINUM COMPANY INC., AND IS SUPPLIED TO THE OWNER ON A CONFIDENTIAL BASIS, SOLELY FOR USE IN CONNECTION WITH THE PROJECT LISTED AT RIGHT. FEDERAL LAW PROHIBITS THE REPRODUCTION, DISPLAY, SALE OR OTHER DISPOSITION OF THESE DOCUMENTS WITHOUT THE EXPRESS WRITTEN CONSENT OF THE OUTDOOR ALUMINUM COMPANY.