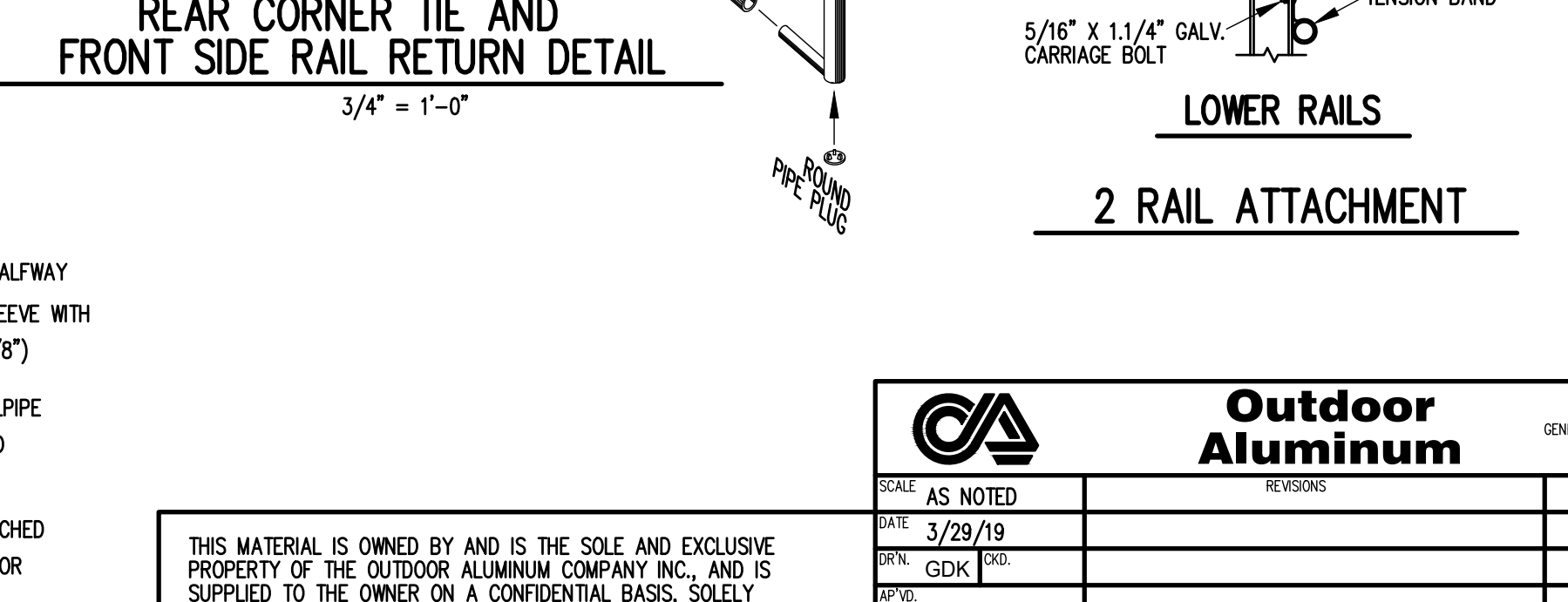
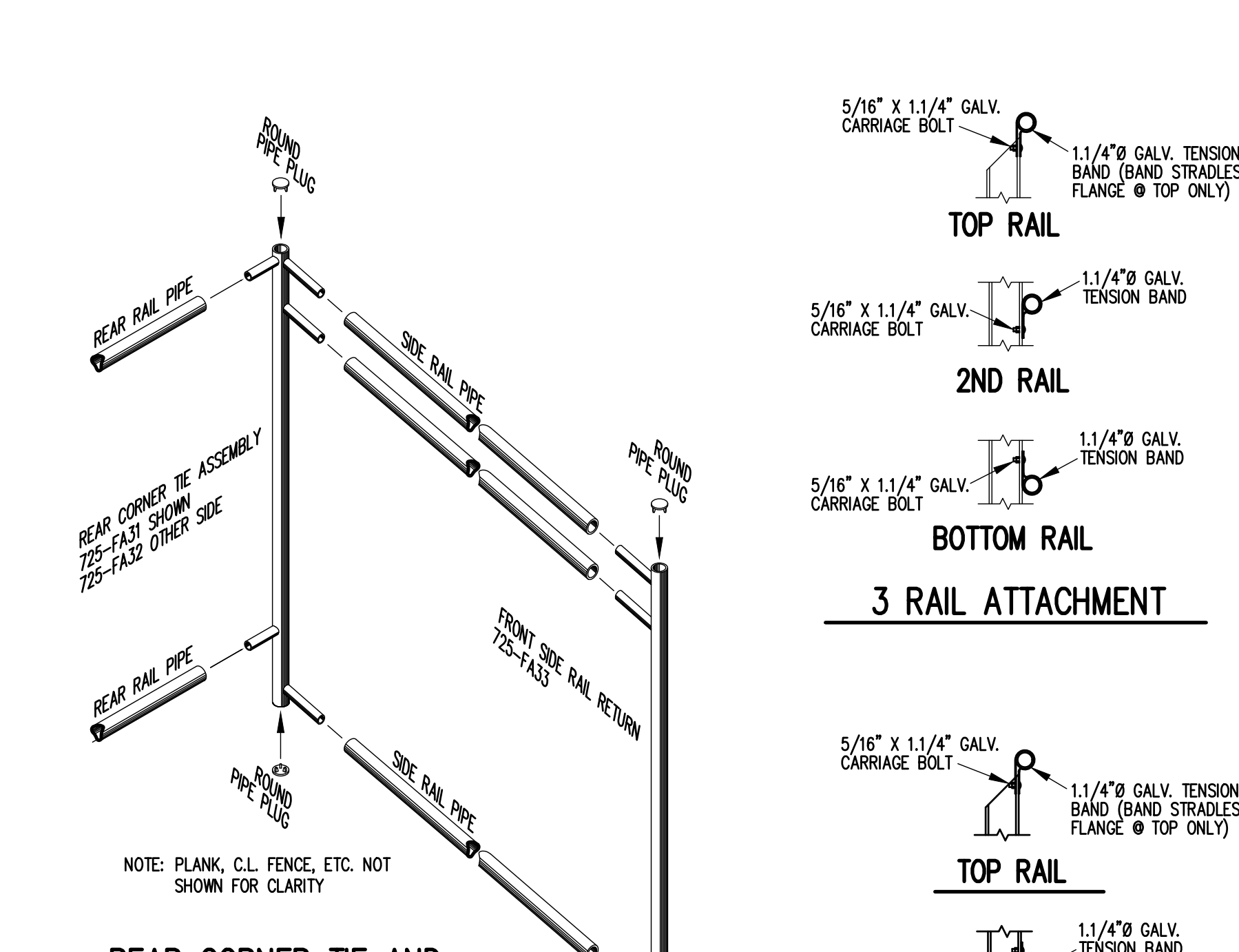
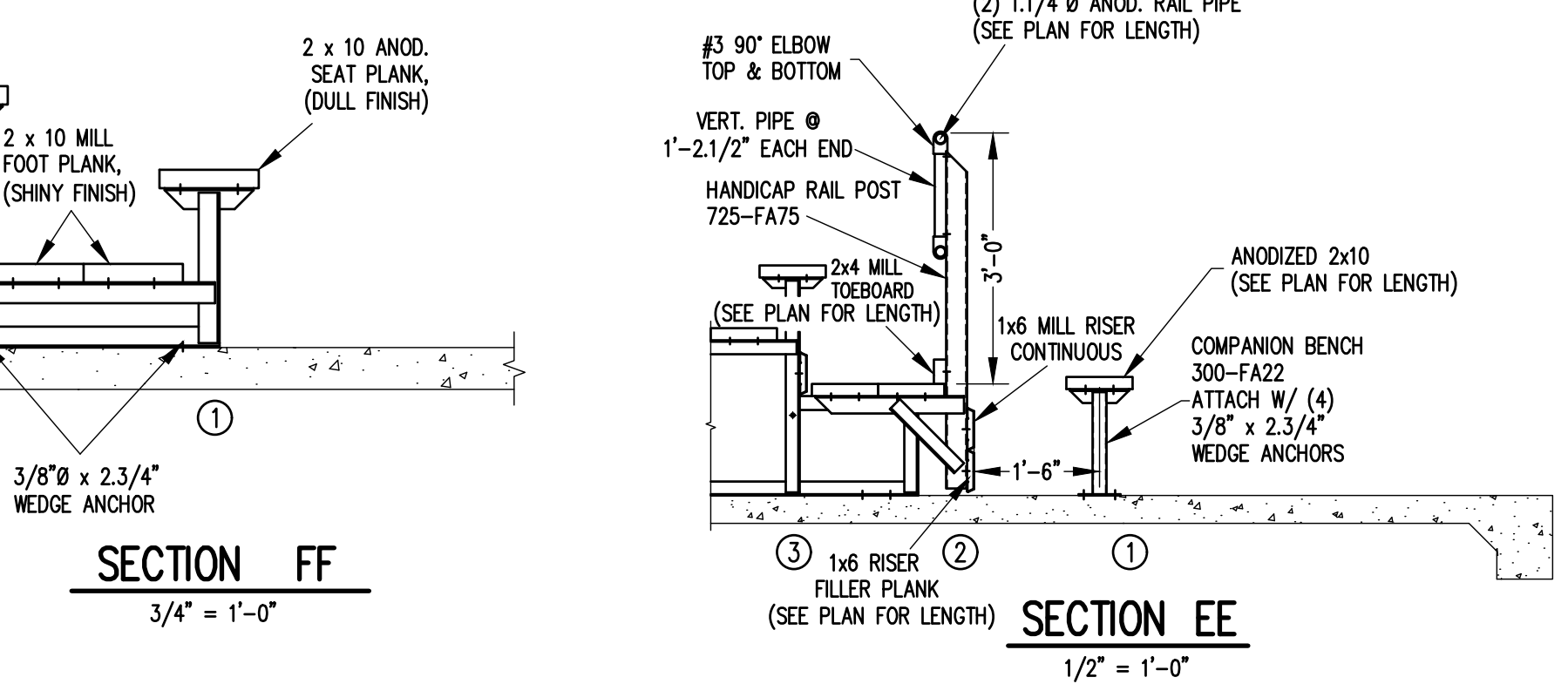
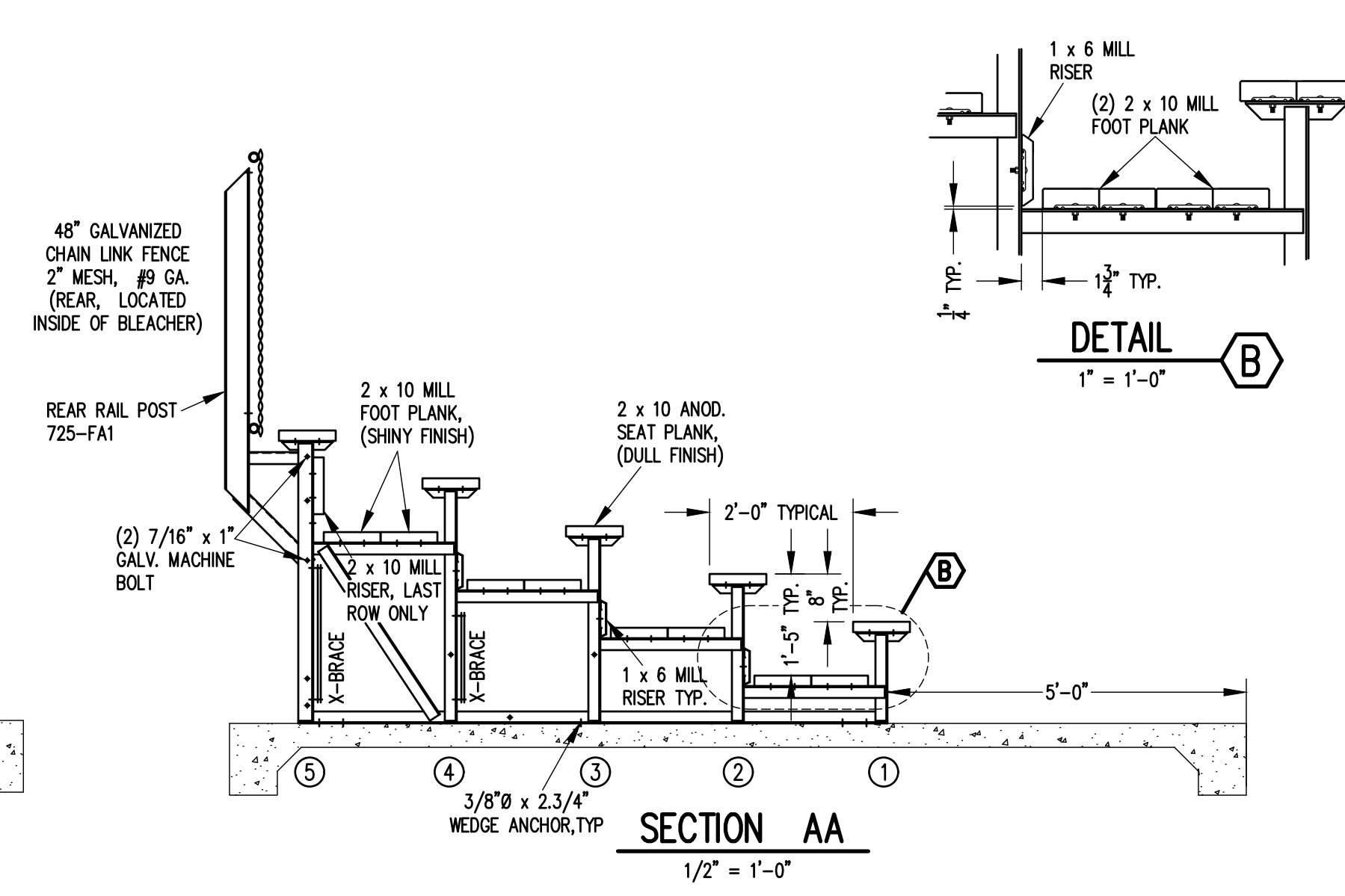
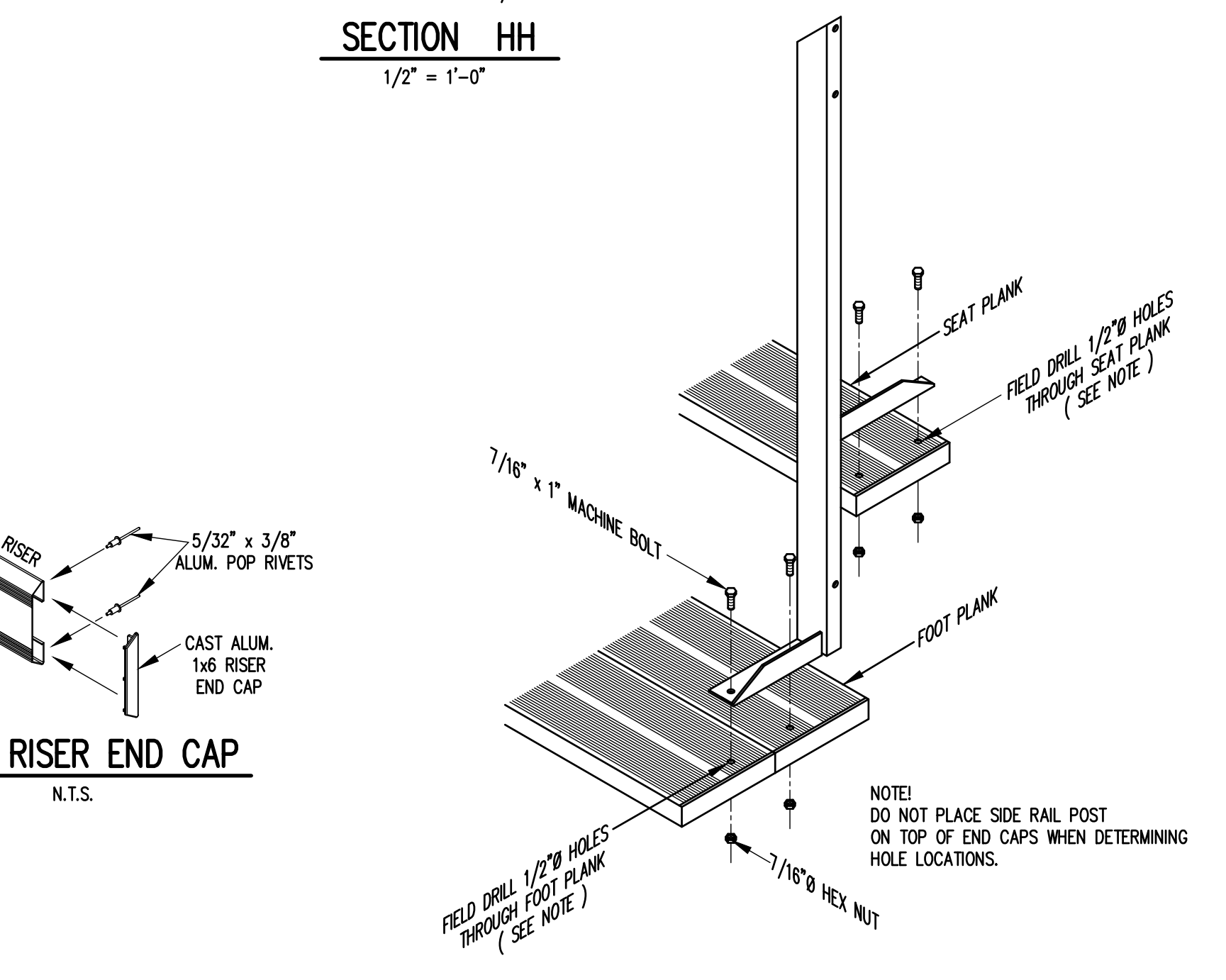
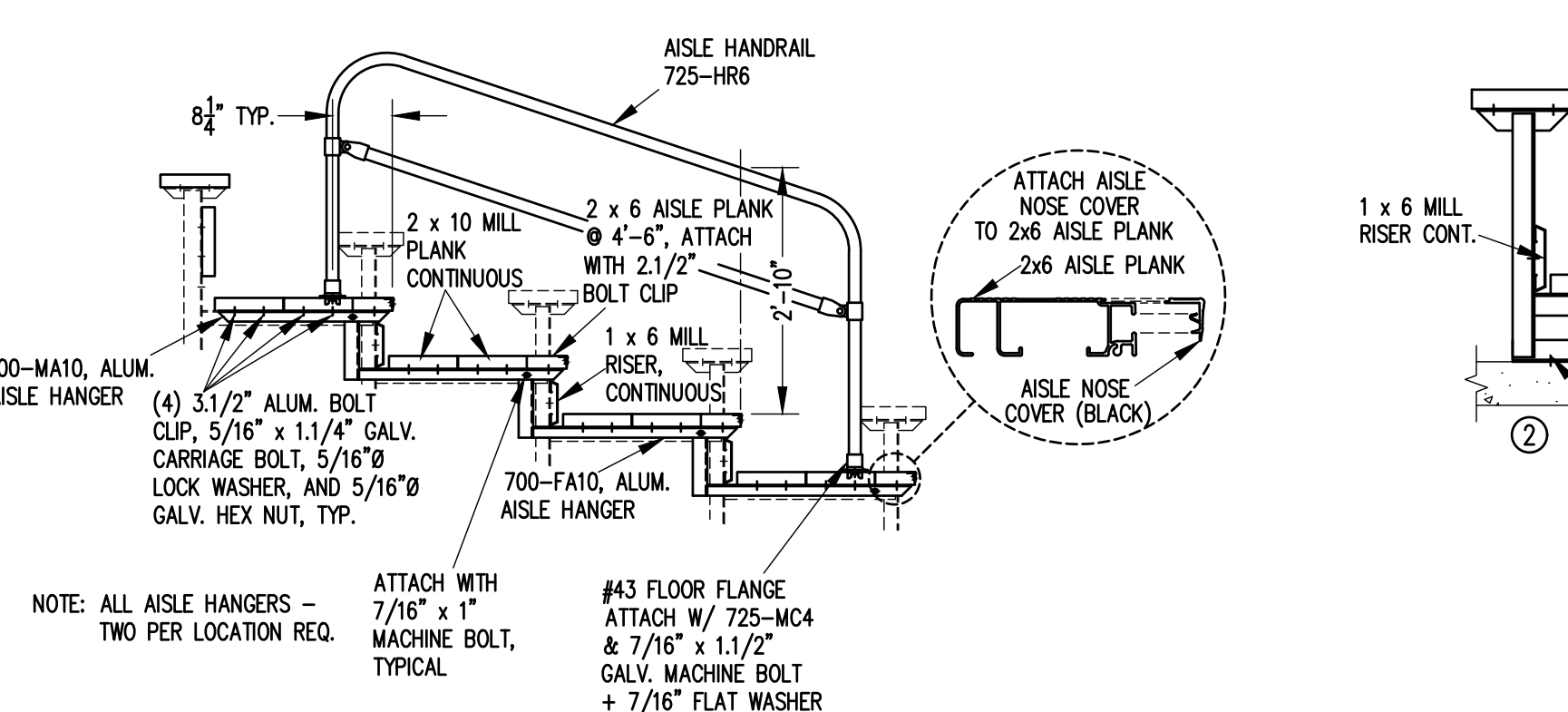
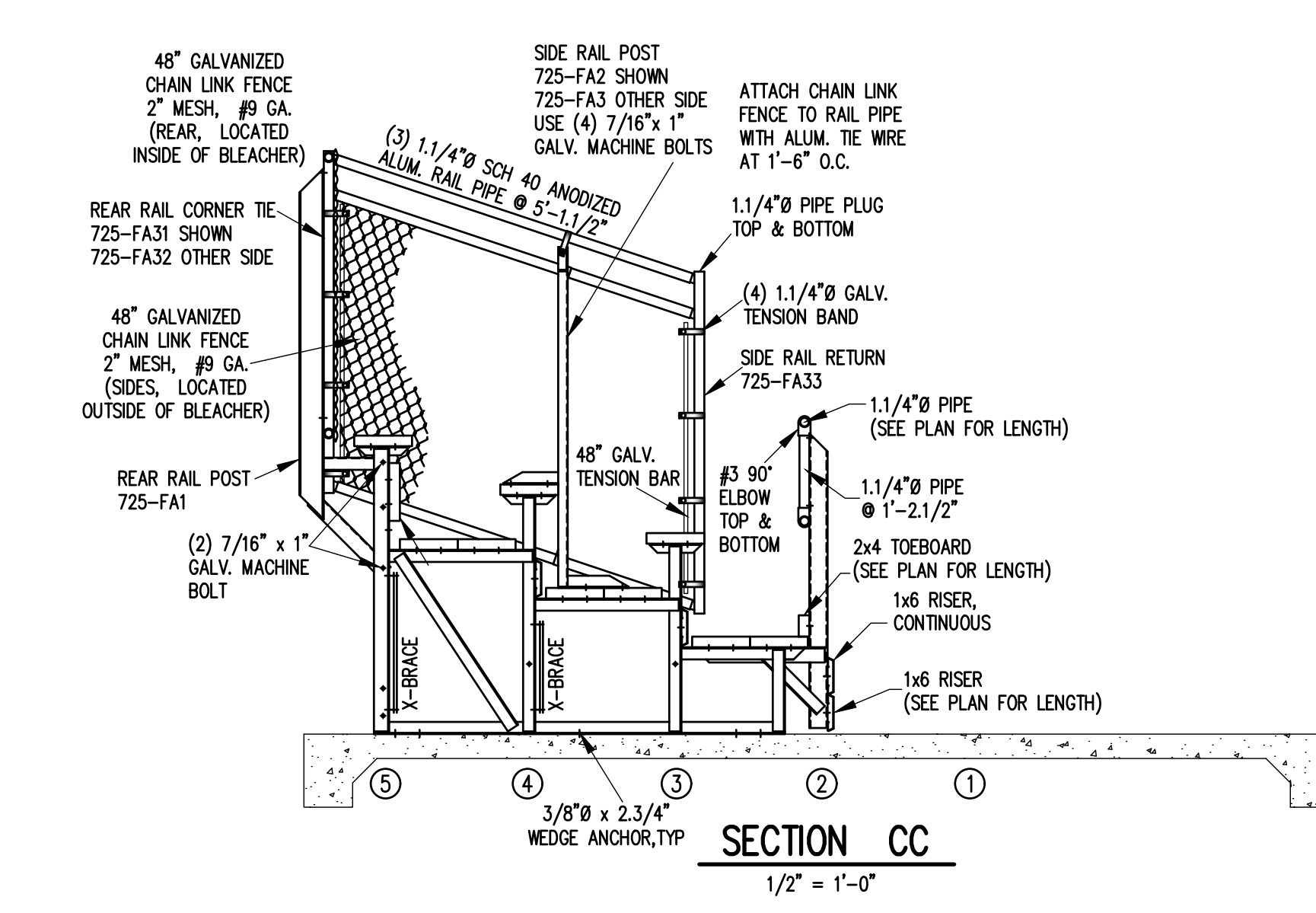
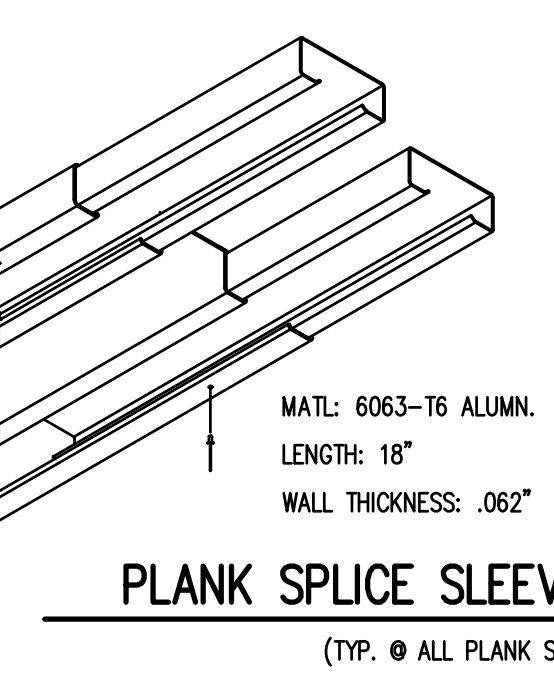
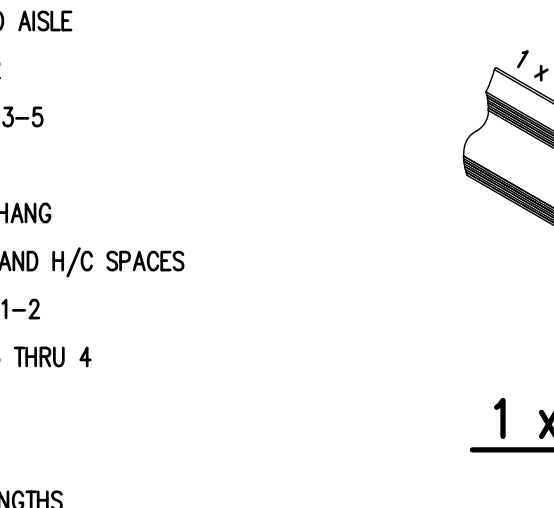


BOLT CLIP SCHEDULE	
3 1/2" BOLT CLIP REQUIRED FOR	2 1/2" BOLT CLIP REQUIRED FOR
2 x 10 PLANK	2 x 4 PLANK
1 x 6 RISER	2 x 6 AISLE



Outdoor Aluminum

P.O. BOX 118
GENEVA, ALABAMA 36340
334-694-2266

SCALE: AS NOTED
DATE: 3/29/19
DRN: GDK
APPD:
FILE:

REVISIONS: BY: DATE:

DLW-HC 5x33 ERECTION PLANS

784-E2303

THIS MATERIAL IS OWNED BY AND IS THE SOLE AND EXCLUSIVE PROPERTY OF THE OUTDOOR ALUMINUM COMPANY, INC., AND IS SUPPLIED TO THE OWNER ON A CONFIDENTIAL BASIS, SOLELY FOR USE IN CONNECTION WITH THE PROJECT LISTED AT RIGHT. FEDERAL LAW PROHIBITS THE REPRODUCTION, DISPLAY, SALE OR OTHER DISPOSITION OF THESE DOCUMENTS WITHOUT THE EXPRESS WRITTEN CONSENT OF THE OUTDOOR ALUMINUM COMPANY.