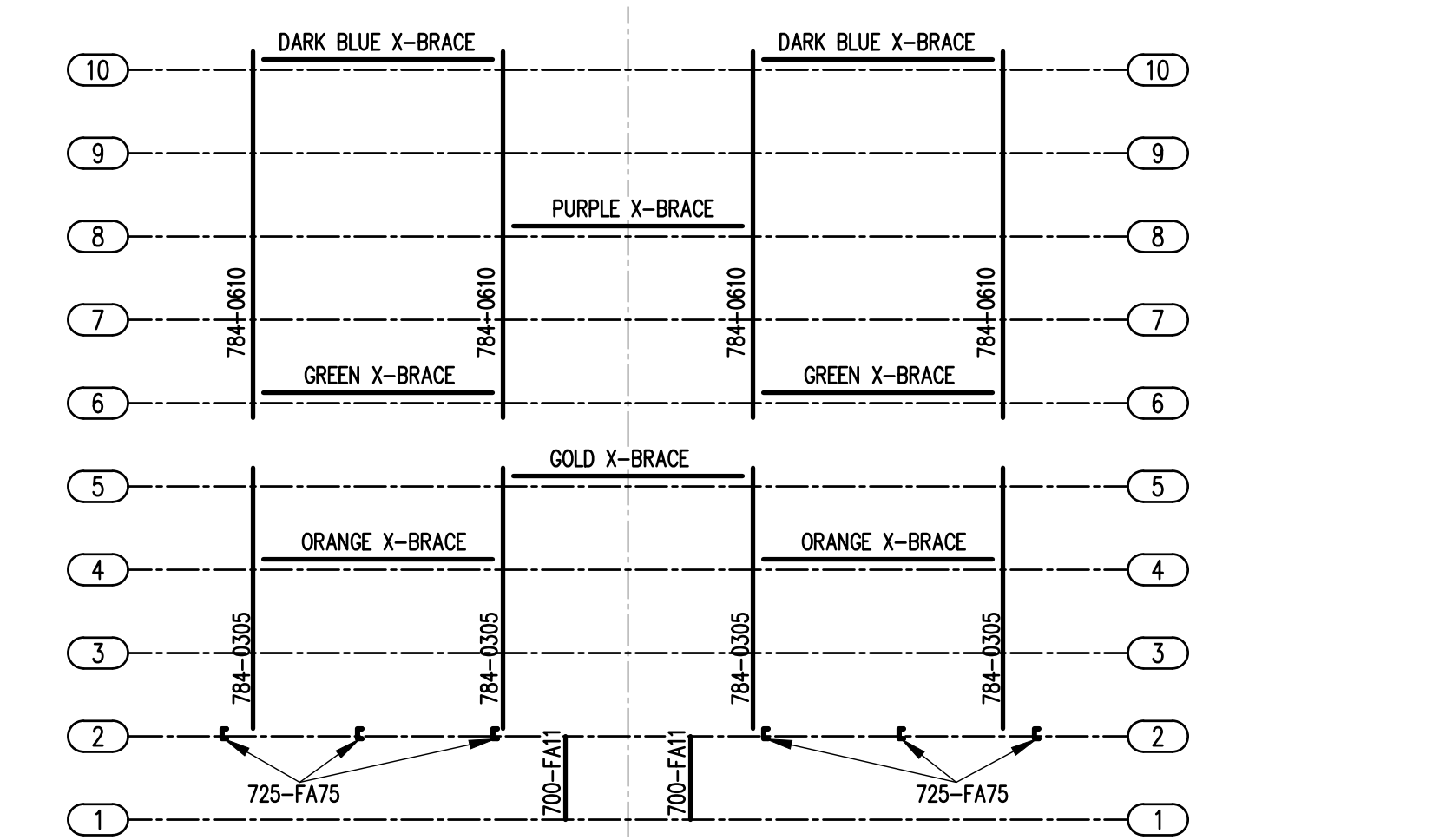
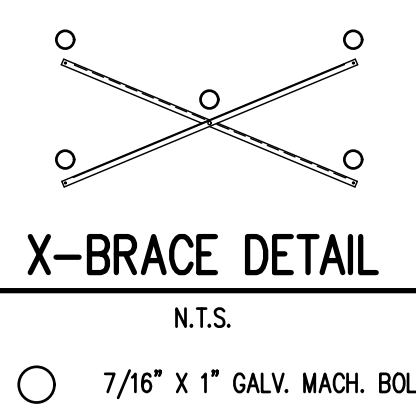


SEATING PLAN
1/4" = 1'-0"

84 NET SEATS @ 18" PER SEAT
4 WHEELCHAIRS @ 36"
4 COMPANION SEATS @ 18"
92 TOTAL

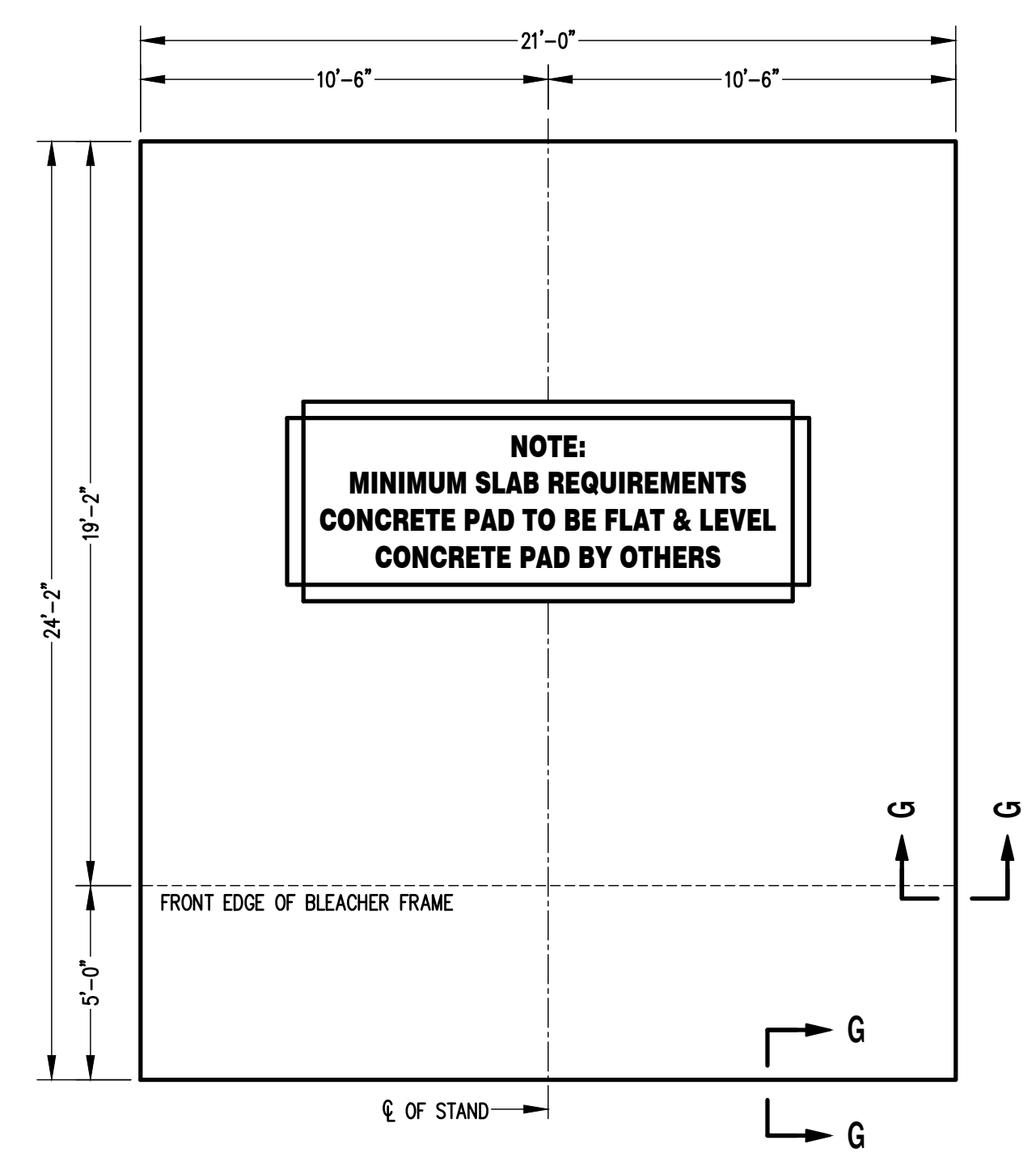


FRAMING PLAN
1/4" = 1'-0"

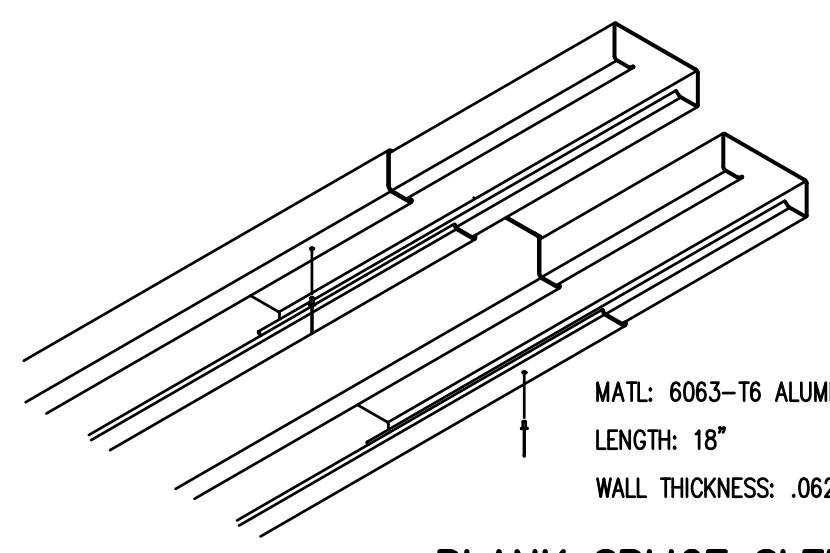
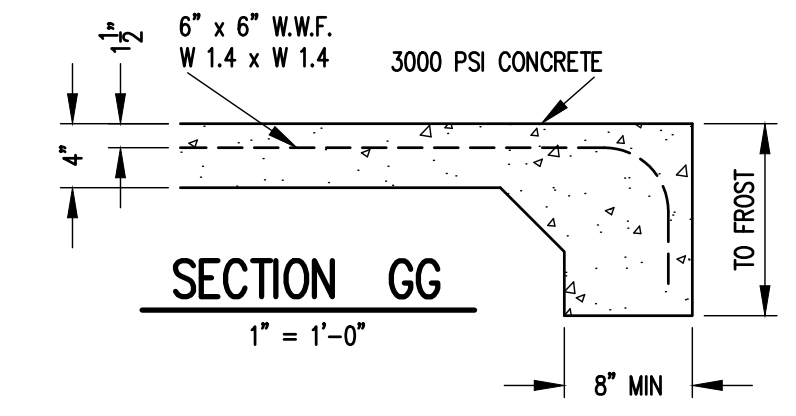


X-BRACE DETAIL
N.T.S.

7/16" x 1" GALV. MACH. BOLT

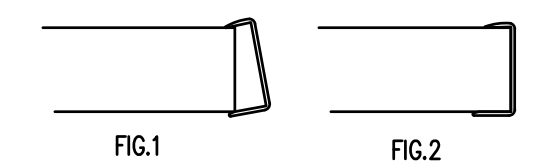


CONCRETE PLAN
1/4" = 1'-0"



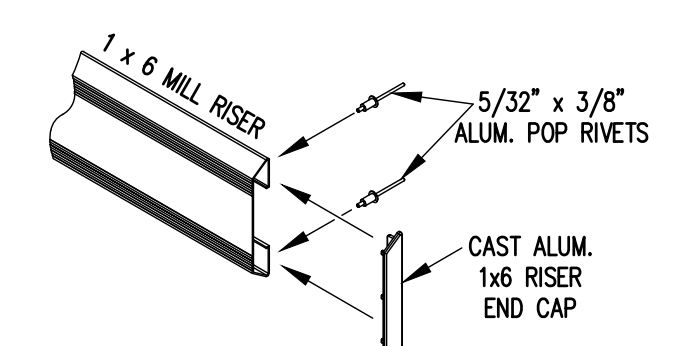
PLANK SPLICE SLEEVE ASSEMBLY
(TYP. @ ALL PLANK SPLICES)

- 1) INSERT SLEEVES APPROXIMATELY HALFWAY INTO THE PLANK WITH THE ENDS STAGGERED ABOUT 1/2". FASTEN SLEEVE WITH (1) ALUMINUM POP RIVET.
 - 2) SLIDE THE END OF THE ADJOINING PLANK OVER THE SLEEVES UNTIL THE TWO PLANKS ARE SNUG.
- NOTE: SLEEVES SHOULD BE ATTACHED ON ONLY ONE END TO ALLOW FOR EXPANSION.



- 1) LOCATE THE CHANNEL END CAP AS SHOWN IN FIG. 1.
- 2) TAP END CAP INTO PLACE WITH RUBBER MALLET OR SOFT WOOD. FIG. 2
- 3) DRILL 5/32" HOLES THROUGH THE BOTTOM FLANGE AND THE BOTTOM OUTSIDE PLANK FLANGES OF EACH PLANK. INSTALL 5/32" POP RIVETS.

END CAP DETAIL
N.T.S.



1 x 6 RISER END CAP
N.T.S.

		Outdoor Aluminum <small>P.O. BOX 118 GENEVA, ALABAMA 36540 334-694-2266</small>	
		<small>SCALE</small> AS NOTED <small>DATE</small> 4/1/19 <small>DRN</small> GDK <small>APP'D</small> <small>FILE</small>	<small>REVISED</small> <small>BY</small> <small>DATE</small>
<small>DLW-HC 10x21 PLANS</small>		784-E2305	

THIS MATERIAL IS OWNED BY AND IS THE SOLE AND EXCLUSIVE PROPERTY OF THE OUTDOOR ALUMINUM COMPANY INC., AND IS SUPPLIED TO THE OWNER ON A CONFIDENTIAL BASIS, SOLELY FOR USE IN CONNECTION WITH THE PROJECT LISTED AT RIGHT. FEDERAL LAW PROHIBITS THE REPRODUCTION, DISPLAY, SALE OR OTHER DISPOSITION OF THESE DOCUMENTS WITHOUT THE EXPRESS WRITTEN CONSENT OF THE OUTDOOR ALUMINUM COMPANY.

48" GALVANIZED CHAIN LINK FENCE 2" MESH, #9 GA. (REAR, LOCATED INSIDE OF BLEACHER)

REAR RAIL CORNER TIE 725-FA31 SHOWN 725-FA32 OTHER SIDE

REAR RAIL POST 725-FA1

(2) 7/16" x 1" GALV. MACHINE BOLT

NOTE: MA-1 FRAME CONNECTOR 700-MA1 ATTACH W/ (2) 7/16" x 1" GALV. MACHINE BOLT, TYP.

ATTACH CHAIN LINK FENCE TO RAIL PIPE WITH ALUM. TIE WIRE AT 1'-6" O.C.

48" GALVANIZED CHAIN LINK FENCE 2" MESH, #9 GA. (SIDES, LOCATED OUTSIDE OF BLEACHER)

1 x 6 MILL RISER BOARD ROWS 2-9

2 x 10 MILL (SHINY) FOOT PLANK TYPICAL

SEE NOTE: MA-1

GREEN X-BRACE 6'-0" x 7'-4"

GOLD X-BRACE 6'-4" x 5'-4"

ORANGE X-BRACE 6'-2" x 7'-8"

1/6" RISER CONTINUOUS

1/6" RISER 8'-7"

1.1/4" PIPE (SEE PLAN FOR LENGTH)

2x4 TOEBOARD 8'-6"

1.1/4" ELBOW TOP & BOTTOM

VERT. PIPE 1'-2 1/2" EACH END

HANDICAP RAIL POST 725-FA75

(2) 2 x 10 MILL FOOT PLANK

1 x 6 MILL RISER

1" TYP.

1'-0"

DETAIL B

1" = 1'-0"

1.1/4" ANOD. RAIL PIPE (SEE PLAN FOR LENGTH)

ANODIZED 2x10 (SEE PLAN FOR LENGTH)

1/6" RISER FILLER PLANK (SEE PLAN FOR LENGTH)

1'-6"

SECTION EE

1/2" = 1'-0"

REAR RAIL PIPE

REAR CORNER TIE ASSEMBLY 725-FA31 SHOWN 725-FA32 OTHER SIDE

REAR RAIL PIPE

ROUND PIPE PLUG

SIDE RAIL PIPE

ROUND PIPE PLUG

FRONT SIDE RAIL RETURN 725-FA33

ROUND PIPE PLUG

ROUND PIPE PLUG

NOTE: PLANK, C.L. FENCE, ETC. NOT SHOWN FOR CLARITY

REAR CORNER TIE AND FRONT SIDE RAIL RETURN DETAIL

3/4" = 1'-0"

2 x 10 PLANK

3.1/2" ALUM. BOLT CLIP

5/16" x 1.1/4" GALV. CARRIAGE BOLT WITH LOCKWASHER & HEX NUT

1.1/2" = 1'-0"

BOLT CLIP DETAIL

FIG. 1

FIG. 2

1) LOCATE THE CHANNEL END CAP AS SHOWN IN FIG. 1.

2) TAP END CAP INTO PLACE WITH RUBBER Mallet OR SOFT WOOD. FIG. 2

3) DRILL 5/32" HOLES THROUGH THE BOTTOM FLANGE AND THE BOTTOM OUTSIDE PLANK FLANGES OF EACH PLANK. INSTALL 5/32" POP RIVETS.

END CAP DETAIL

N.T.S.

700-MA10 ALUM. AISLE HANGER (TOP ROW ONLY)

2 x 10 MILL FOOT PLANK, CONTINUOUS

(4) 3.1/2" ALUM. BOLT CLIP, 5/16" x 1.1/4" GALV. CARRIAGE BOLT, 5/16" LOCK WASHER, AND 5/16" GALV. HEX NUT, TYP.

#43 FLOOR FLANGE ATTACH W/ 725-MC4 & 7/16" x 1.1/2" GALV. MACHINE BOLT + 7/16" FLAT WASHER

2x6 MILL AISLE PLANK @ 4'-6" ATTACH WITH 2.1/2" BOLT CLIP

700-FA10 ALUM. AISLE HANGER TYP.

1 x 6 MILL RISER, CONTINUOUS

ATTACH WITH 7/16" x 1" MACH. BOLT, TYP.

ATTACH AISLE NOSE COVER TO 2x6 AISLE PLANK

AISLE NOSE COVER (BLACK) @ 4'-0"

AISLE HANDRAIL 725-HR4

AISLE HANDRAIL 725-HR4

AISLE HANDRAIL 725-HR4

AISLE STEP SUPPORT FRAME (REF. FRAME PLAN)

3/8" x 2.3/4" PLTD. WEDGE ANCHOR, TYP.

VIEW CC

1/2" = 1'-0"

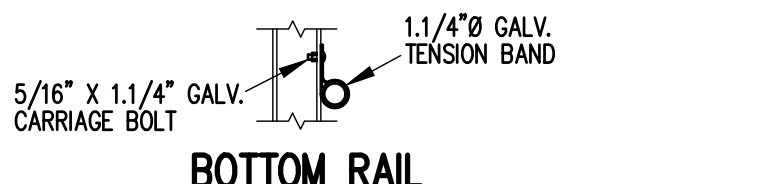
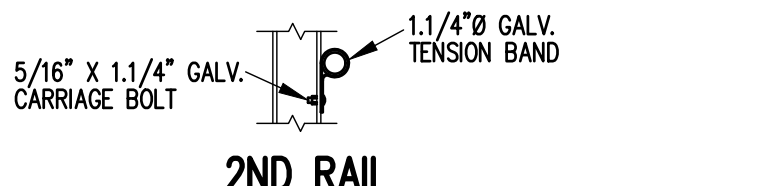
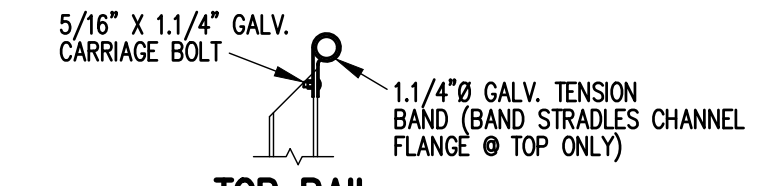
NOTE: ALL AISLE HANGERS - TWO PER LOCATION REQUIRED

VIEW HH

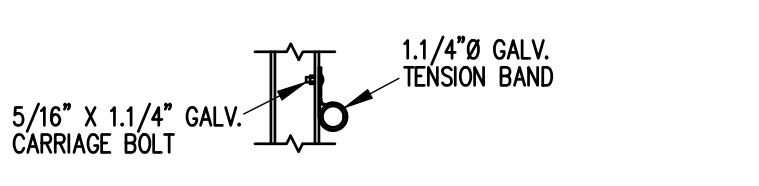
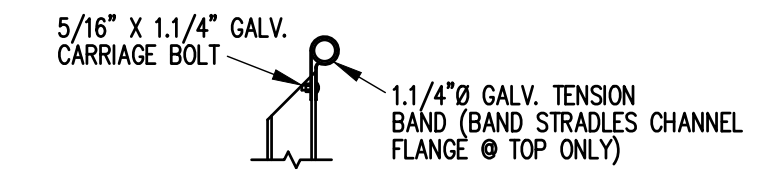
1/2" = 1'-0"

BOLT CLIP SCHEDULE

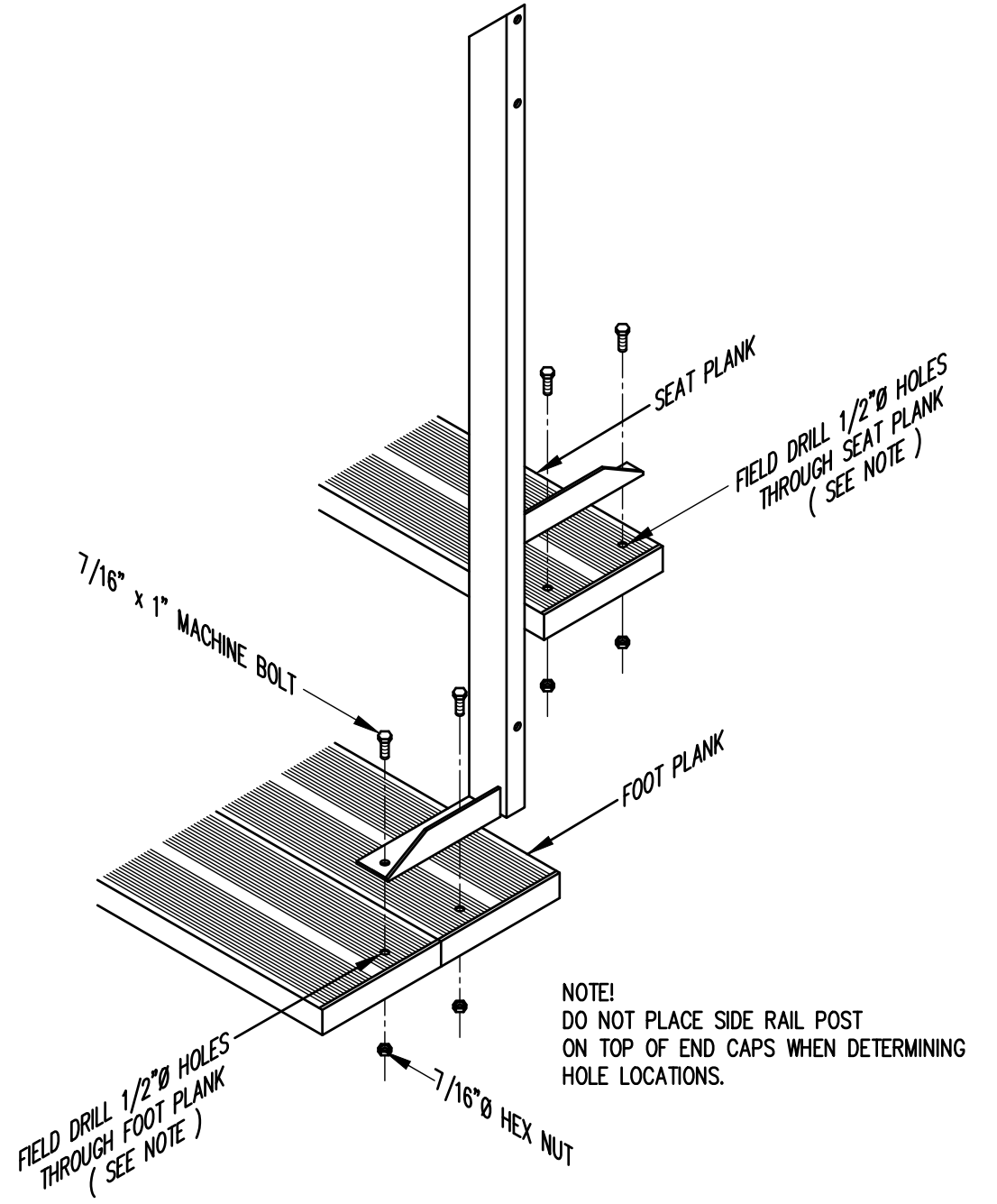
3.1/2" BOLT CLIP REQUIRED FOR	2.1/2" BOLT CLIP REQUIRED FOR
2 x 10 PLANK	2 x 4 PLANK
1 x 6 RISER	2 x 6 AISLE



3 RAIL ATTACHMENT



2 RAIL ATTACHMENT



TYP. SIDE RAIL POST ATTACHMENT

1" = 1'-0"

		Outdoor Aluminum		P.O. BOX 118 GENEVA, ALABAMA 36540
SCALE	AS NOTED	REVISED	BY	DATE
DATE	4/1/19			
DRN	GDK	DDO		
APPD				
FILE				
DLW-HC 10x21 SECTIONS AND DETAILS				784-E2306

THIS MATERIAL IS OWNED BY AND IS THE SOLE AND EXCLUSIVE PROPERTY OF THE OUTDOOR ALUMINUM COMPANY, INC., AND IS SUPPLIED TO THE OWNER ON A CONFIDENTIAL BASIS, SOLELY FOR USE IN CONNECTION WITH THE PROJECT LISTED AT RIGHT. FEDERAL LAW PROHIBITS THE REPRODUCTION, DISPLAY, SALE OR OTHER DISPOSITION OF THESE DOCUMENTS WITHOUT THE EXPRESS WRITTEN CONSENT OF THE OUTDOOR ALUMINUM COMPANY.