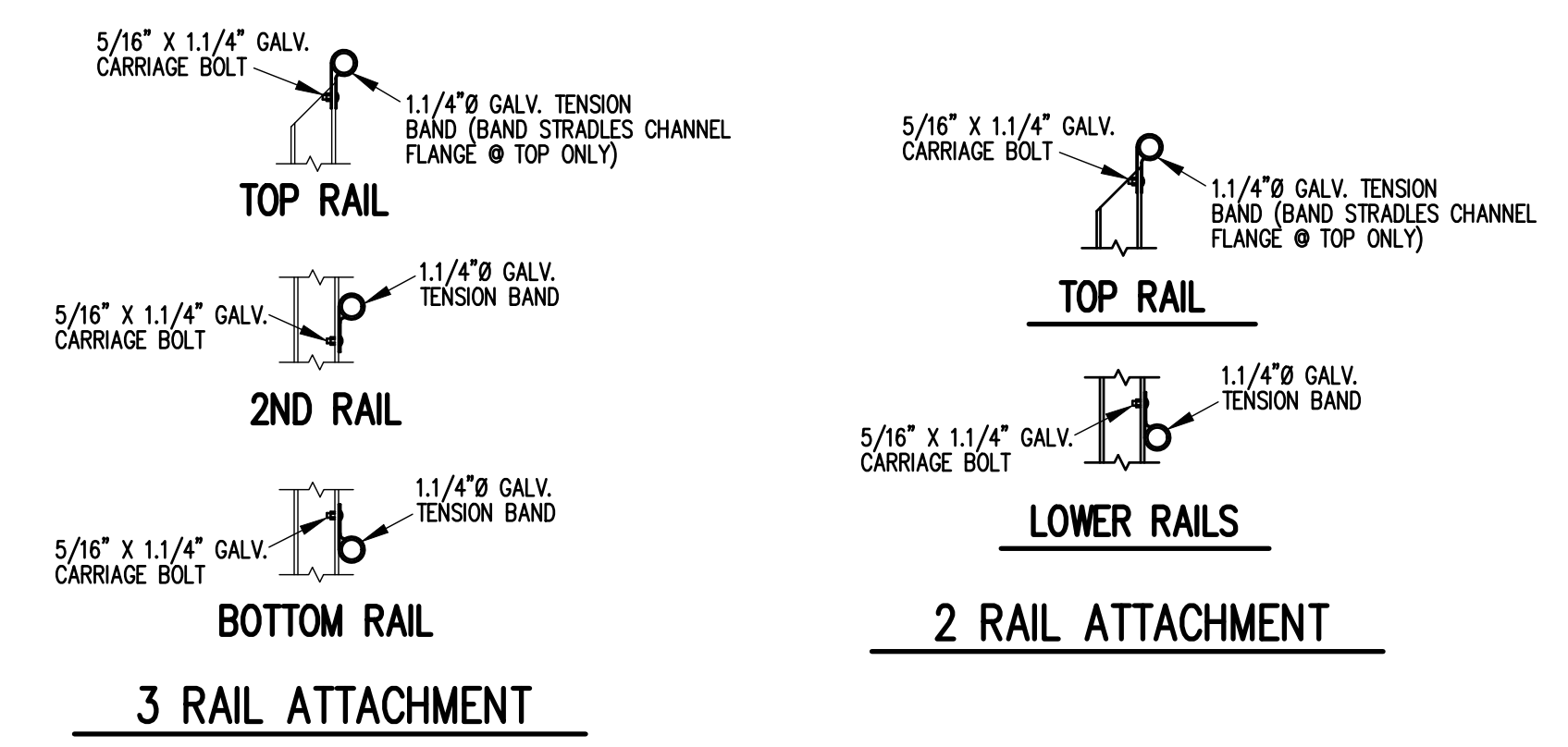
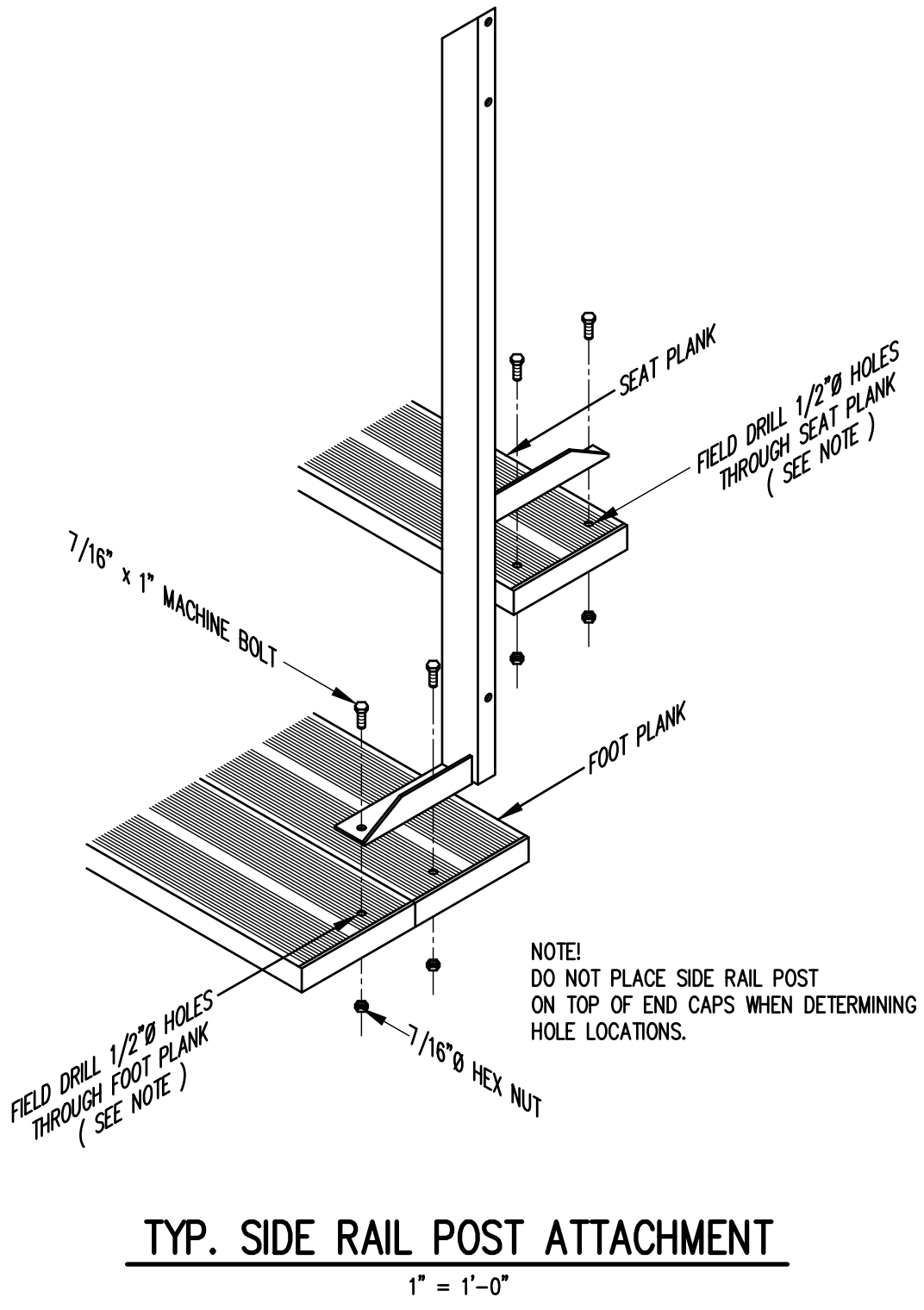
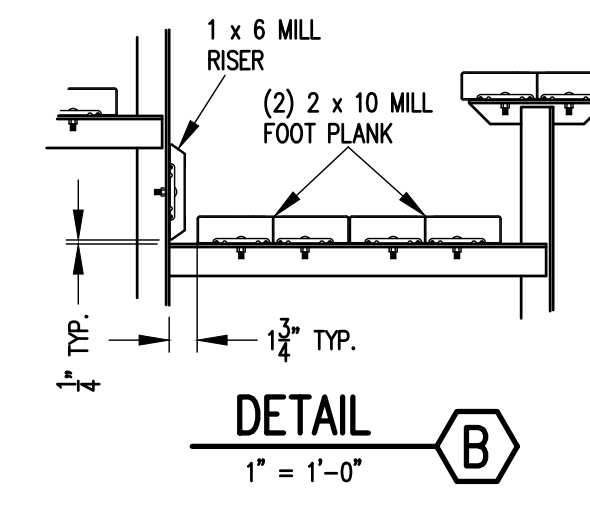
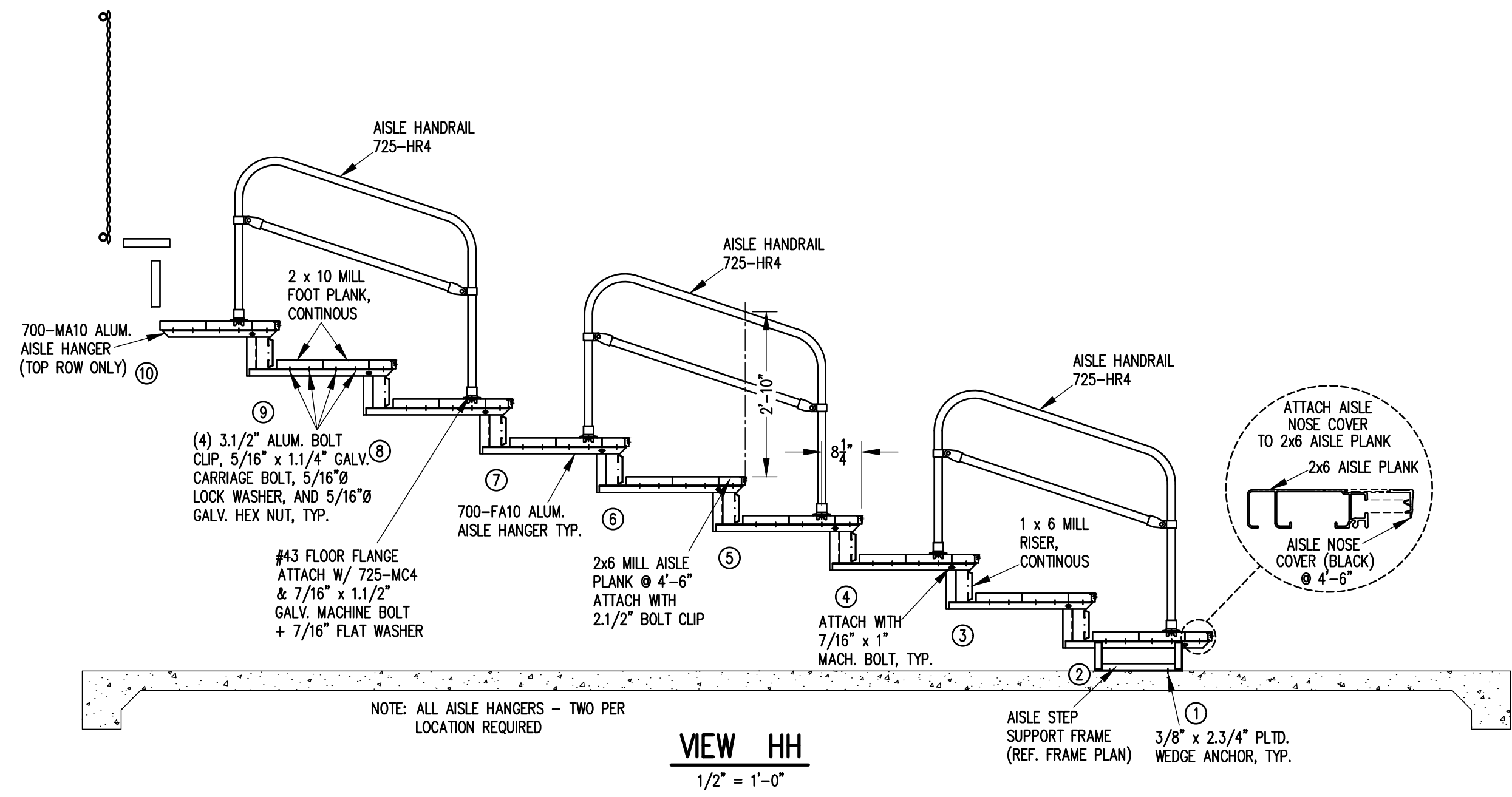
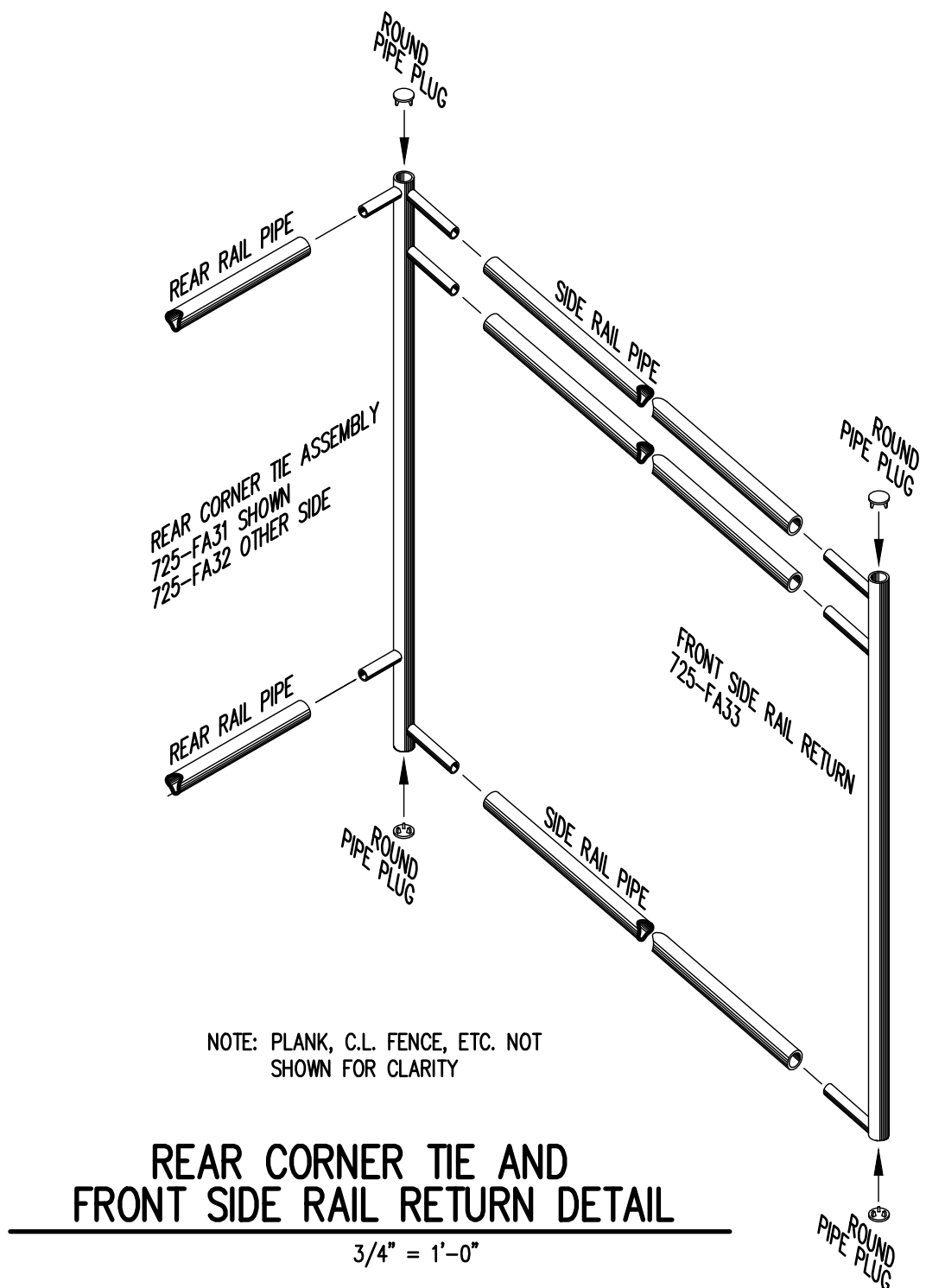
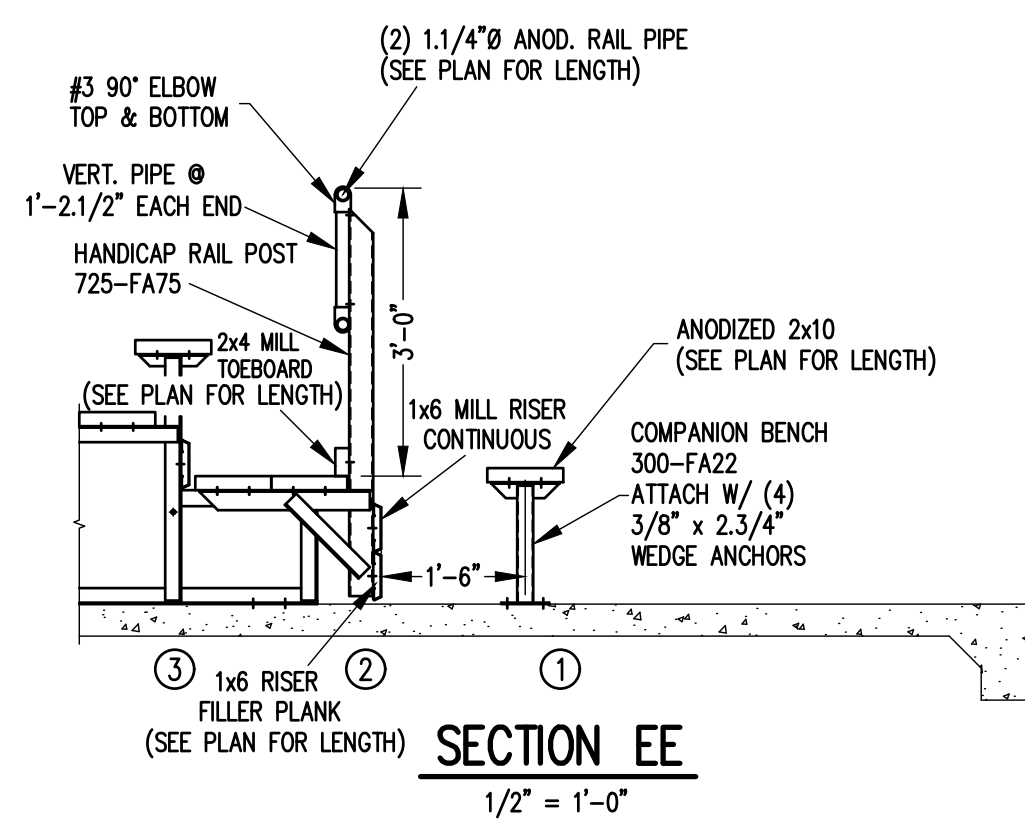
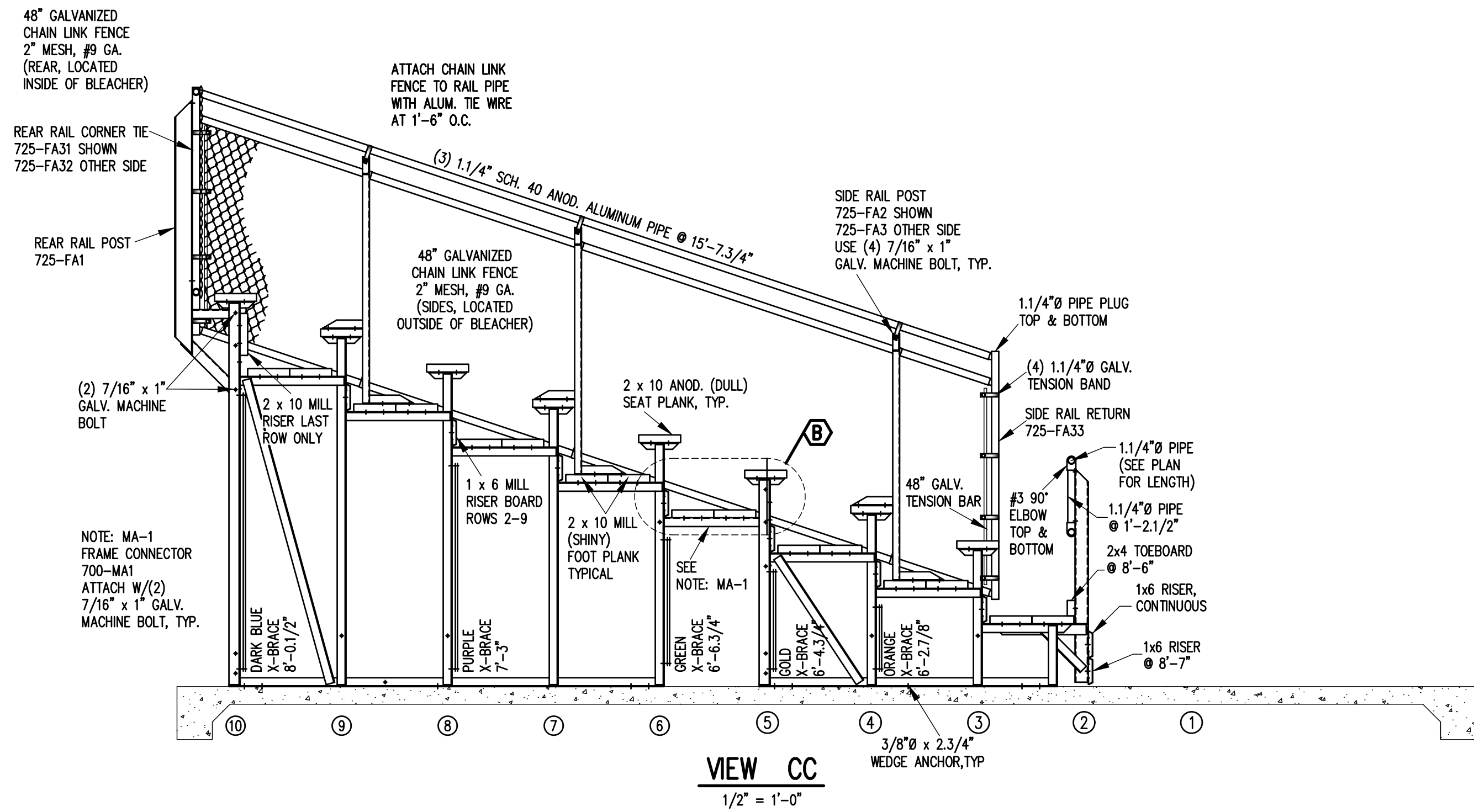
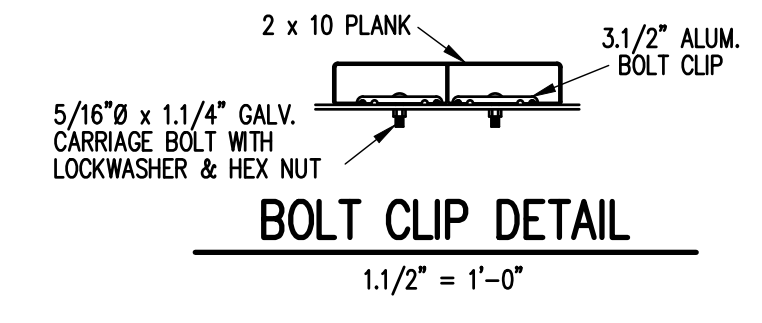
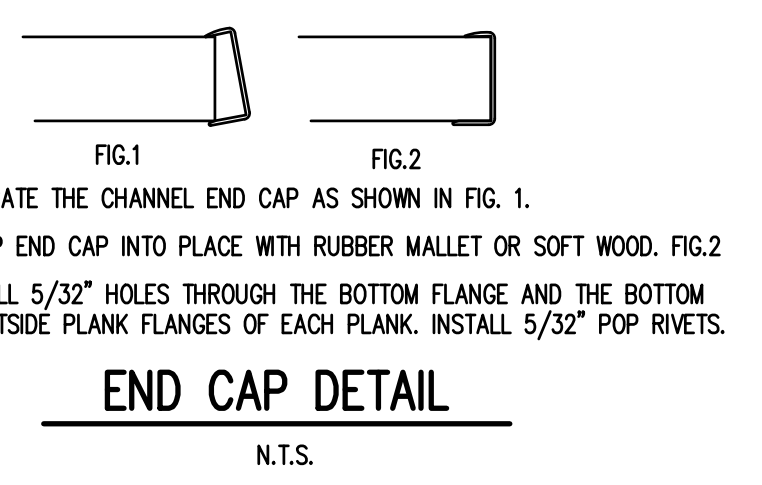


THIS MATERIAL IS OWNED BY AND IS THE SOLE AND EXCLUSIVE PROPERTY OF THE OUTDOOR ALUMINUM COMPANY INC., AND IS SUPPLIED TO THE OWNER ON A CONFIDENTIAL BASIS, SOLELY FOR USE IN CONNECTION WITH THE PROJECT LISTED AT RIGHT. FEDERAL LAW PROHIBITS THE REPRODUCTION, DISPLAY, SALE OR OTHER DISPOSITION OF THESE DOCUMENTS WITHOUT THE EXPRESS WRITTEN CONSENT OF THE OUTDOOR ALUMINUM COMPANY.

		P.O. BOX 118 GENEVA, ALABAMA 36340 334-694-2296	
SCALE	AS NOTED	REVISED	BY
DATE	3/29/19		
DRN	GDK		
APP'D			
TITLE	DLW-HC 10x27 ERECTION PLANS		NO.
			784-E2307



BOLT CLIP SCHEDULE	
3/2\" BOLT CLIP REQUIRED FOR	2/2\" BOLT CLIP REQUIRED FOR
2 x 10 PLANK	2 x 4 PLANK
1 x 6 RISER	2 x 6 AISLE



Outdoor Aluminum

SCALE: AS NOTED
 DATE: 3/29/19
 DRN: GDK
 TITLE: DLW-HC 10x27 SECTIONS AND DETAILS

784-E2308

THIS MATERIAL IS OWNED BY AND IS THE SOLE AND EXCLUSIVE PROPERTY OF THE OUTDOOR ALUMINUM COMPANY INC., AND IS SUPPLIED TO THE OWNER ON A CONFIDENTIAL BASIS, SOLELY FOR USE IN CONNECTION WITH THE PROJECT LISTED AT RIGHT. FEDERAL LAW PROHIBITS THE REPRODUCTION, DISPLAY, SALE OR OTHER DISPOSITION OF THESE DOCUMENTS WITHOUT THE EXPRESS WRITTEN CONSENT OF THE OUTDOOR ALUMINUM COMPANY.