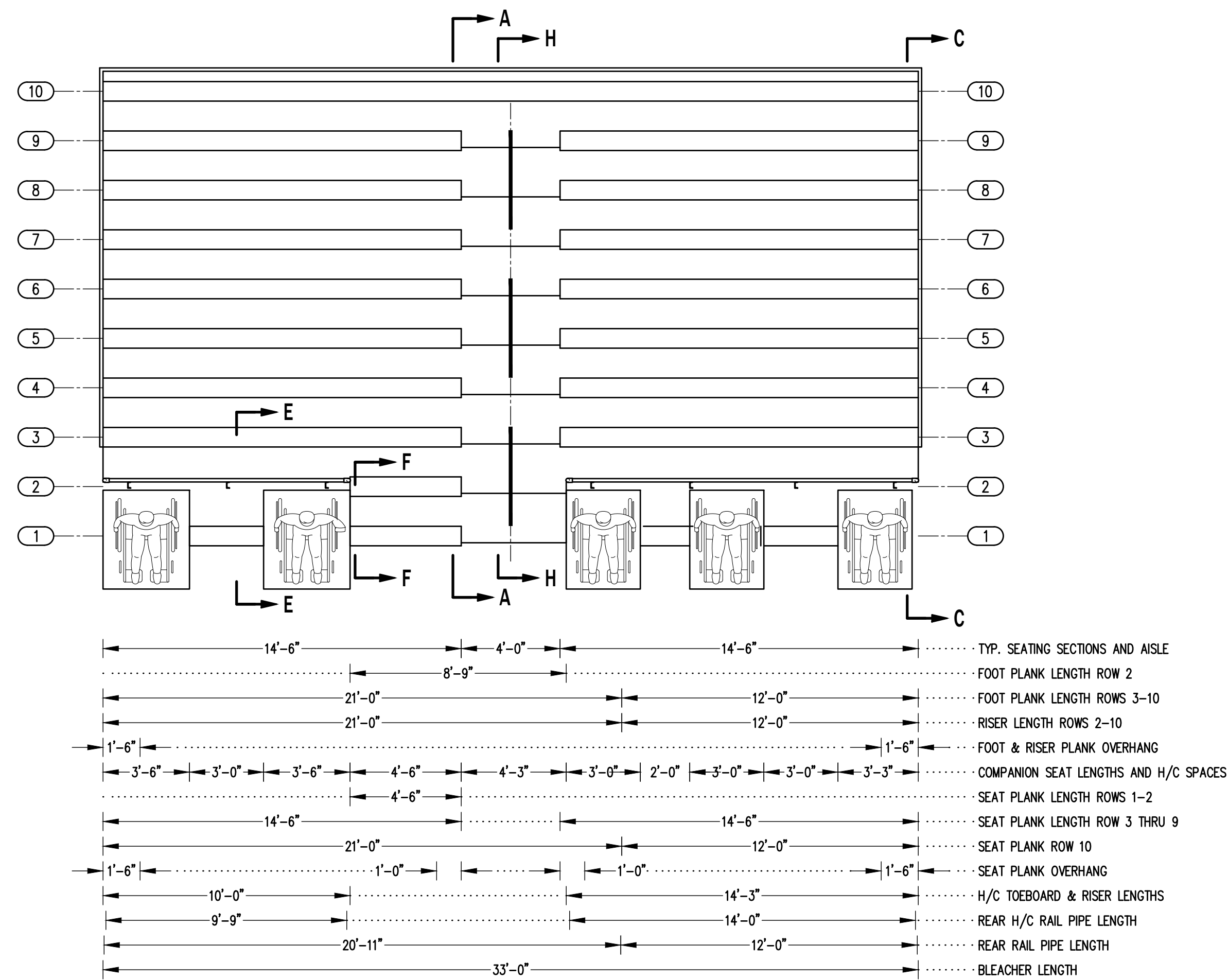
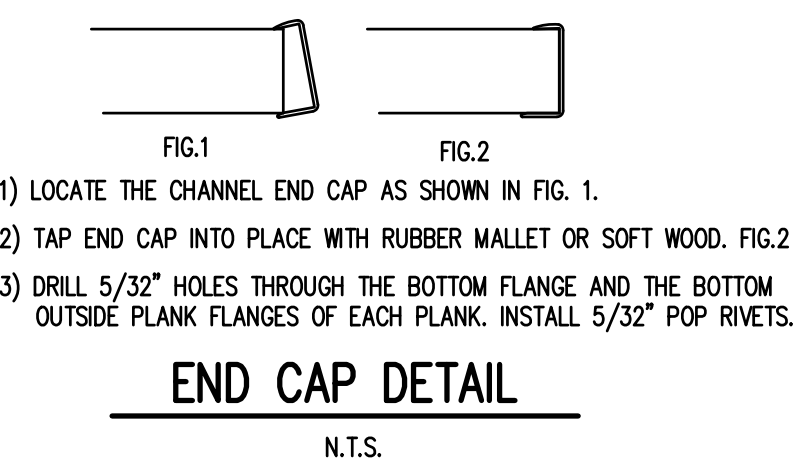
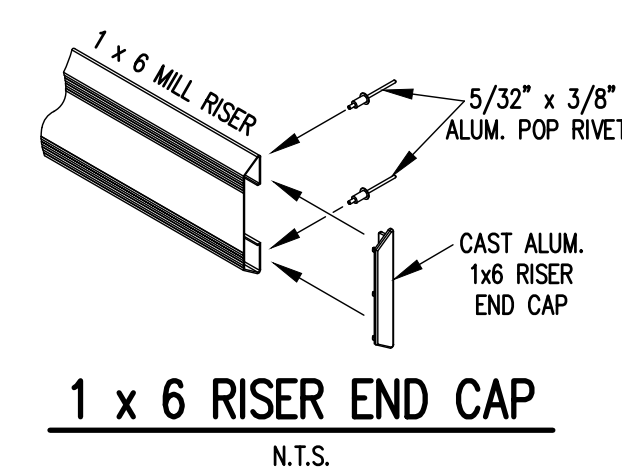
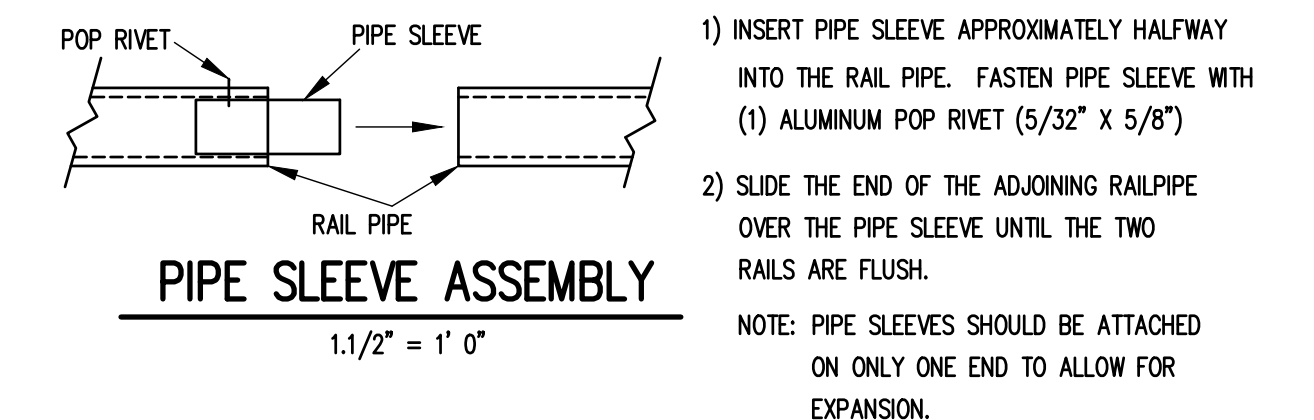
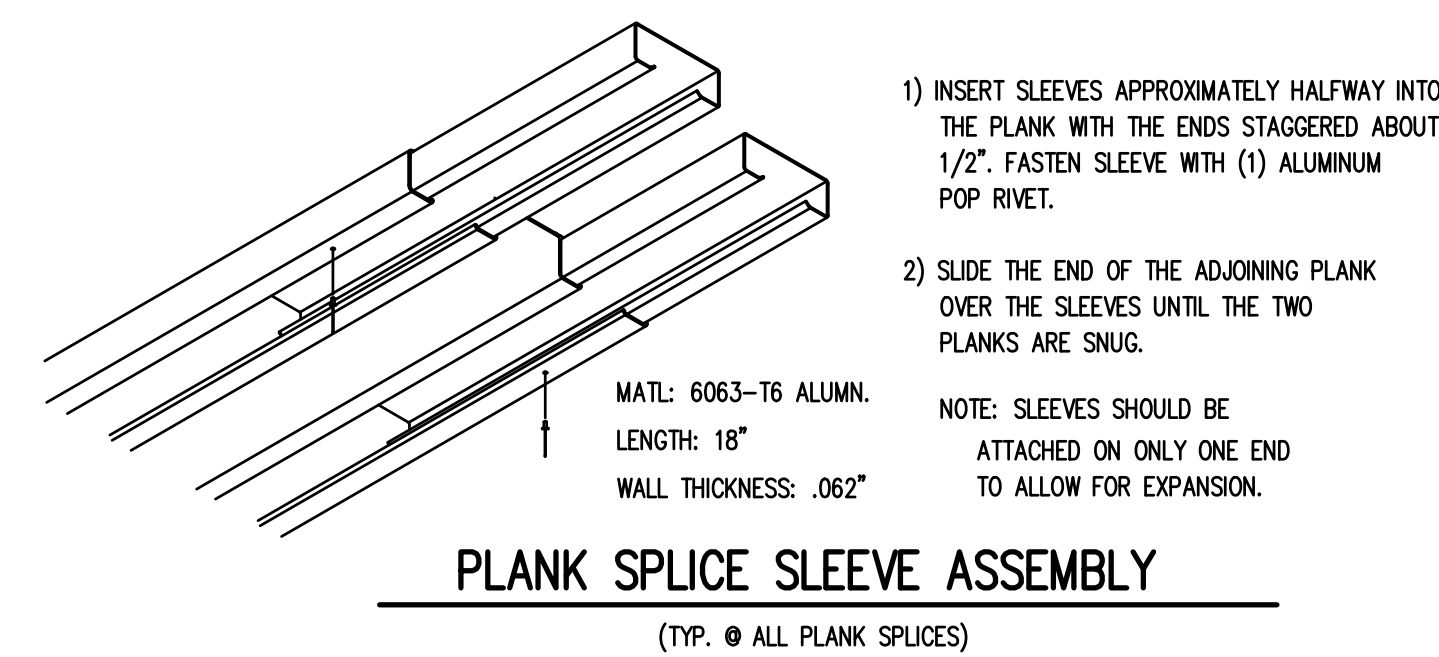
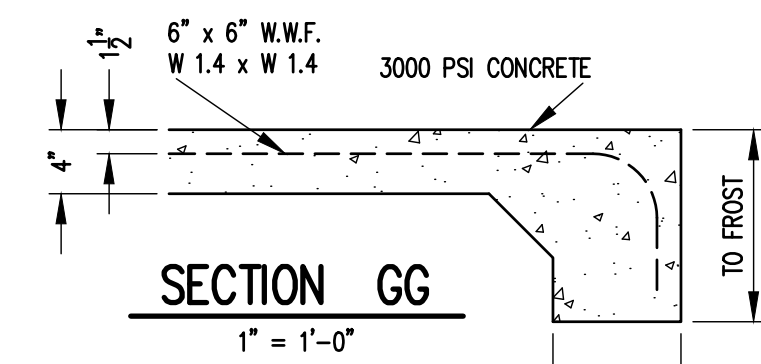
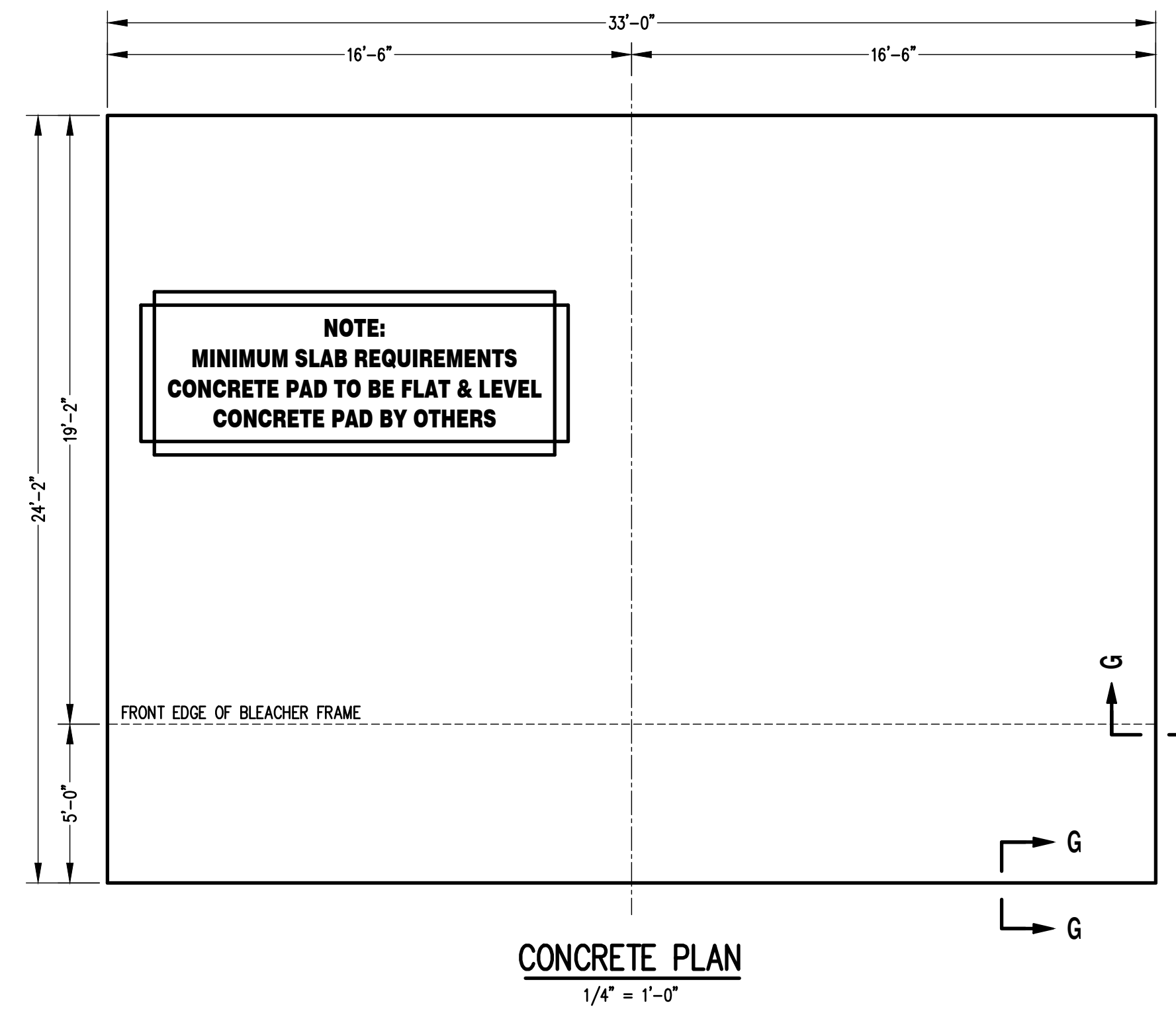


FRAMING PLAN
1/4" = 1'-0"



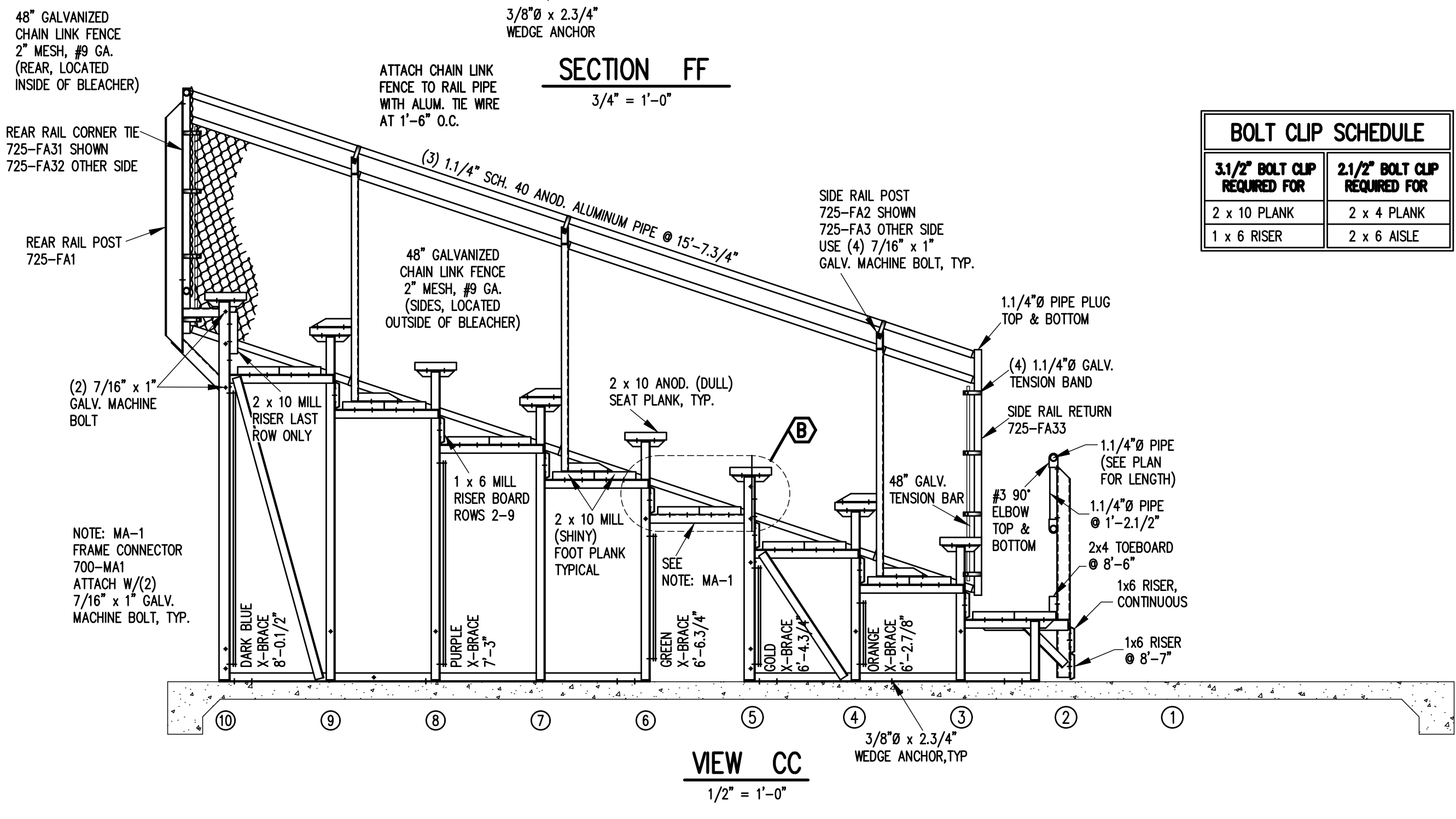
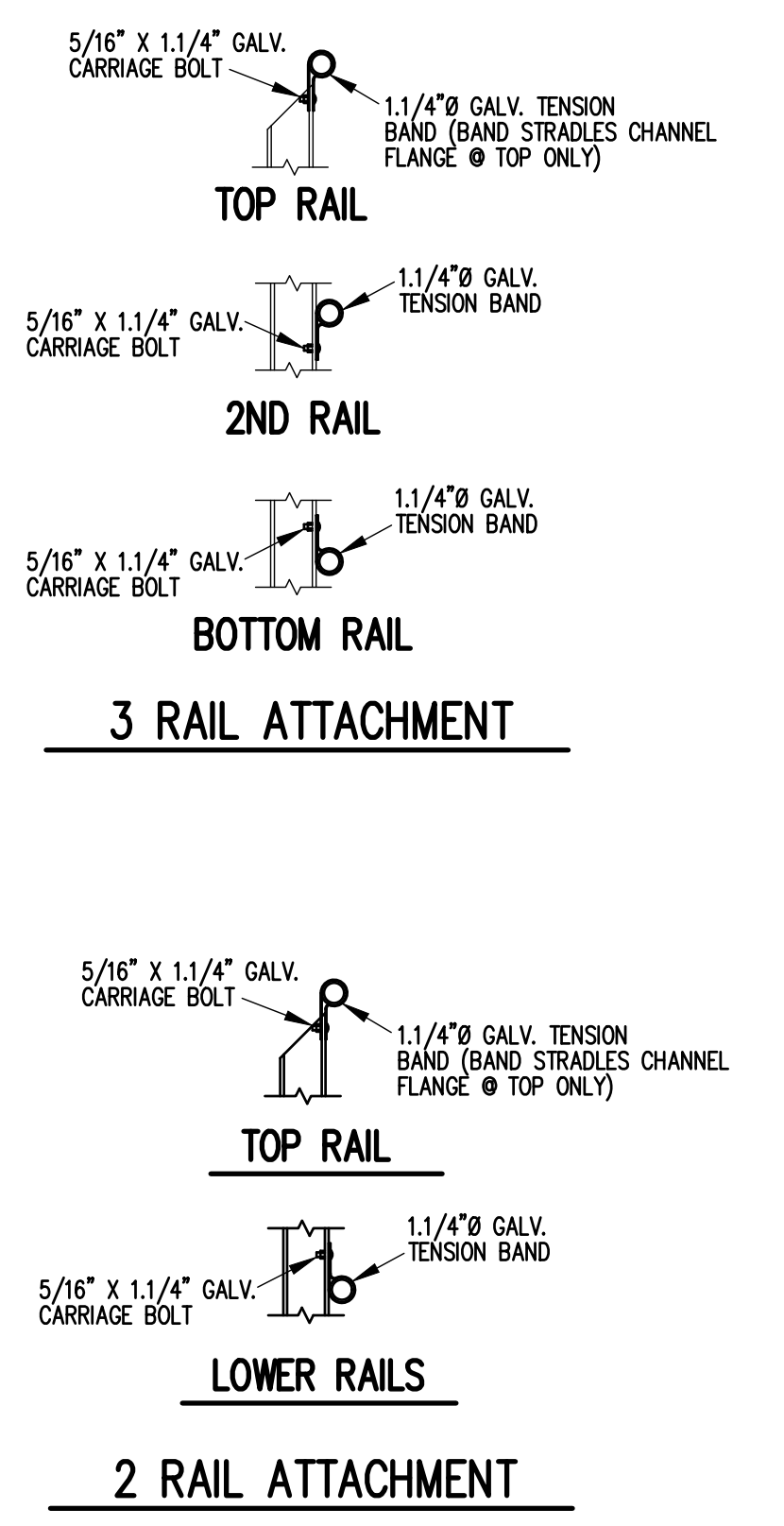
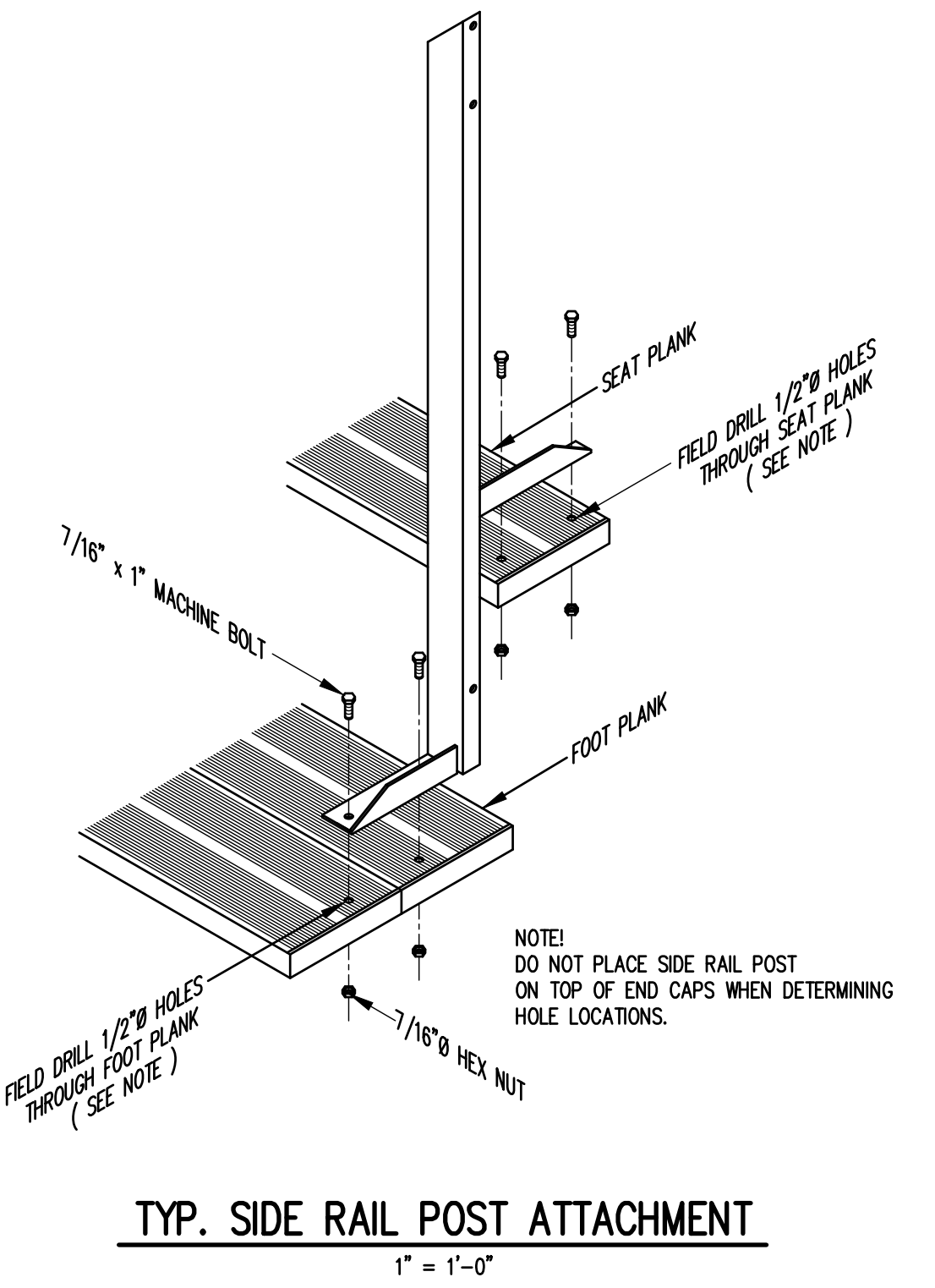
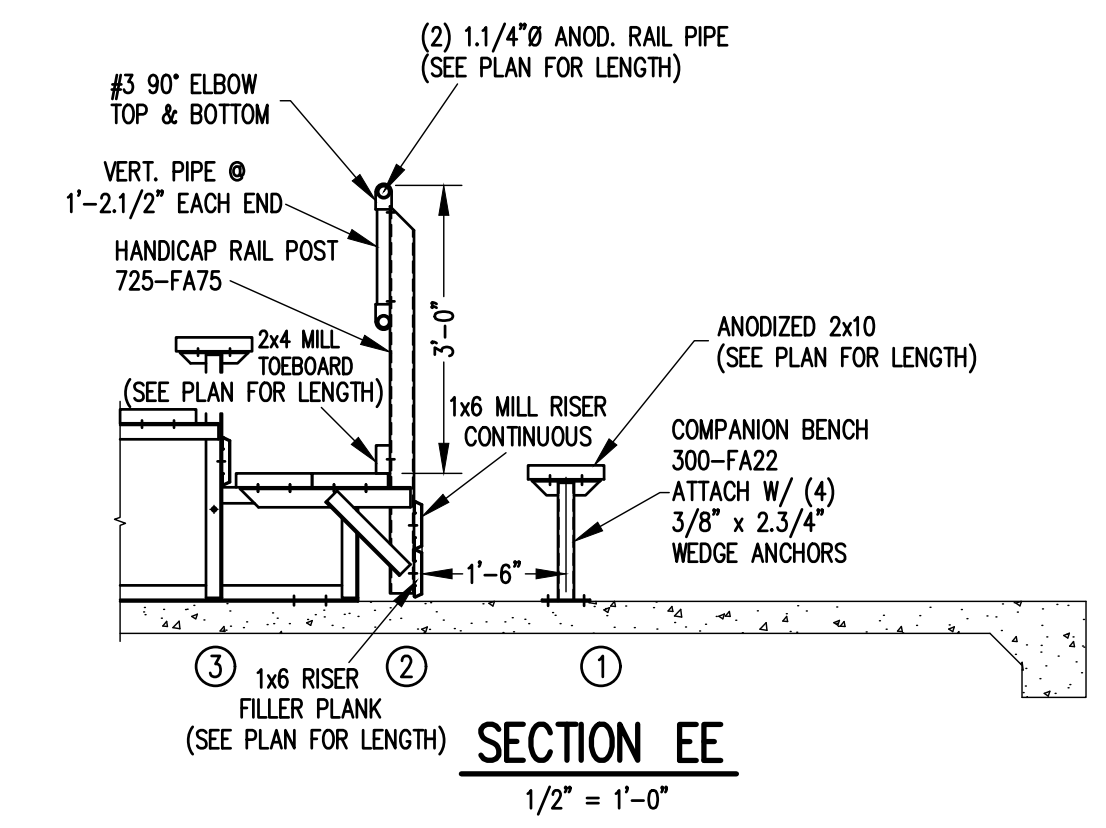
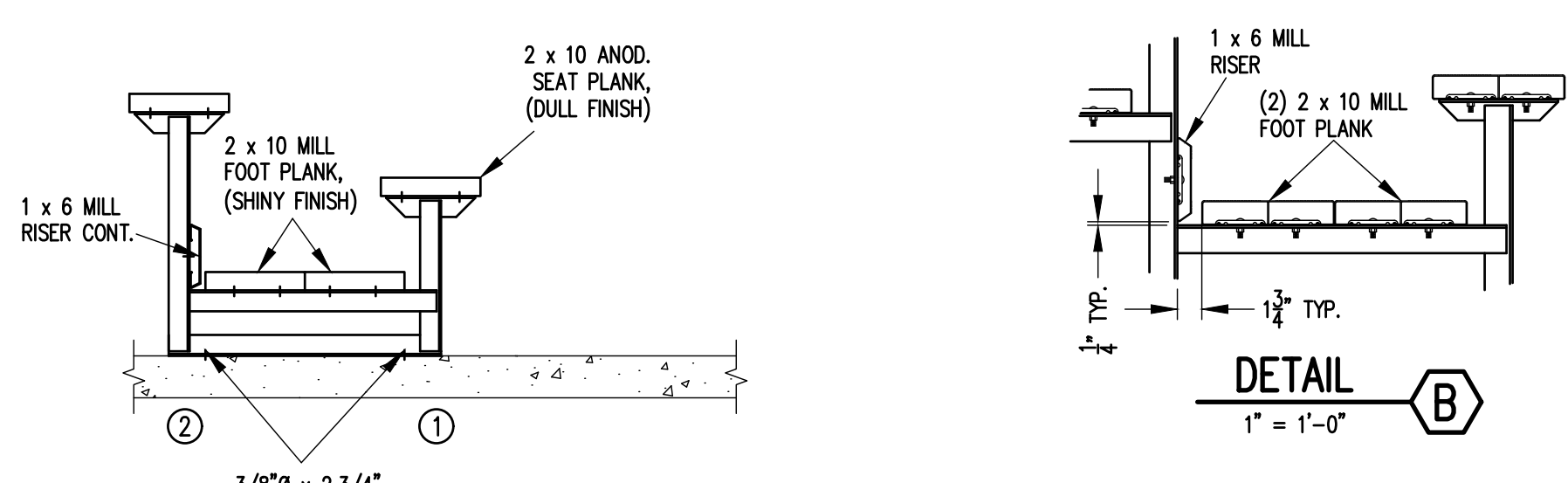
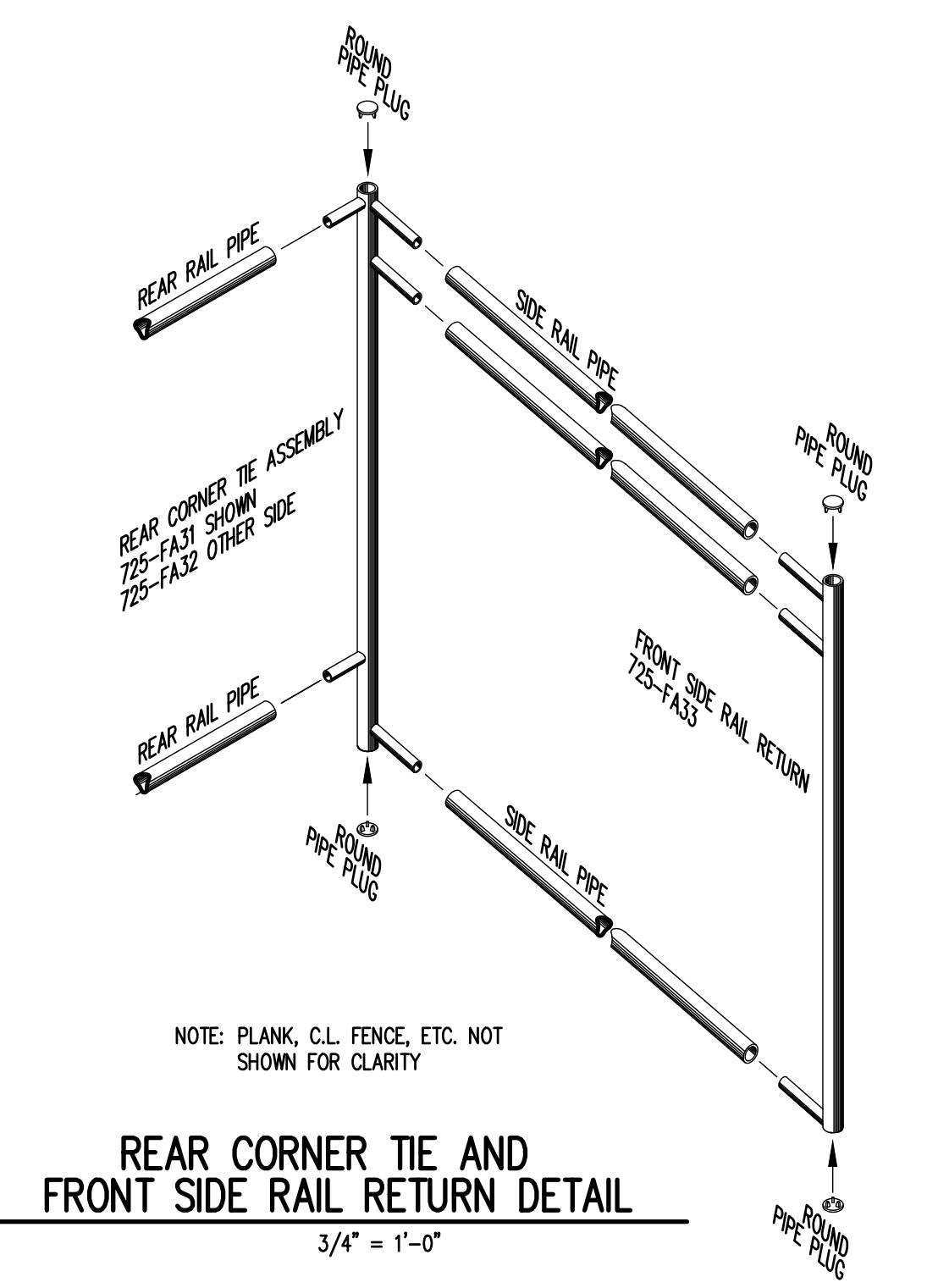
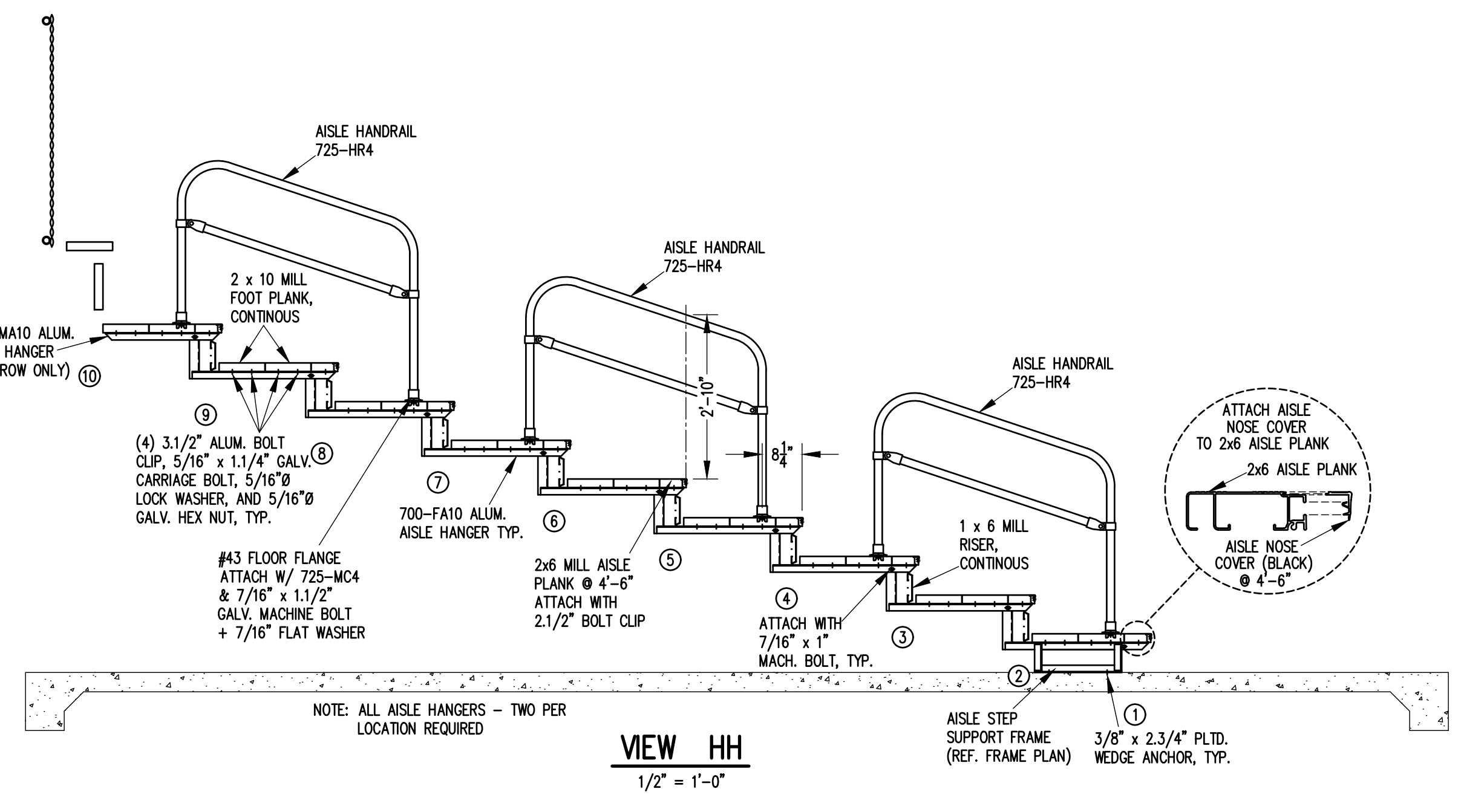
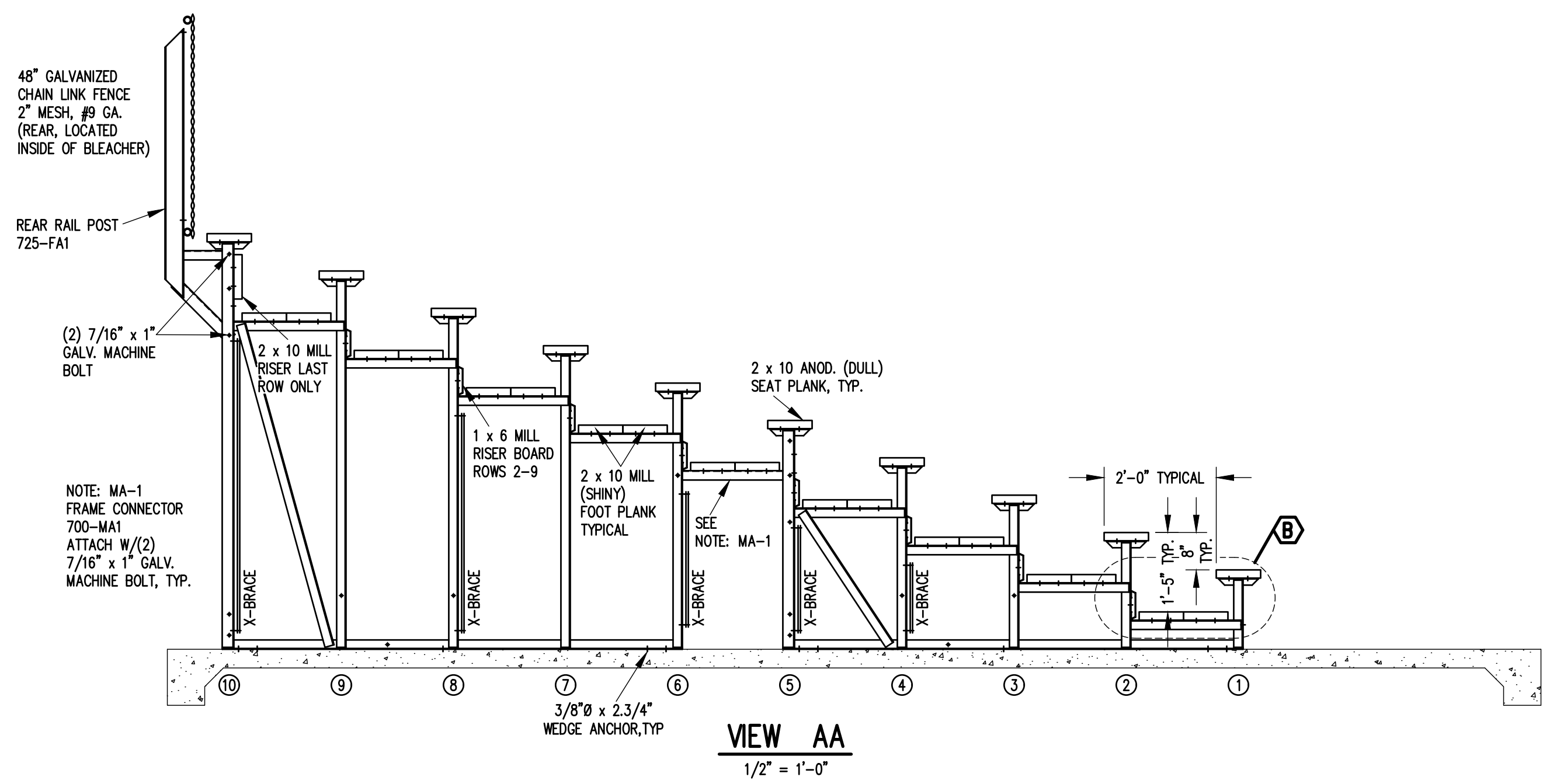
SEATING PLAN
1/4" = 1'-0"

154 NET SEATS @ 18" PER SEAT
5 HDCP @ 36" PER SPACE
5 COMPANIONS @ 18"
164 TOTAL

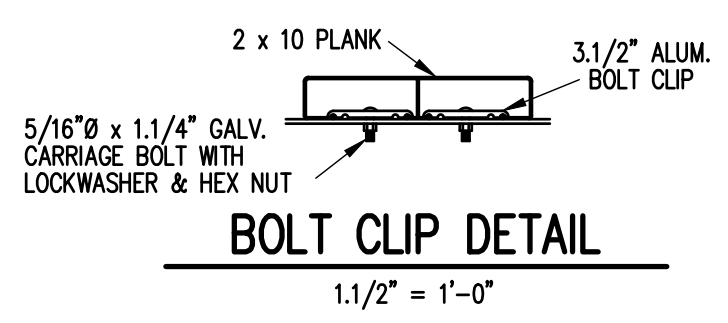


THIS MATERIAL IS OWNED BY AND IS THE SOLE AND EXCLUSIVE PROPERTY OF THE OUTDOOR ALUMINUM COMPANY INC., AND IS SUPPLIED TO THE OWNER ON A CONFIDENTIAL BASIS, SOLELY FOR USE IN CONNECTION WITH THE PROJECT LISTED AT RIGHT. FEDERAL LAW PROHIBITS THE REPRODUCTION, DISPLAY, SALE OR OTHER DISPOSITION OF THESE DOCUMENTS WITHOUT THE EXPRESS WRITTEN CONSENT OF THE OUTDOOR ALUMINUM COMPANY.

		Outdoor Aluminum		P.O. BOX 118 GENEVA, ALABAMA 36340 334-694-2266
		SCALE: AS NOTED	REVISIONS:	BY:
DATE: 3/29/19	DRN: GDK	DES:	CHECK:	APPROVED:
FILE:				NO.
DLW-HC 10x33 ERECTION PLANS				784-E2309



BOLT CLIP SCHEDULE	
3/1/2" BOLT CLIP REQUIRED FOR	2 1/2" BOLT CLIP REQUIRED FOR
2 x 10 PLANK	2 x 4 PLANK
1 x 6 RISER	2 x 6 AISLE



		P.O. BOX 118 GENEVA, ALABAMA 36540	
SCALE	AS NOTED	REVISED	BY
DATE	3/29/19		
DRN	GDK		
APPD			
TITLE	DLW-HC 10x33 SECTIONS AND DETAILS		NO.
			784-E2310

THIS MATERIAL IS OWNED BY AND IS THE SOLE AND EXCLUSIVE PROPERTY OF THE OUTDOOR ALUMINUM COMPANY INC., AND IS SUPPLIED TO THE OWNER ON A CONFIDENTIAL BASIS, SOLELY FOR USE IN CONNECTION WITH THE PROJECT LISTED AT RIGHT. FEDERAL LAW PROHIBITS THE REPRODUCTION, DISPLAY, SALE OR OTHER DISPOSITION OF THESE DOCUMENTS WITHOUT THE EXPRESS WRITTEN CONSENT OF THE OUTDOOR ALUMINUM COMPANY.