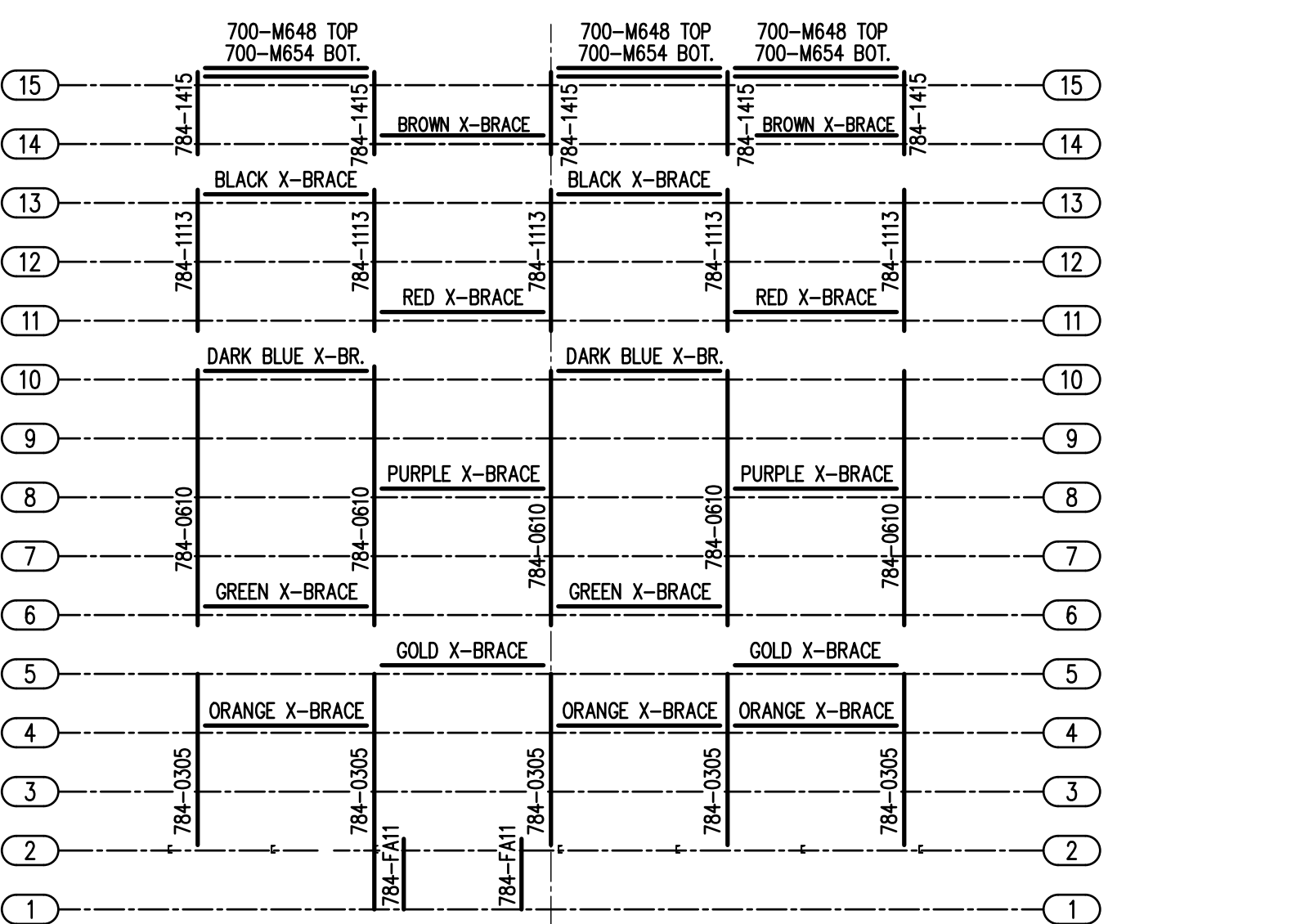


SEATING PLAN

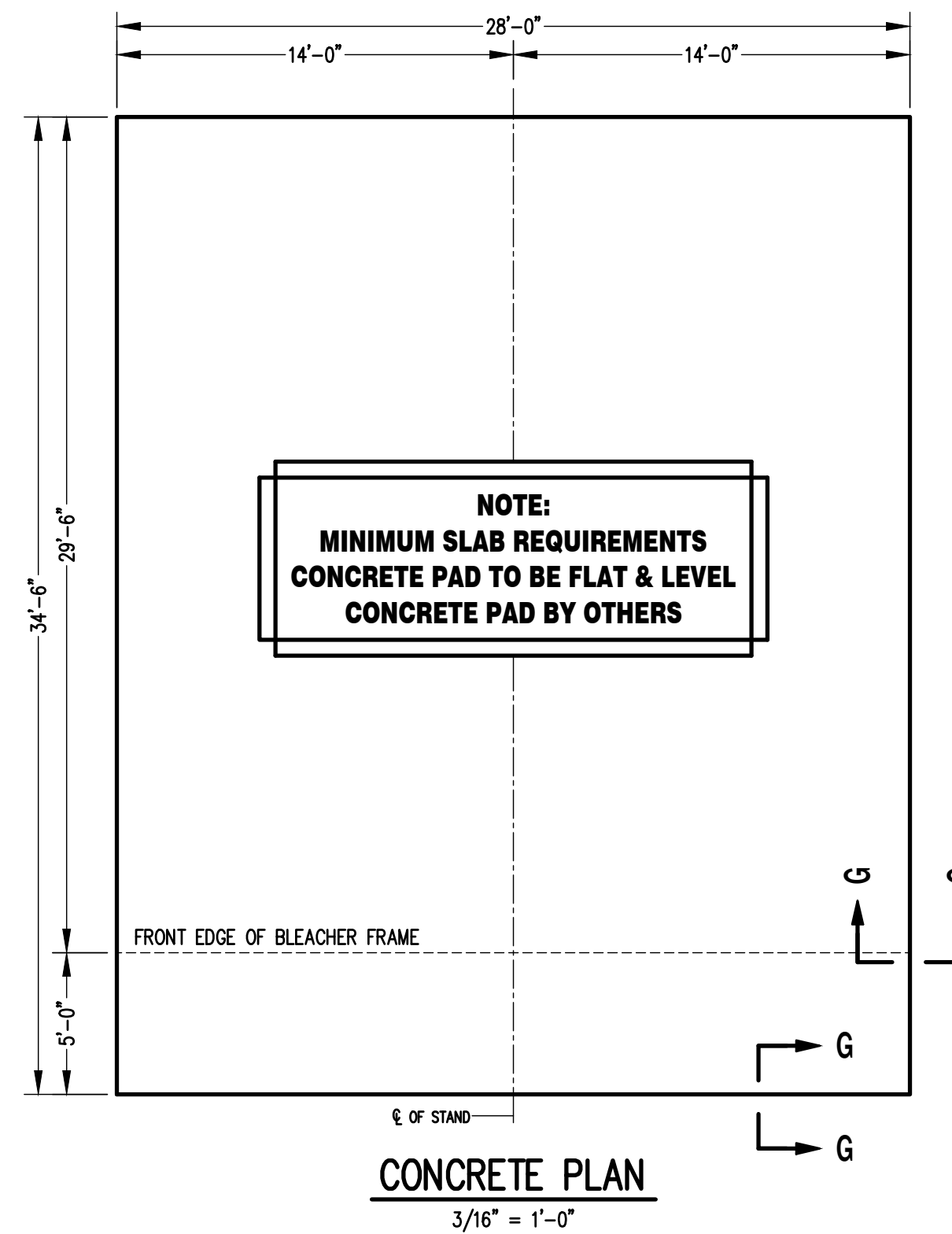
3/16" = 1'-0"

186 NET SEATS @ 18" PER SEAT
 5 HDCP @ 36" PER SPACE
 5 COMPANIONS @ 18"
 196 TOTAL



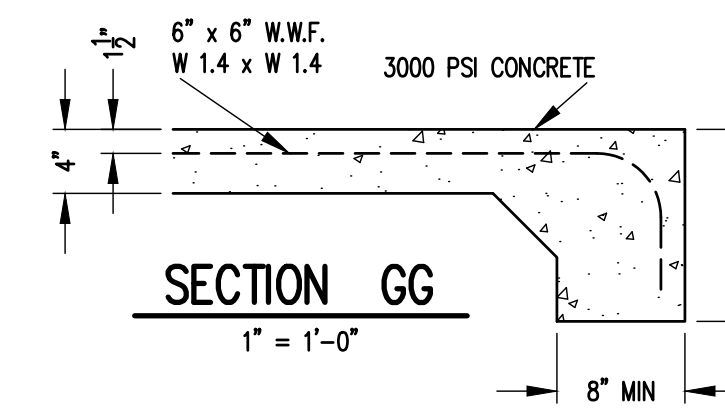
FRAMING PLAN

3/16" = 1'-0"



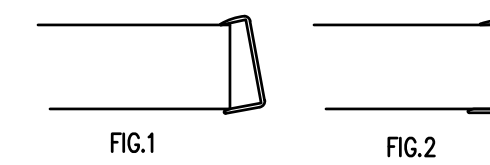
CONCRETE PLAN

3/16" = 1'-0"



SECTION GG

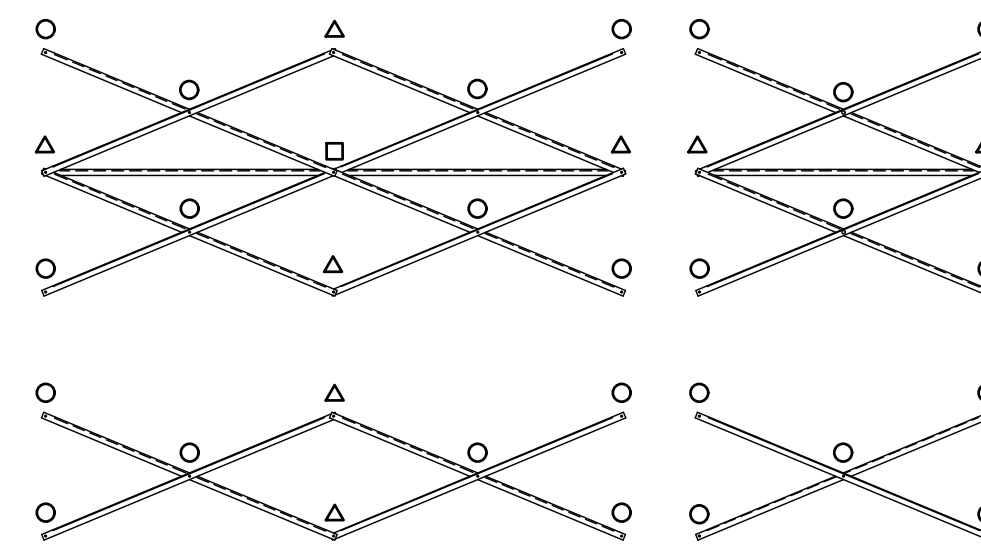
1" = 1'-0"



- 1) LOCATE THE CHANNEL END CAP AS SHOWN IN FIG. 1.
- 2) TAP END CAP INTO PLACE WITH RUBBER Mallet OR SOFT WOOD. FIG.2
- 3) DRILL 5/32" HOLES THROUGH THE BOTTOM FLANGE AND THE BOTTOM OUTSIDE PLANK FLANGES OF EACH PLANK. INSTALL 5/32" POP RIVETS.

END CAP DETAIL

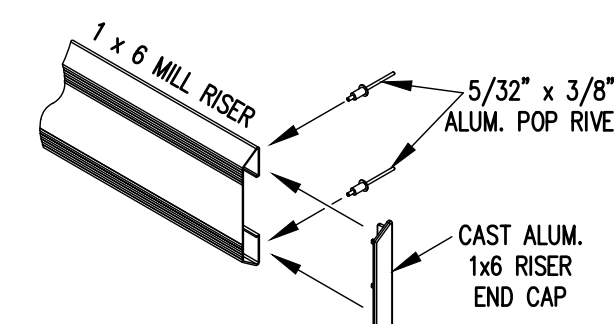
N.T.S.



X-BRACE DETAIL

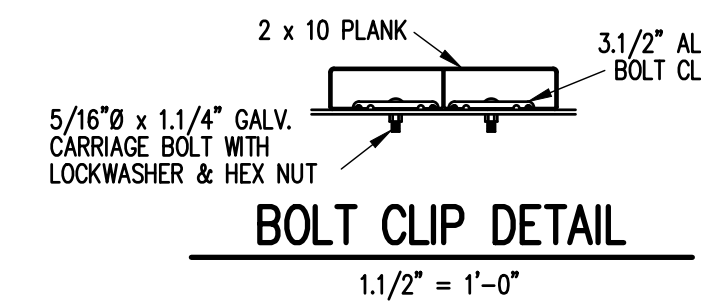
N.T.S.

- 7/16" X 1" GALV. MACH. BOLT
- △ 7/16" X 1.1/2" GALV. MACH. BOLT
- 7/16" X 3" GALV. MACH. BOLT



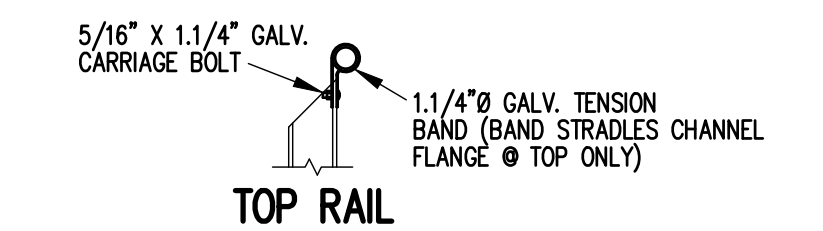
1 x 6 RISER END CAP

N.T.S.

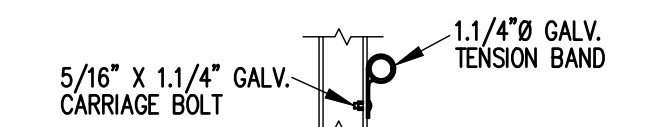


BOLT CLIP DETAIL

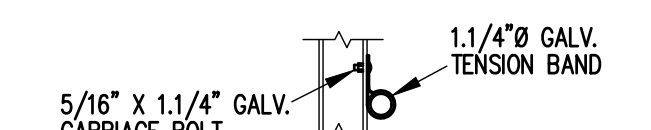
1.1/2" = 1'-0"



TOP RAIL

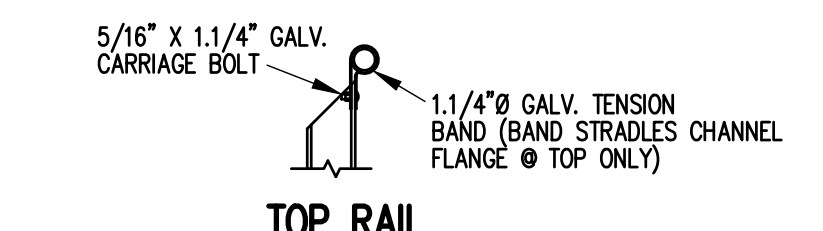


2ND RAIL



BOTTOM RAIL

3 RAIL ATTACHMENT



TOP RAIL



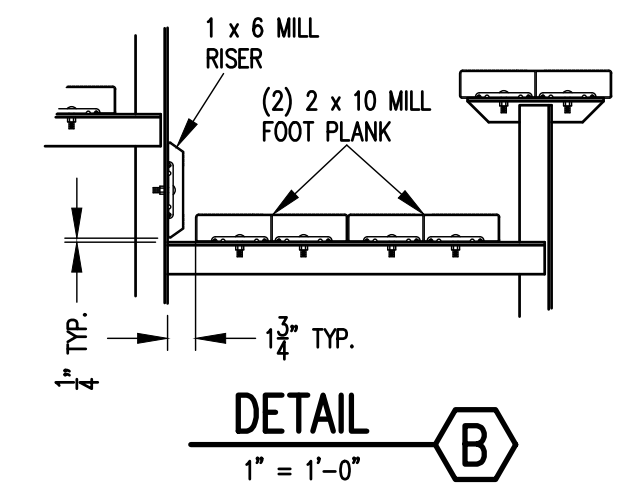
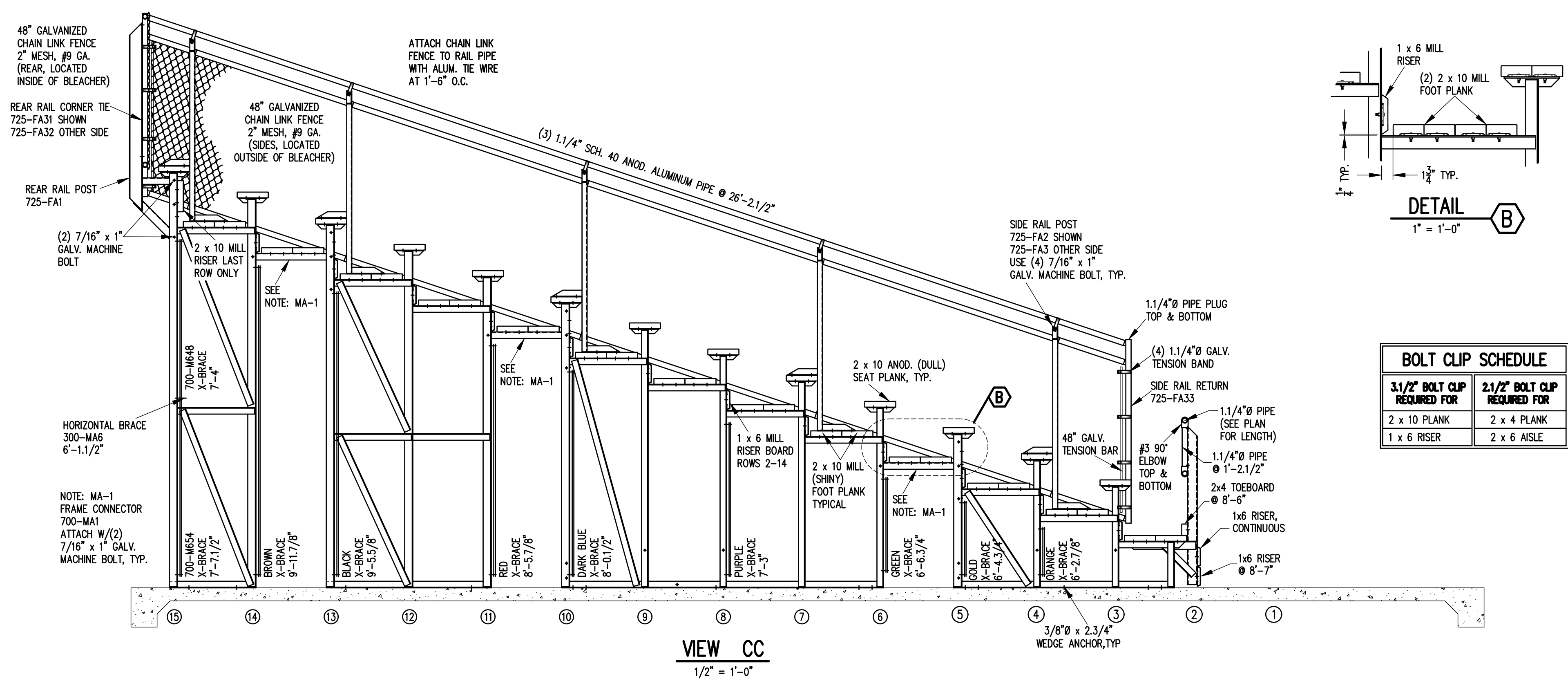
LOWER RAILS

2 RAIL ATTACHMENT

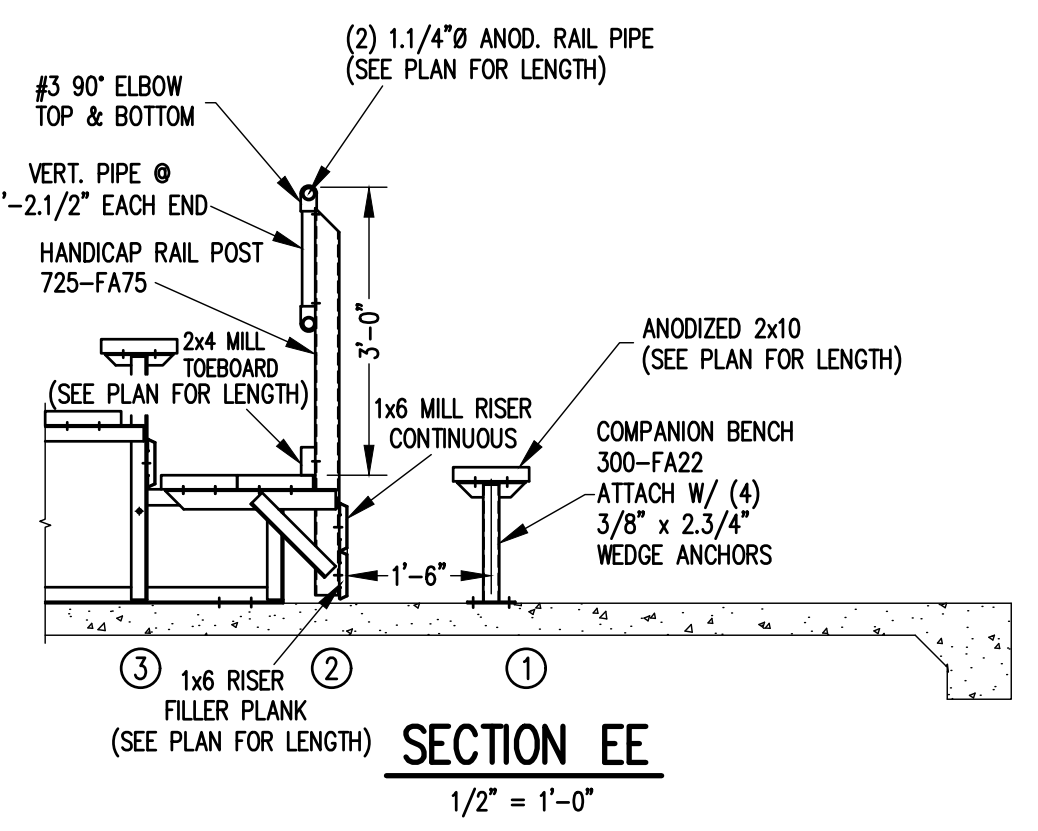
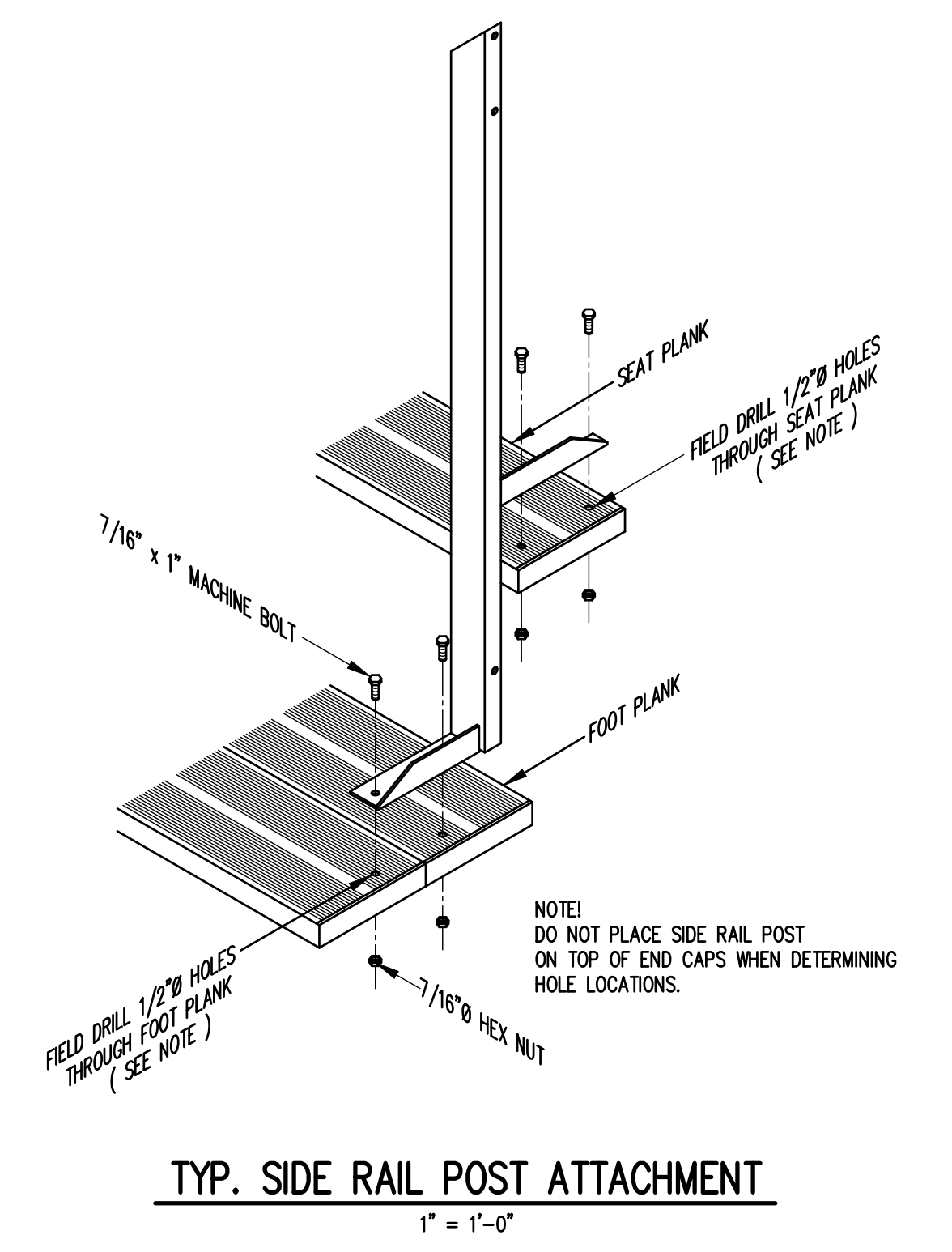
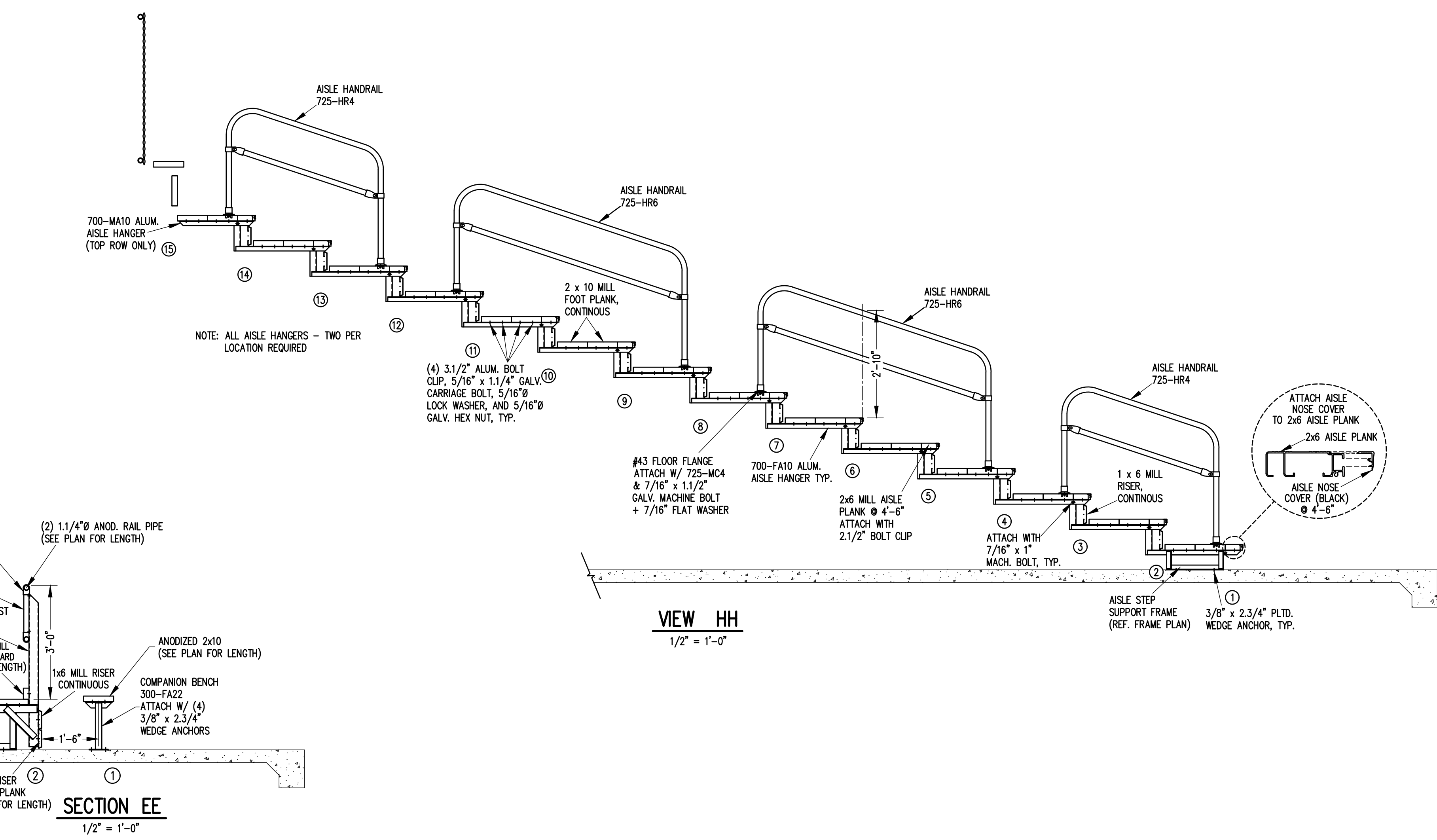
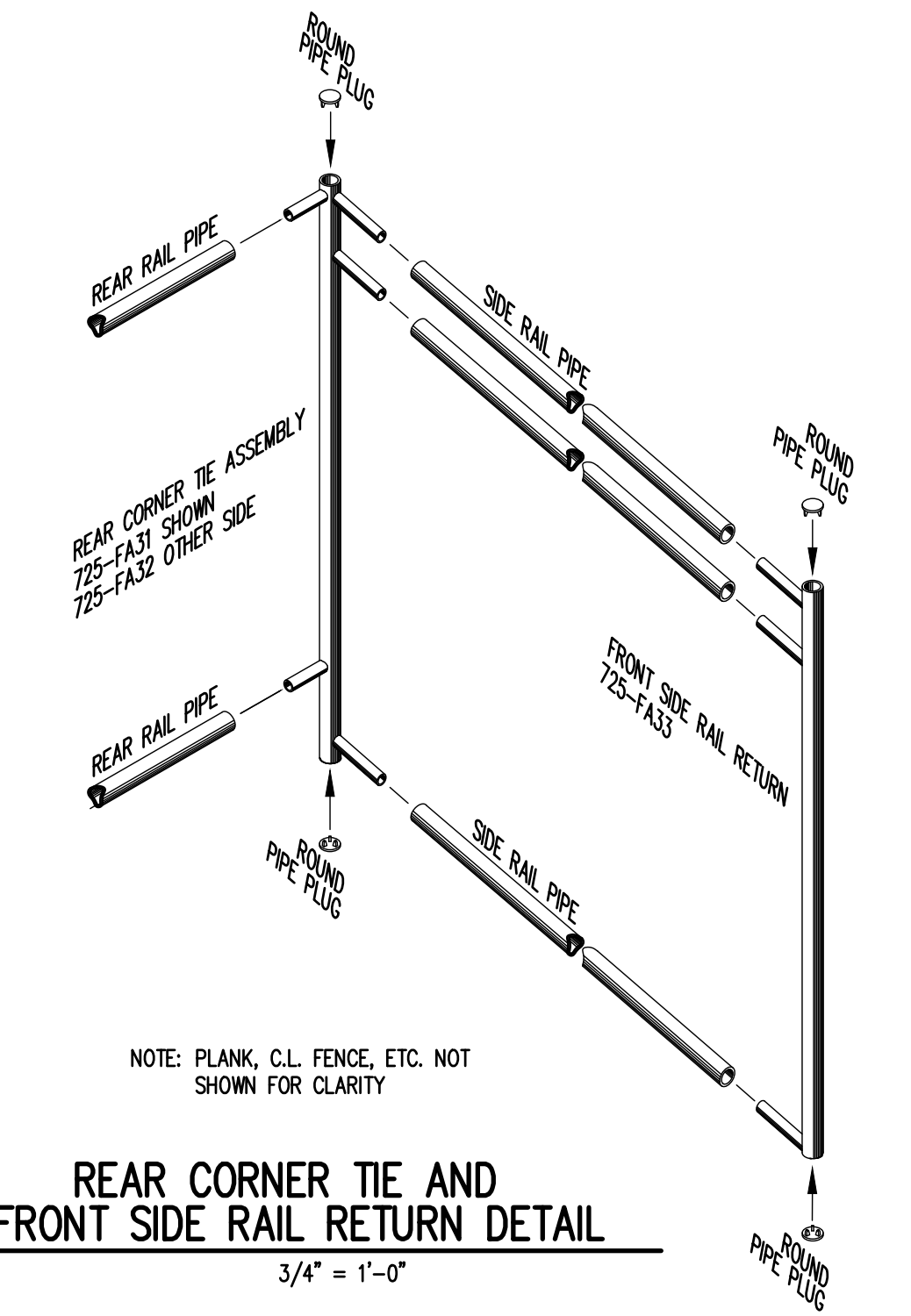
		Outdoor Aluminum		P.O. BOX 118 GENEVA, ALABAMA 36540 334-694-2296
		SCALE: AS NOTED	DATE: 3/29/19	BY:
DRN:	CDR:	CHECKED:	APPROVED:	TITLE:
DLW-HC 15x27 PLANS				784-E2311

THIS MATERIAL IS OWNED BY AND IS THE SOLE AND EXCLUSIVE PROPERTY OF THE OUTDOOR ALUMINUM COMPANY, INC., AND IS SUPPLIED TO THE OWNER ON A CONFIDENTIAL BASIS, SOLELY FOR USE IN CONNECTION WITH THE PROJECT LISTED AT RIGHT. FEDERAL LAW PROHIBITS THE REPRODUCTION, DISPLAY, SALE OR OTHER DISPOSITION OF THESE DOCUMENTS WITHOUT THE EXPRESS WRITTEN CONSENT OF THE OUTDOOR ALUMINUM COMPANY.

Richard Barrios
 Consulting Engineer, Inc.
 10212 Worthington Lane
 Prospect, Kentucky
 (502) 412-2199



BOLT CLIP SCHEDULE	
3 1/2\" BOLT CLIP REQUIRED FOR	2 1/2\" BOLT CLIP REQUIRED FOR
2 x 10 PLANK	2 x 4 PLANK
1 x 6 RISER	2 x 6 AISLE



THIS MATERIAL IS OWNED BY AND IS THE SOLE AND EXCLUSIVE PROPERTY OF THE OUTDOOR ALUMINUM COMPANY INC., AND IS SUPPLIED TO THE OWNER ON A CONFIDENTIAL BASIS, SOLELY FOR USE IN CONNECTION WITH THE PROJECT LISTED AT RIGHT. FEDERAL LAW PROHIBITS THE REPRODUCTION, DISPLAY, SALE OR OTHER DISPOSITION OF THESE DOCUMENTS WITHOUT THE EXPRESS WRITTEN CONSENT OF THE OUTDOOR ALUMINUM COMPANY.

Richard Barrios
Consulting Engineer, Inc.
10212 Worthington Lane
Prospect, Kentucky
(502) 412-2189

Outdoor Aluminum		P.O. BOX 118 GENEVA, ALABAMA 36540 334-694-2266
SCALE: AS NOTED	REVISED:	BY: DATE:
DATE: 3/29/19		
DRN: GCB	DESIGN:	
APPD:		
FILE:		
DLW-HC 15x27 SECTIONS AND DETAILS		784-E2312