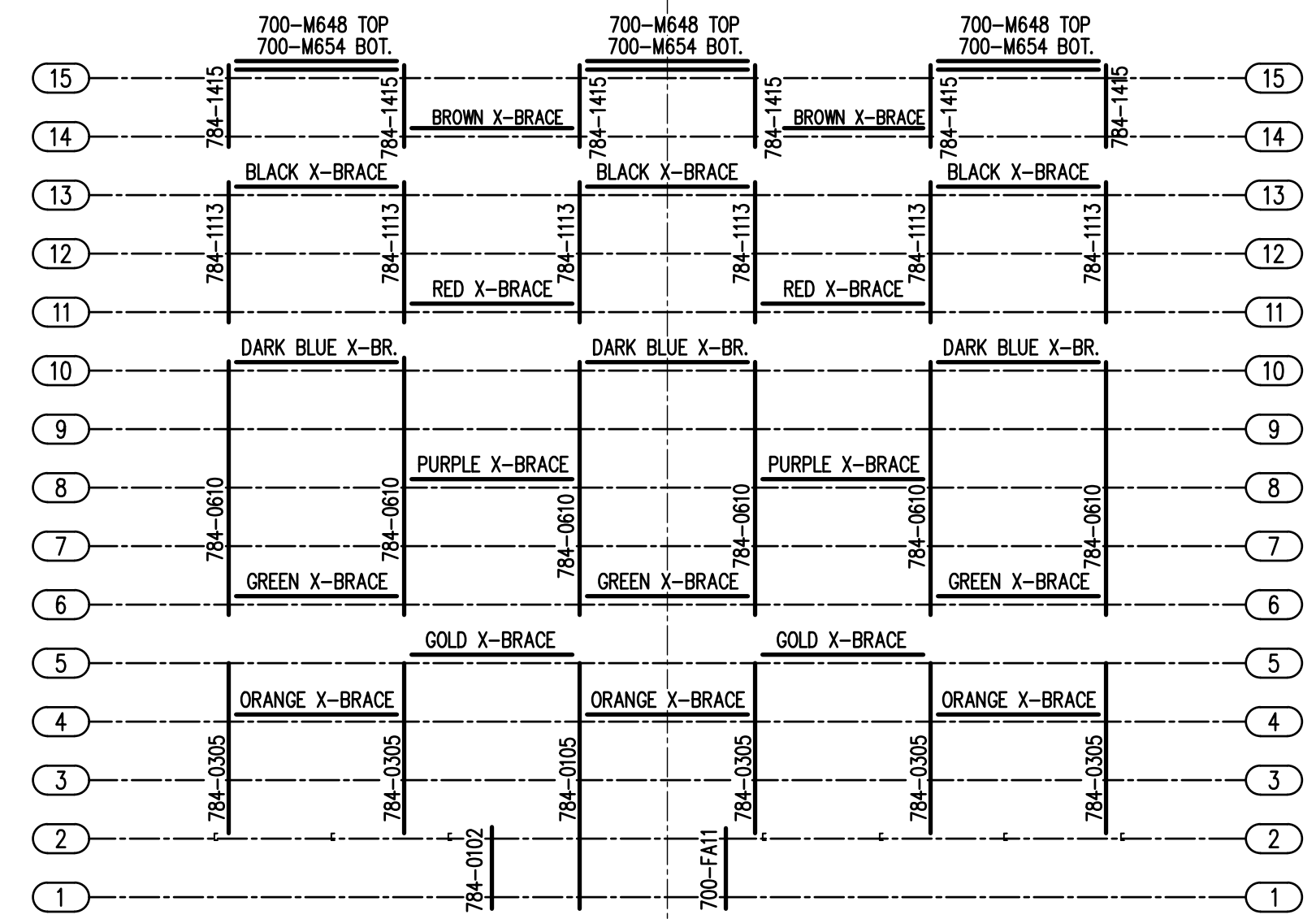
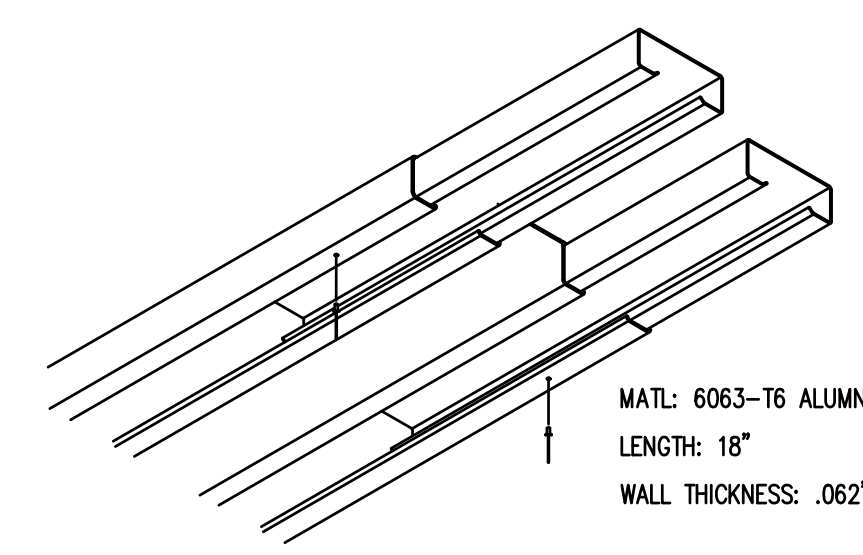
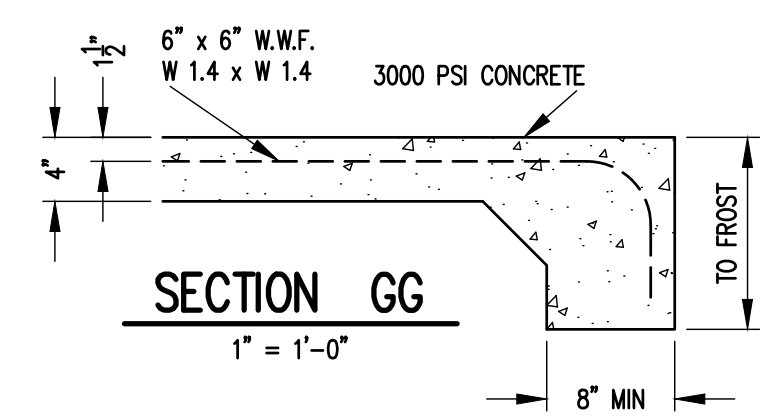
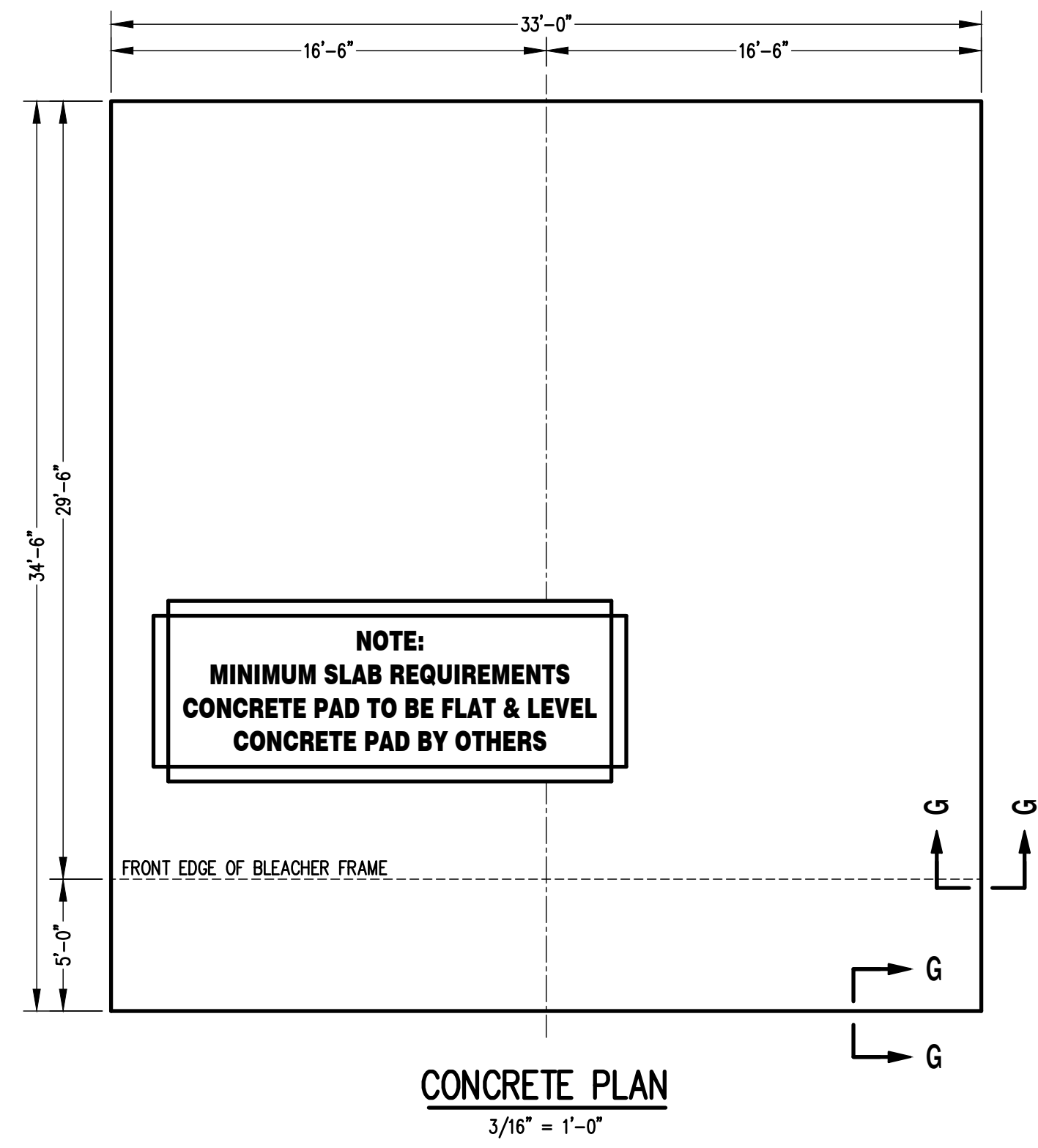


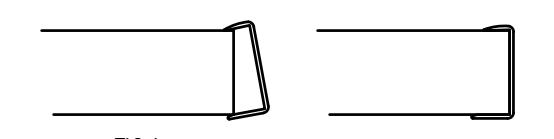
**SEATING PLAN**  
 3/16" = 1'-0"  
 244 NET SEATS @ 18" PER SEAT  
 5 HDCP @ 36" PER SPACE  
 5 COMPANIONS @ 18"  
 254 TOTAL



**FRAMING PLAN**  
 3/16" = 1'-0"

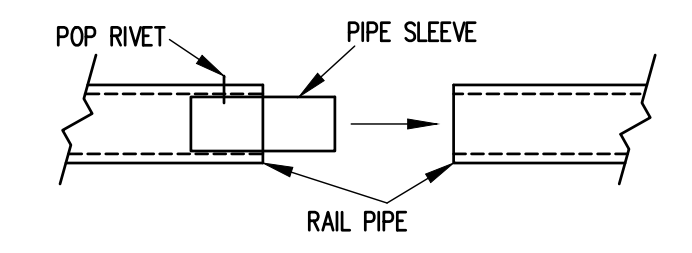
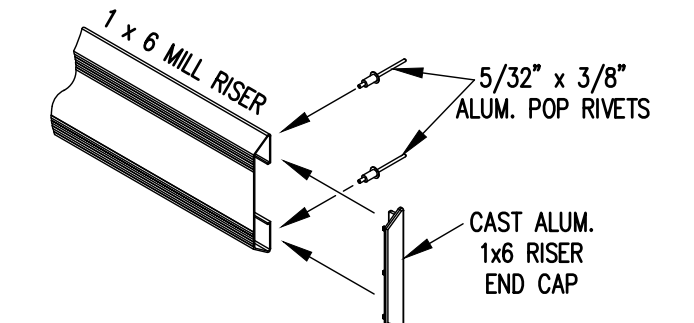
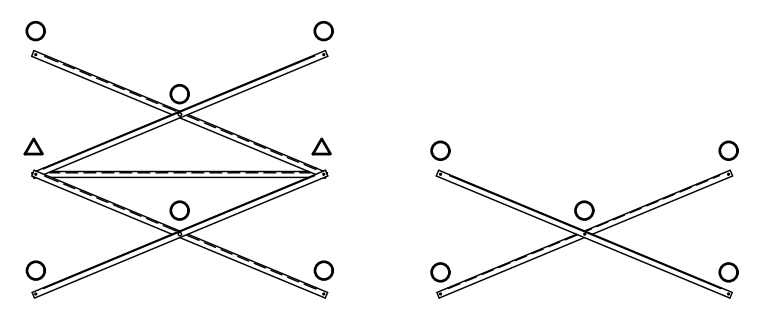


- 1) INSERT SLEEVES APPROXIMATELY HALFWAY INTO THE PLANK WITH THE ENDS STAGGERED ABOUT 1/2". FASTEN SLEEVE WITH (1) ALUMINUM POP RIVET.
  - 2) SLIDE THE END OF THE ADJOINING PLANK OVER THE SLEEVES UNTIL THE TWO PLANKS ARE SNUG.
- NOTE: SLEEVES SHOULD BE ATTACHED ON ONLY ONE END TO ALLOW FOR EXPANSION.



- 1) LOCATE THE CHANNEL END CAP AS SHOWN IN FIG. 1.
- 2) TAP END CAP INTO PLACE WITH RUBBER Mallet OR SOFT WOOD. FIG. 2
- 3) DRILL 5/32" HOLES THROUGH THE BOTTOM FLANGE AND THE BOTTOM OUTSIDE PLANK FLANGES OF EACH PLANK. INSTALL 5/32" POP RIVETS.

**END CAP DETAIL**  
 N.T.S.

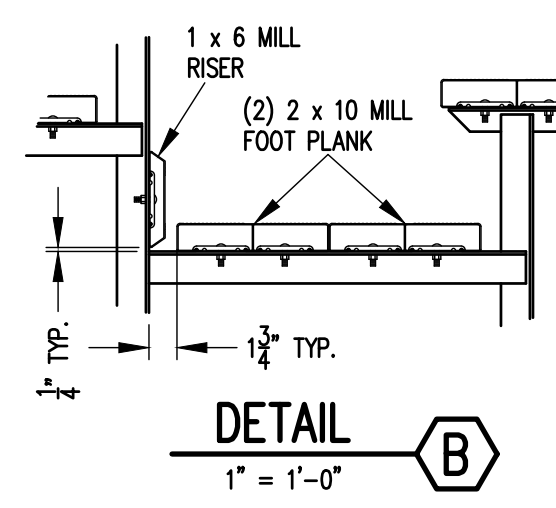
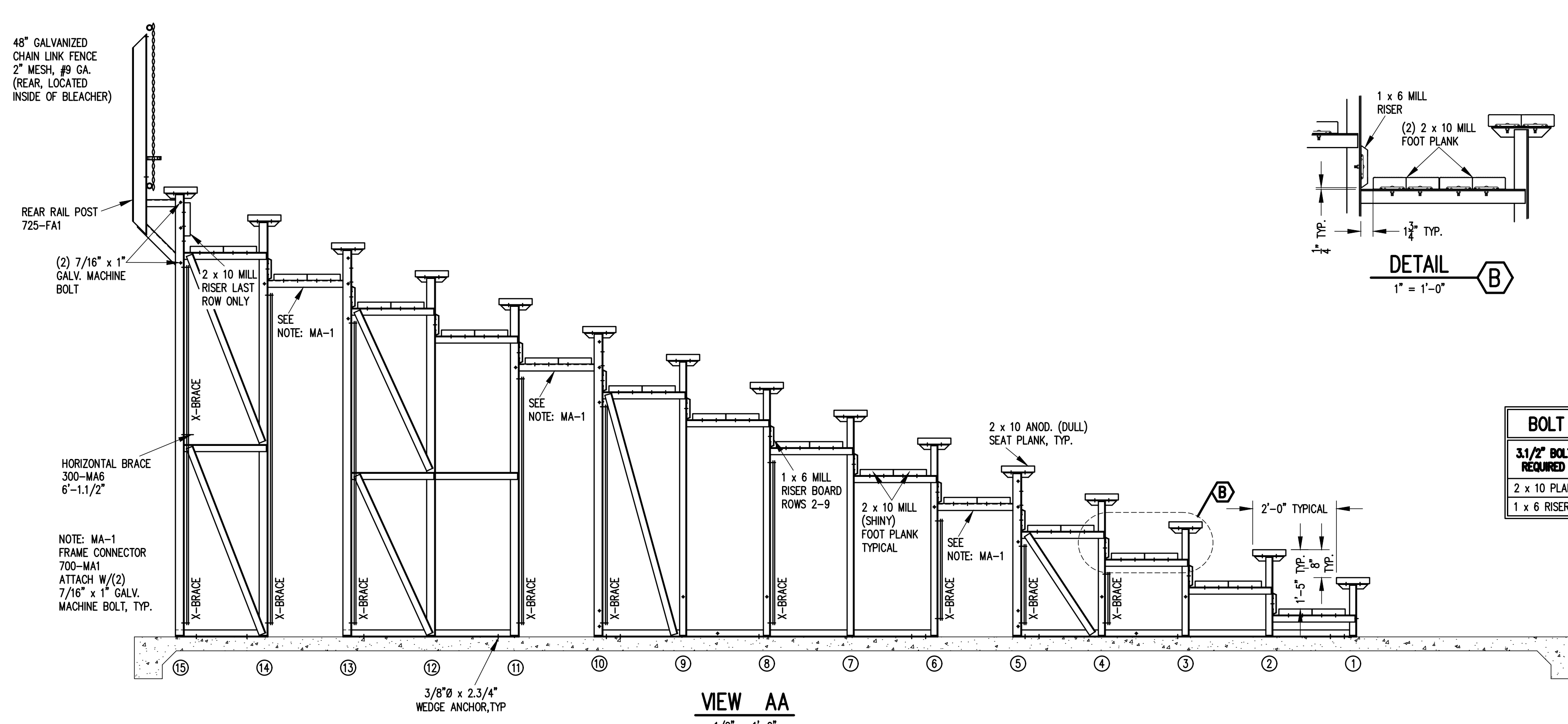


- 1) INSERT PIPE SLEEVE APPROXIMATELY HALFWAY INTO THE RAIL PIPE. FASTEN PIPE SLEEVE WITH (1) ALUMINUM POP RIVET (5/32" x 5/8")
  - 2) SLIDE THE END OF THE ADJOINING RAILPIPE OVER THE PIPE SLEEVE UNTIL THE TWO RAILS ARE FLUSH.
- NOTE: PIPE SLEEVES SHOULD BE ATTACHED ON ONLY ONE END TO ALLOW FOR EXPANSION.

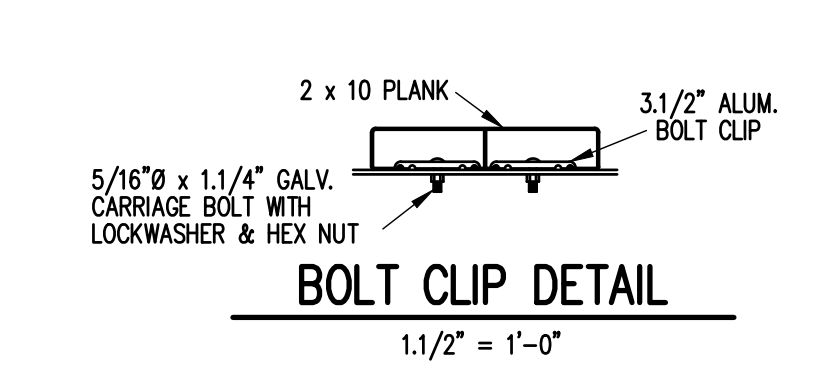
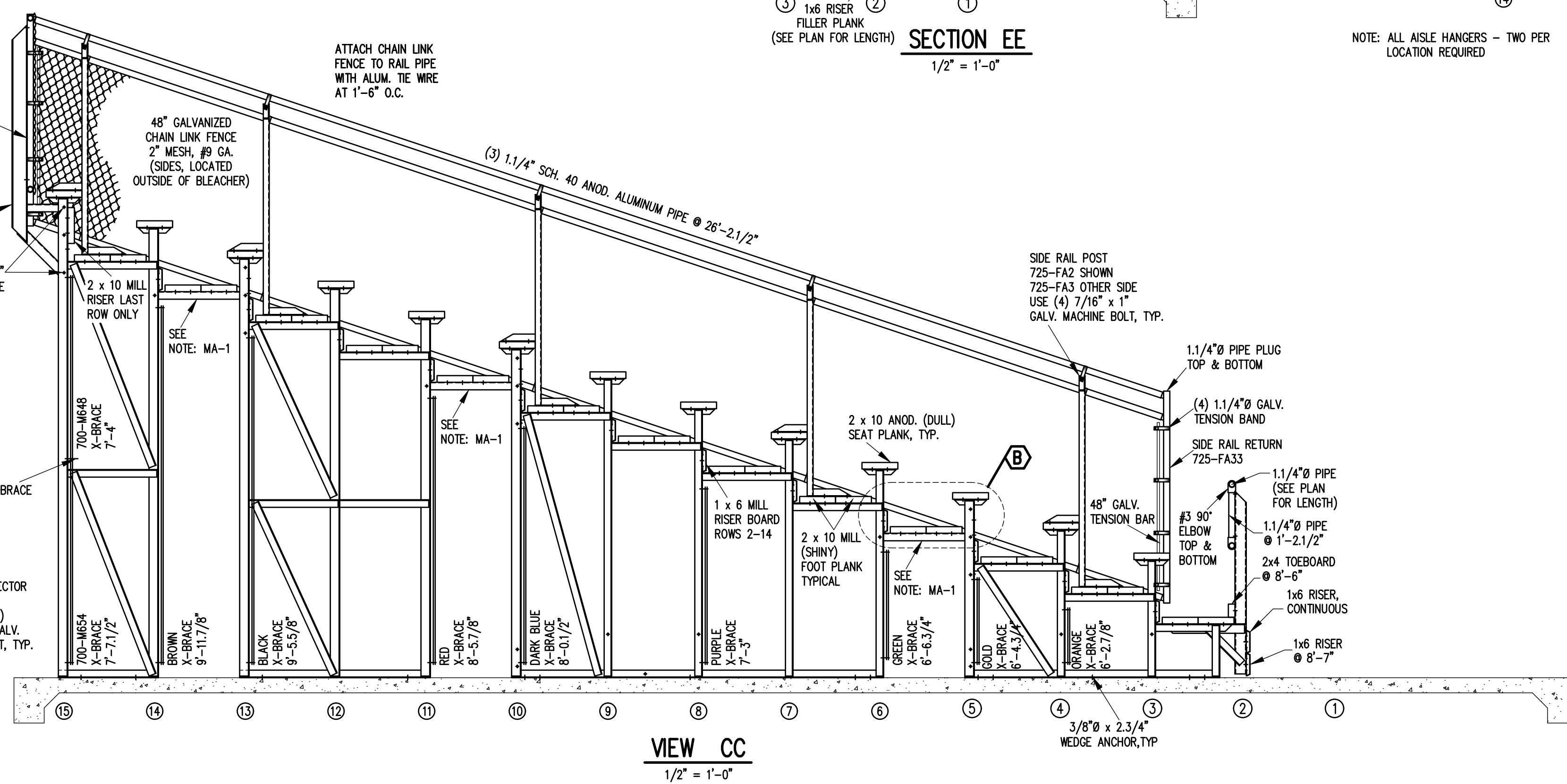
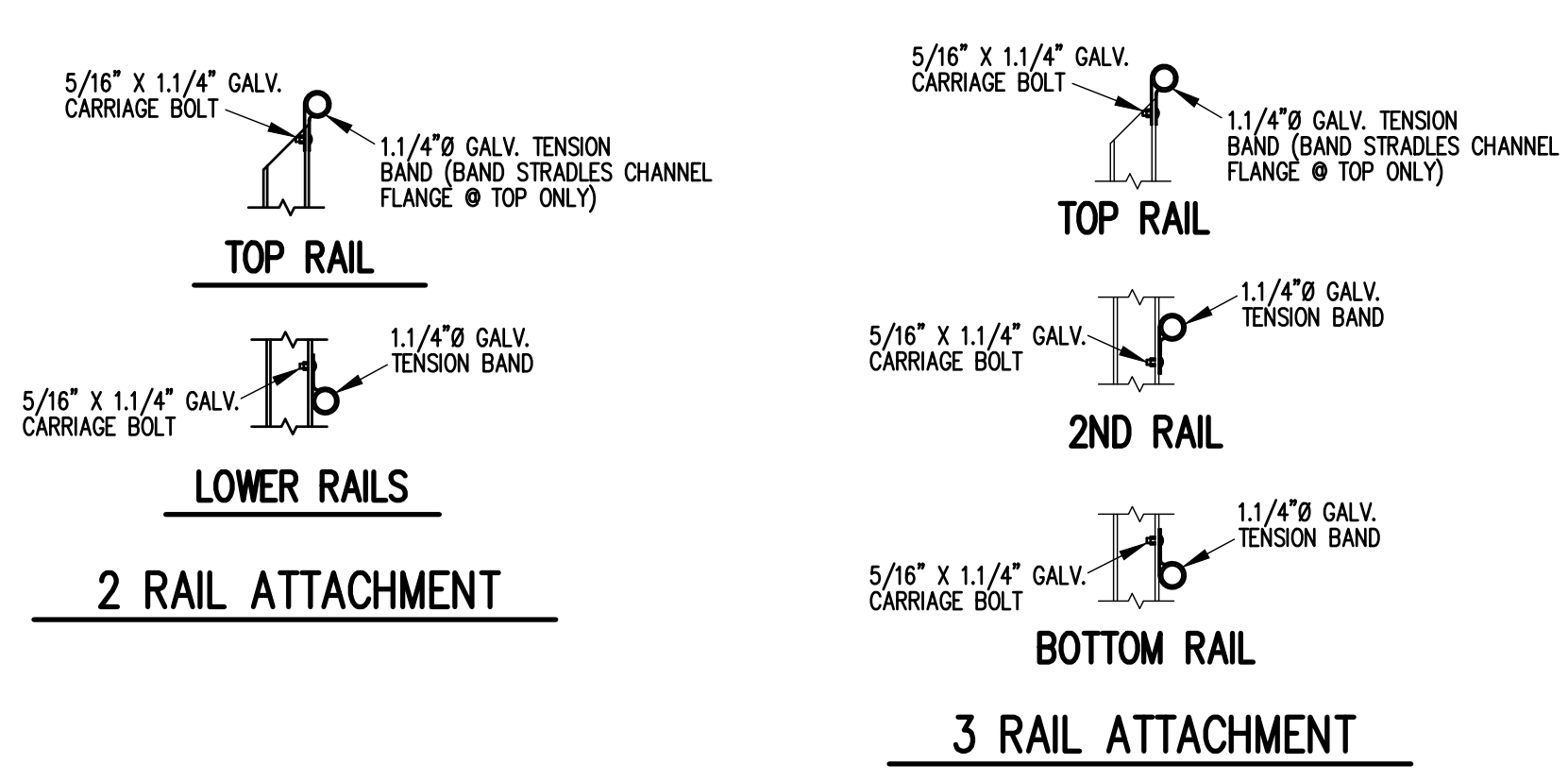
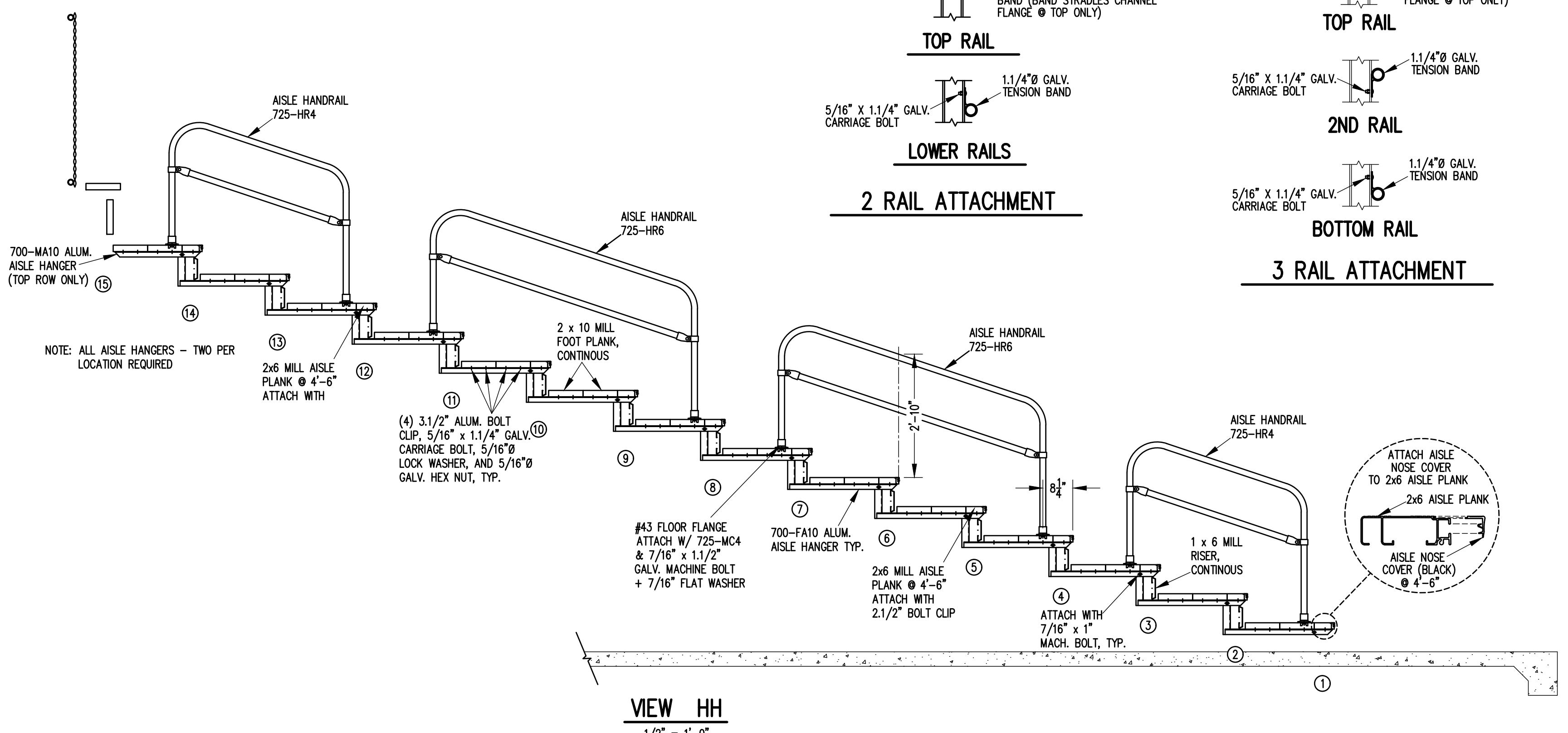
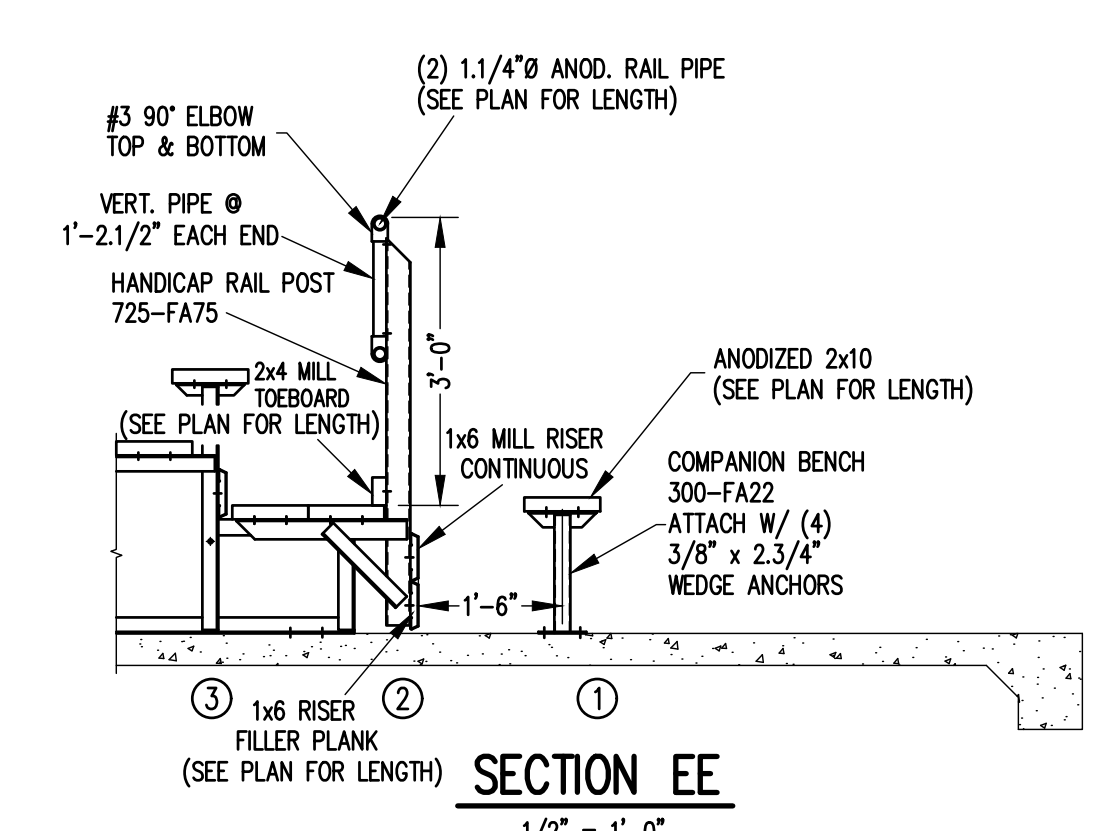
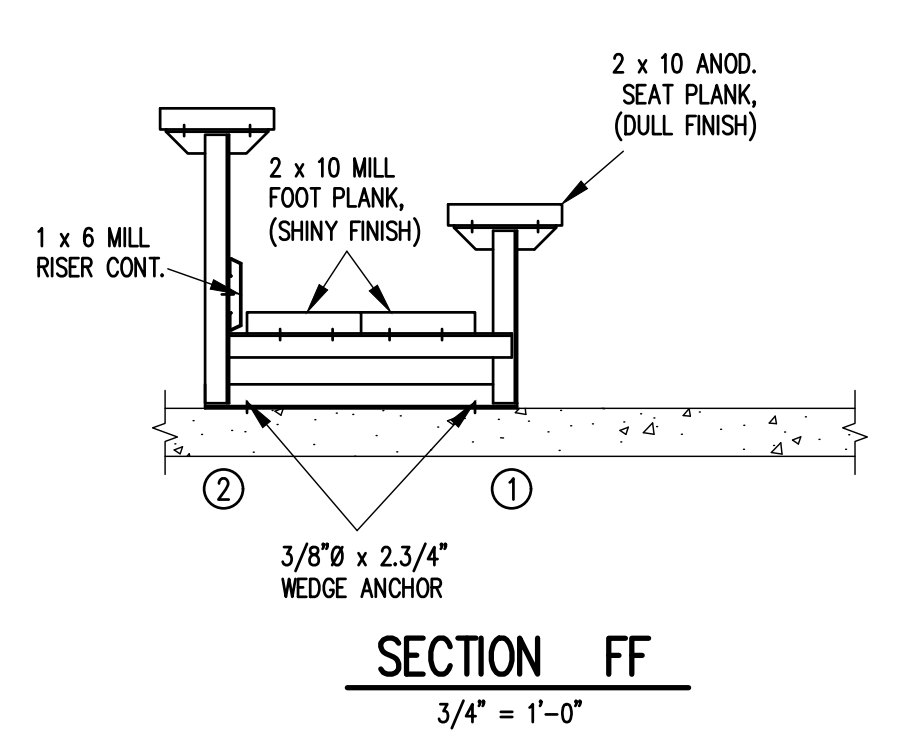
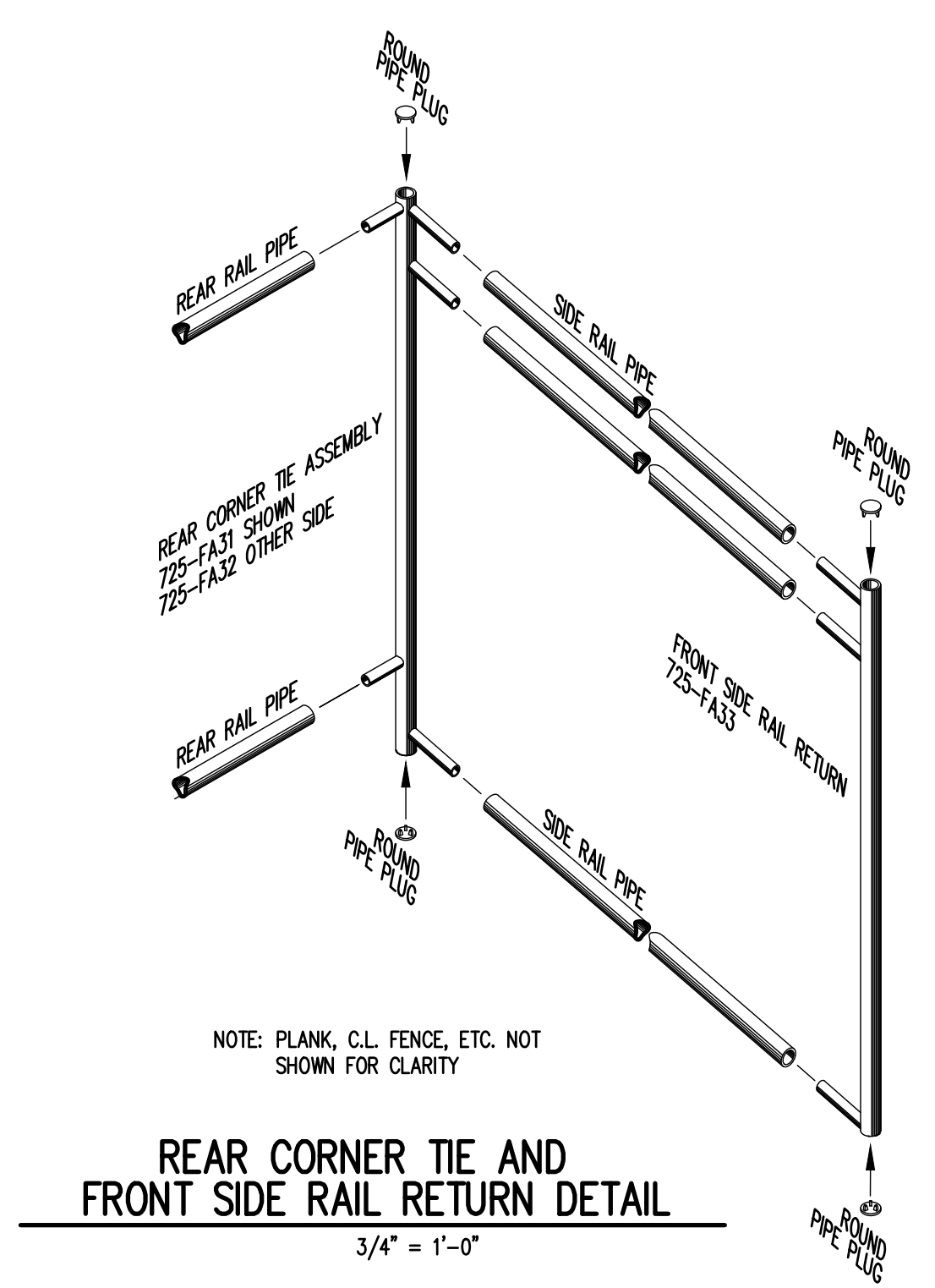
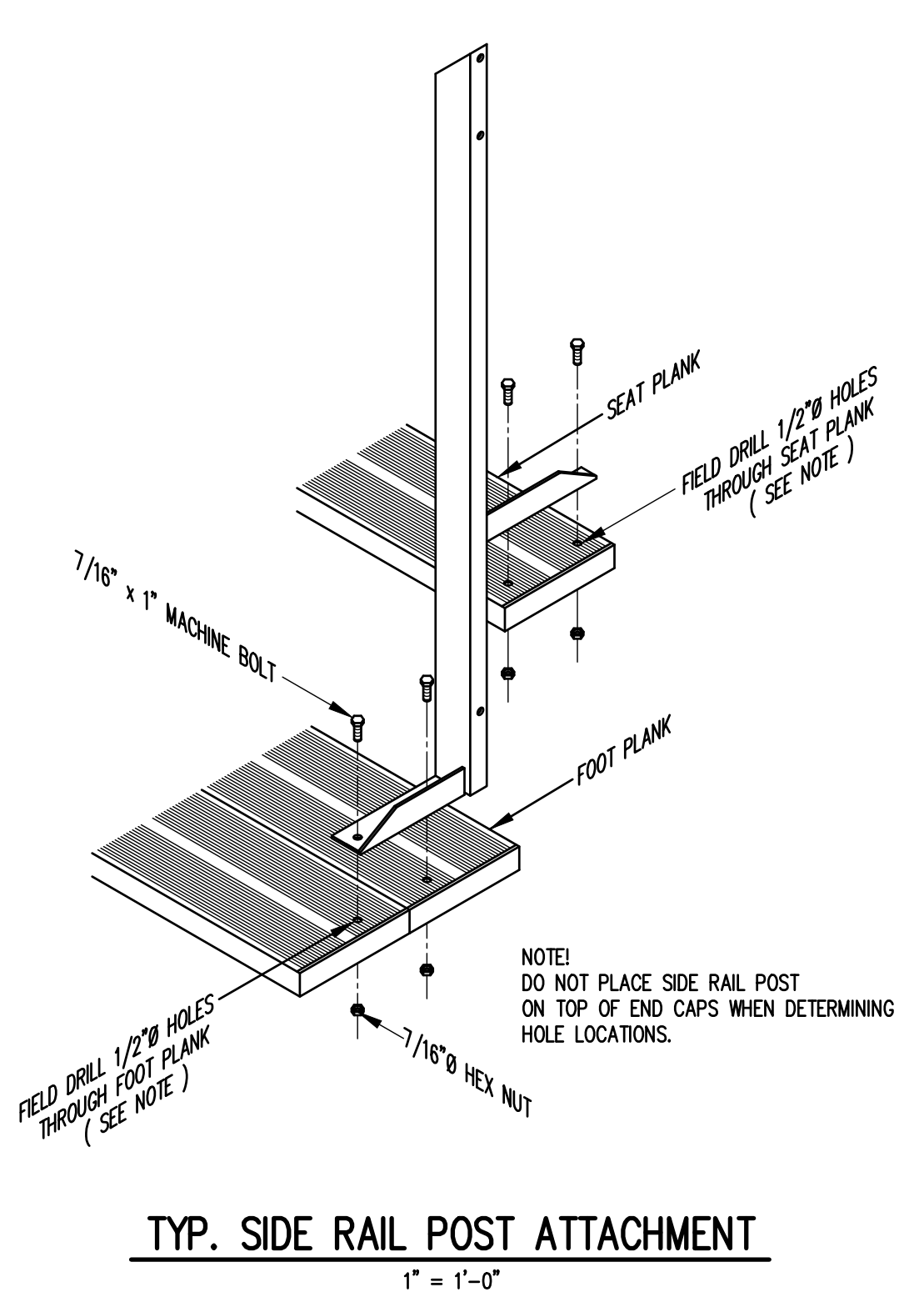
THIS MATERIAL IS OWNED BY AND IS THE SOLE AND EXCLUSIVE PROPERTY OF THE OUTDOOR ALUMINUM COMPANY, INC., AND IS SUPPLIED TO THE OWNER ON A CONFIDENTIAL BASIS, SOLELY FOR USE IN CONNECTION WITH THE PROJECT LISTED AT RIGHT. FEDERAL LAW PROHIBITS THE REPRODUCTION, DISPLAY, SALE OR OTHER DISPOSITION OF THESE DOCUMENTS WITHOUT THE EXPRESS WRITTEN CONSENT OF THE OUTDOOR ALUMINUM COMPANY.

Richard Barrios  
 Consulting Engineer, Inc.  
 10212 Worthington Lane  
 Prospect, Kentucky  
 (502) 412-2189

		P.O. BOX 118 GENEVA, ALABAMA 36540 334-694-2266	
SCALE	AS NOTED	REVISED	BY
DATE	3/29/19		
DRN	GR	DD	
APPD			
FILE			
DLW-HC 15x33 PLANS			784-E2313



BOLT CLIP SCHEDULE	
3/2\" BOLT CLIP REQUIRED FOR	2 1/2\" BOLT CLIP REQUIRED FOR
2 x 10 PLANK	2 x 4 PLANK
1 x 6 RISER	2 x 6 AISLE



**Outdoor Aluminum**

SCALE: AS NOTED  
 DATE: 3/29/19  
 DRAWN: [ ]  
 CHECKED: [ ]  
 FILE: [ ]

**Richard Barrios**  
 Consulting Engineer, Inc.  
 10212 Worthington Lane  
 Prospect, Kentucky  
 (502) 412-2199

DWL-HC 15x33 SECTIONS AND DETAILS

**784-E2314**

THIS MATERIAL IS OWNED BY AND IS THE SOLE AND EXCLUSIVE PROPERTY OF THE OUTDOOR ALUMINUM COMPANY, INC. AND IS SUPPLIED TO THE OWNER ON A CONFIDENTIAL BASIS, SOLELY FOR USE IN CONNECTION WITH THE PROJECT LISTED AT RIGHT. FEDERAL LAW PROHIBITS THE REPRODUCTION, DISPLAY, SALE OR OTHER DISPOSITION OF THESE DOCUMENTS WITHOUT THE EXPRESS WRITTEN CONSENT OF THE OUTDOOR ALUMINUM COMPANY.