
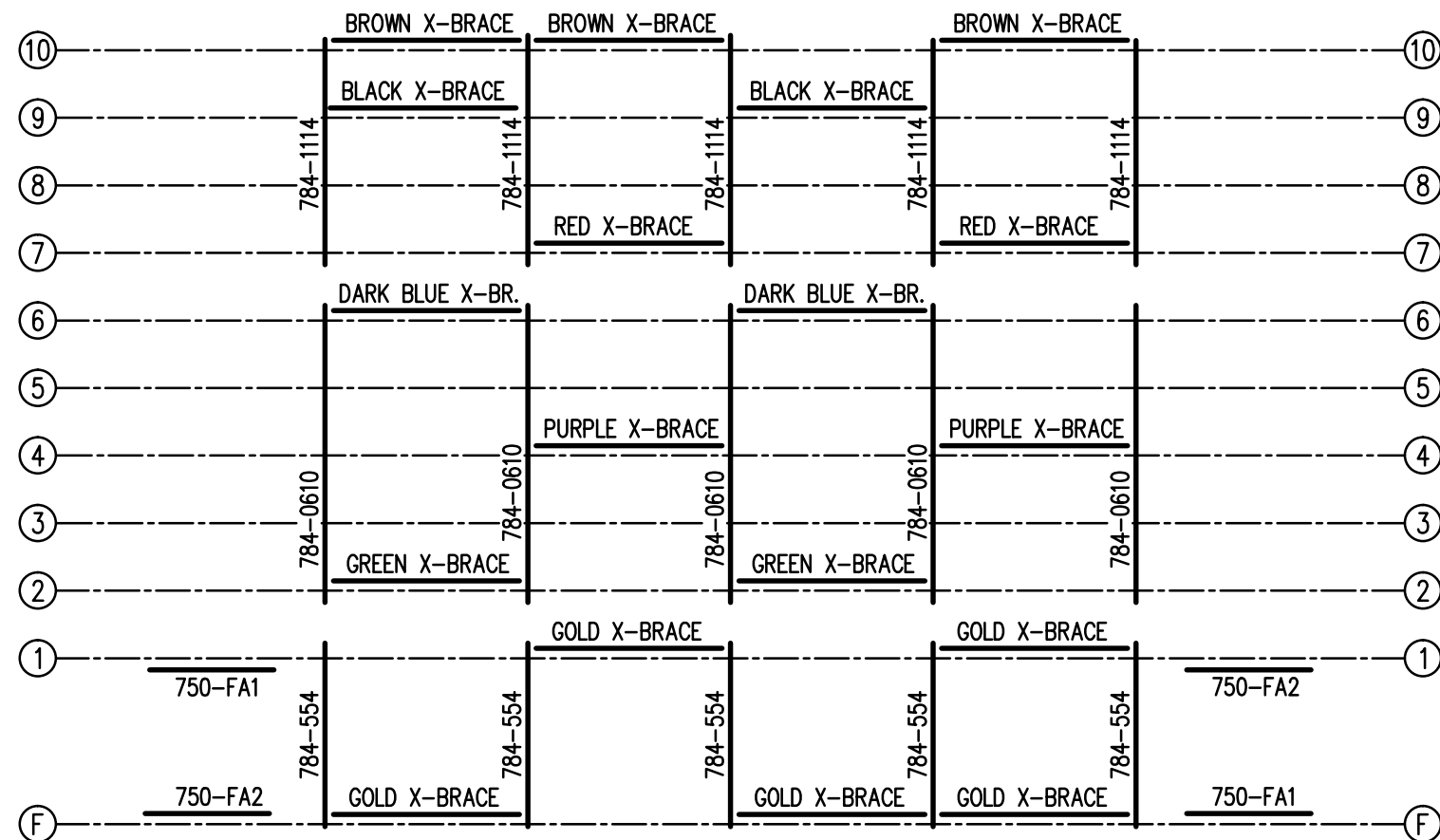


SEATING PLAN

3/16" = 1'-0"

144 NET SEATS @ 18" PER SEAT

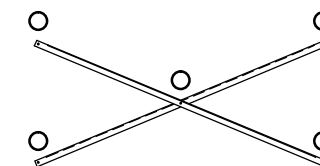
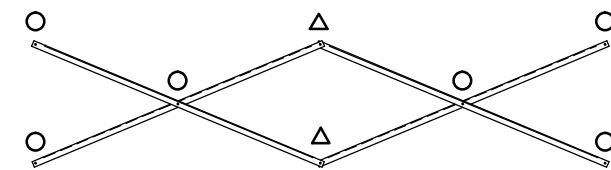
		Outdoor Aluminum P.O. BOX 118 GENEVA, ALABAMA 36340 334-684-2296	
DATE 11/2/11			
DR'N CDK	CKD		
AP'VD			
TITLE			NO.
DLWE 10-27 SEATING PLAN			784-E2211



1'-6" 6'-0" 6'-0" 6'-0" 6'-0" 1'-6" ... FRAME SPACING

FRAMING PLAN


3/16" = 1'-0"

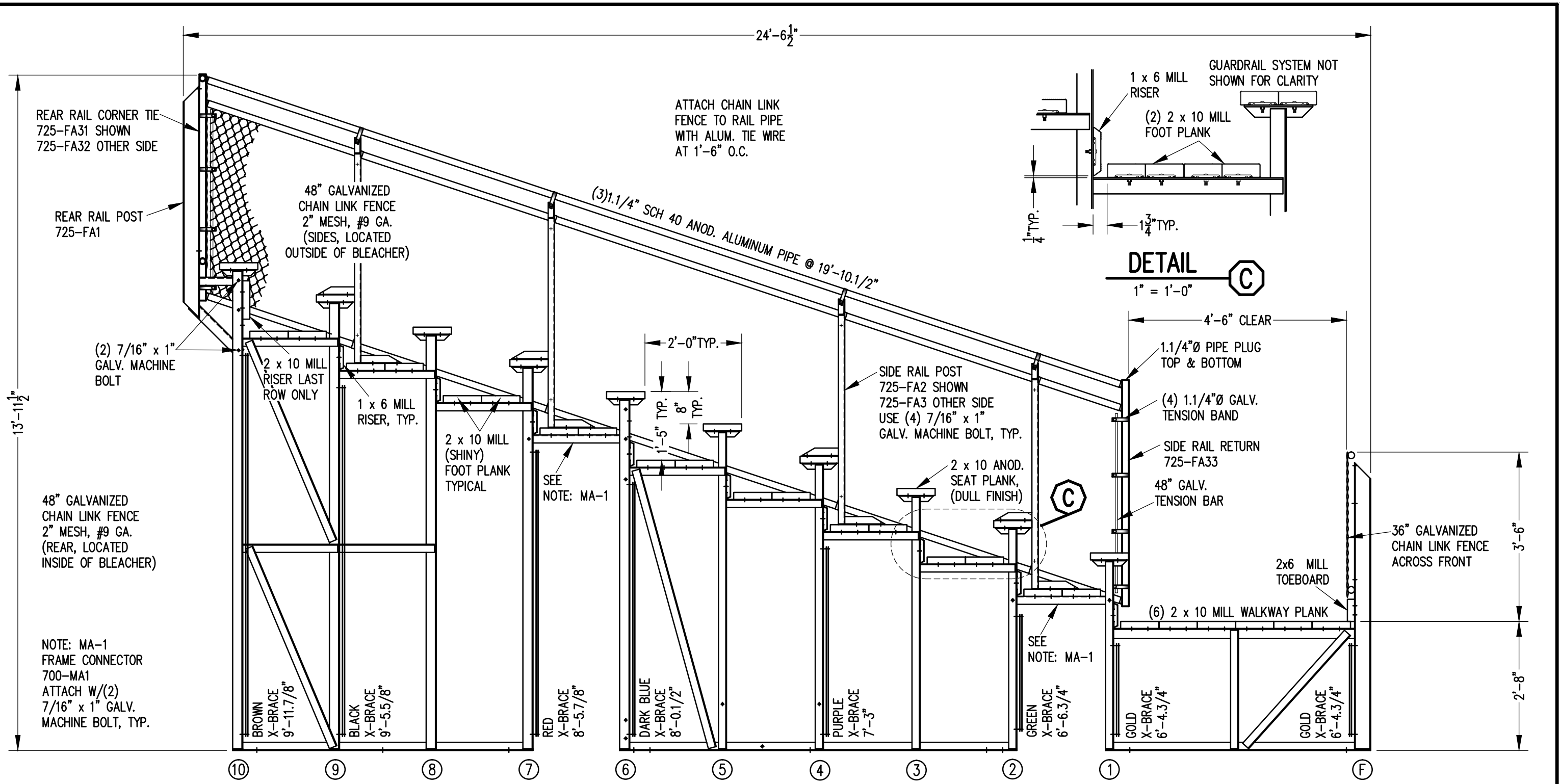


X-BRACE DETAIL

N.T.S.

- 7/16" X 1" GALV. MACH. BOLT
- △ 7/16" X 1.1/2" GALV. MACH. BOLT

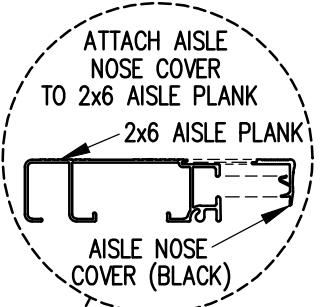
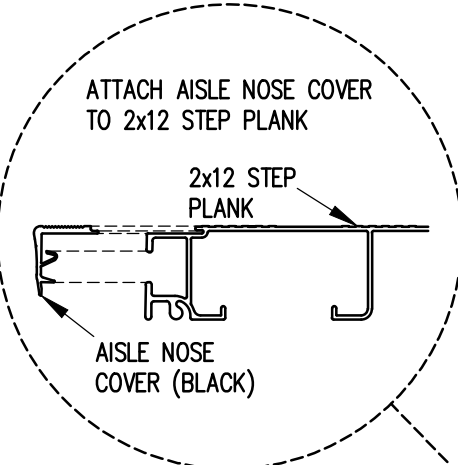
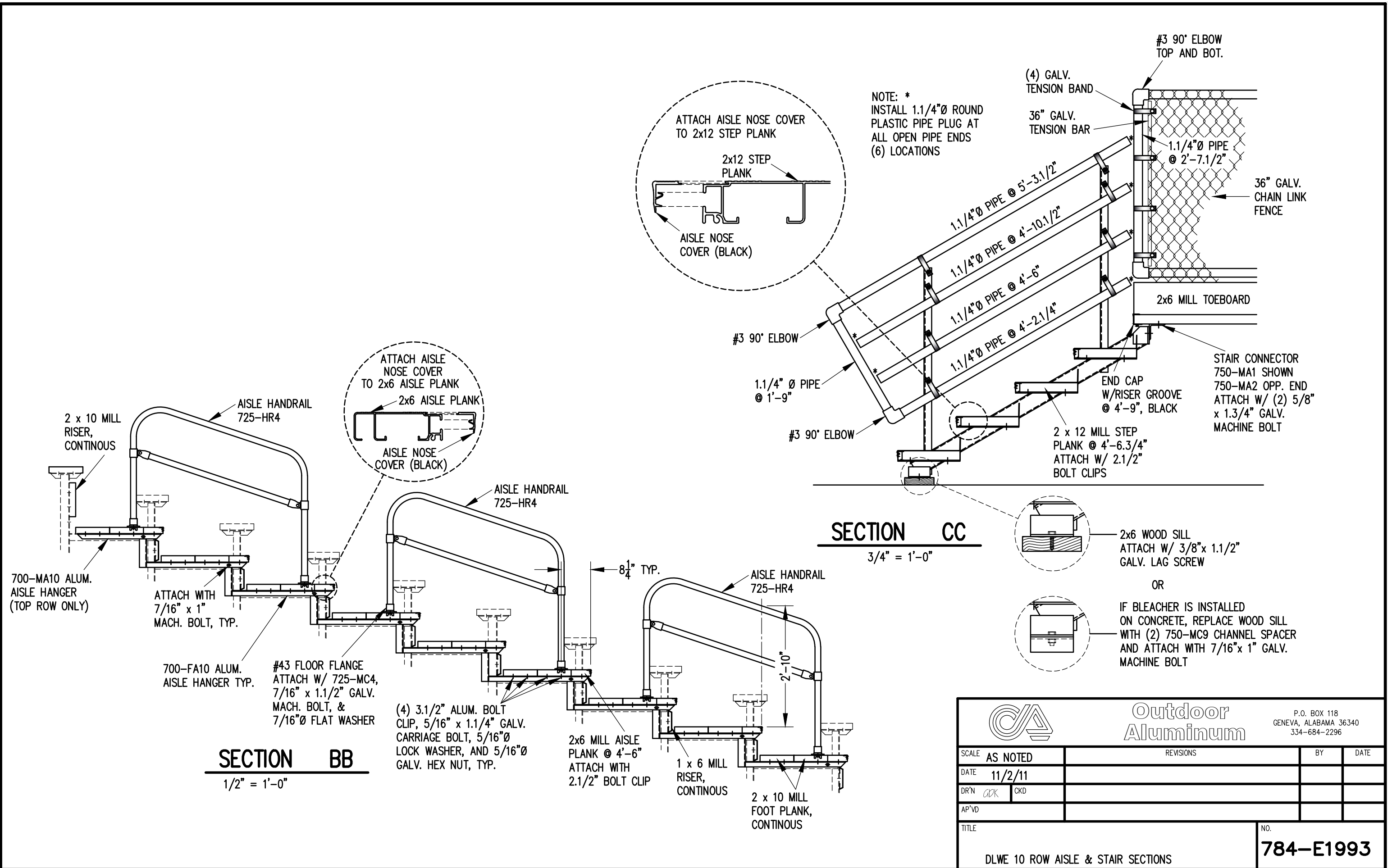
		Outdoor Aluminum P.O. BOX 118 GENEVA, ALABAMA 36340 334-684-2296		
				SCALE
DATE	11/2/11			
DR'N	CDK	CKD		
AP'VD				
TITLE			NO.	
DLWE 10-27 FRAMING PLAN			784-E2261	



SECTION AA

1/2" = 1'-0"

		Outdoor Aluminum		P.O. BOX 118 GENEVA, ALABAMA 36340 334-684-2296	
		SCALE	1/2" = 1'-0"	REVISIONS	BY
DATE	11/2/11				
DR'N	CDK	CKD			
AP'VD					
TITLE	DLWE 10 ROW SECTION				NO.
					784-E2221



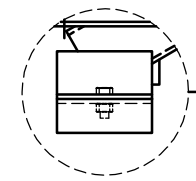
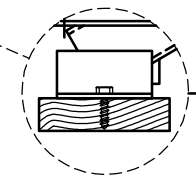
NOTE: *
INSTALL 1.1/4"Ø ROUND
PLASTIC PIPE PLUG AT
ALL OPEN PIPE ENDS
(6) LOCATIONS

SECTION CC

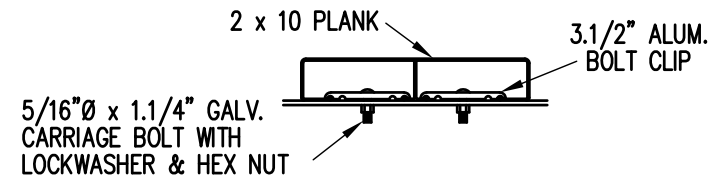
3/4" = 1'-0"

SECTION BB

1/2" = 1'-0"



		P.O. BOX 118 GENEVA, ALABAMA 36340 334-684-2296				
		SCALE	AS NOTED	REVISIONS	BY	DATE
DATE	11/2/11					
DR'N	CDK	CKD				
AP'VD						
TITLE	DLWE 10 ROW AISLE & STAIR SECTIONS			NO.	784-E1993	



BOLT CLIP DETAIL

1.1/2" = 1'-0"



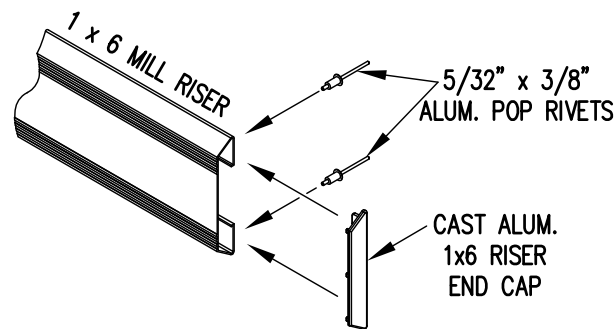
FIG.1

FIG.2

- 1) LOCATE THE CHANNEL END CAP AS SHOWN IN FIG. 1.
- 2) TAP END CAP INTO PLACE WITH RUBBER Mallet OR SOFT WOOD. FIG.2
- 3) DRILL 5/32" HOLES THROUGH THE BOTTOM FLANGE AND THE BOTTOM OUTSIDE PLANK FLANGES OF EACH PLANK. INSTALL 5/32" POP RIVETS.

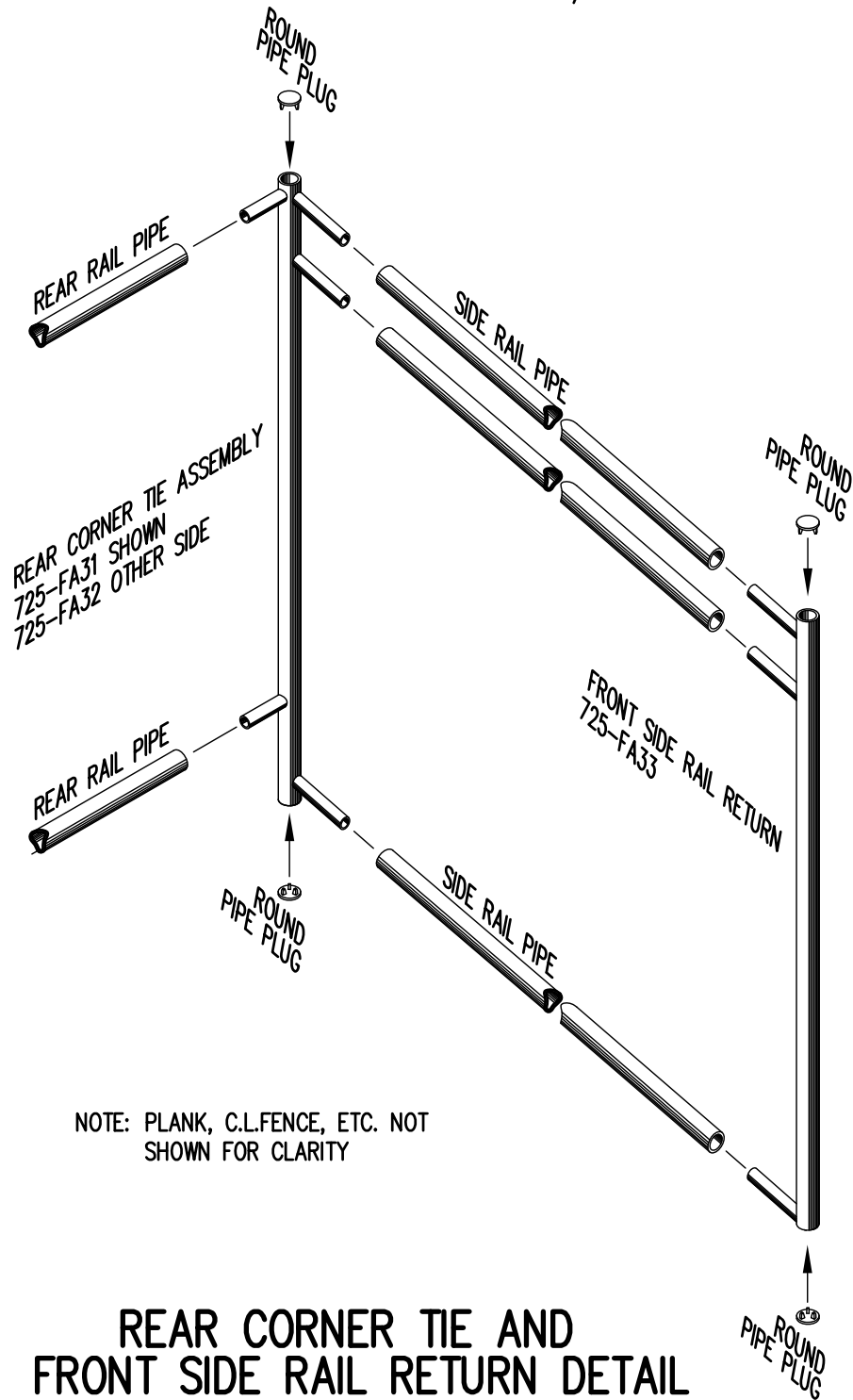
END CAP DETAIL

N.T.S.



1 x 6 RISER END CAP

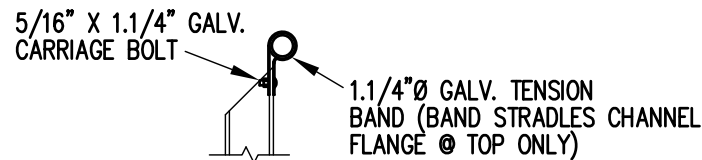
N.T.S.



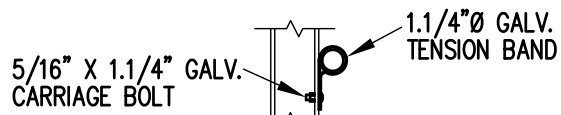
REAR CORNER TIE AND FRONT SIDE RAIL RETURN DETAIL

3/4" = 1'-0"

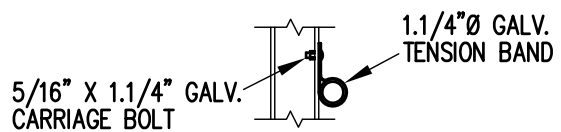
NOTE: PLANK, C.L.FENCE, ETC. NOT SHOWN FOR CLARITY



TOP RAIL

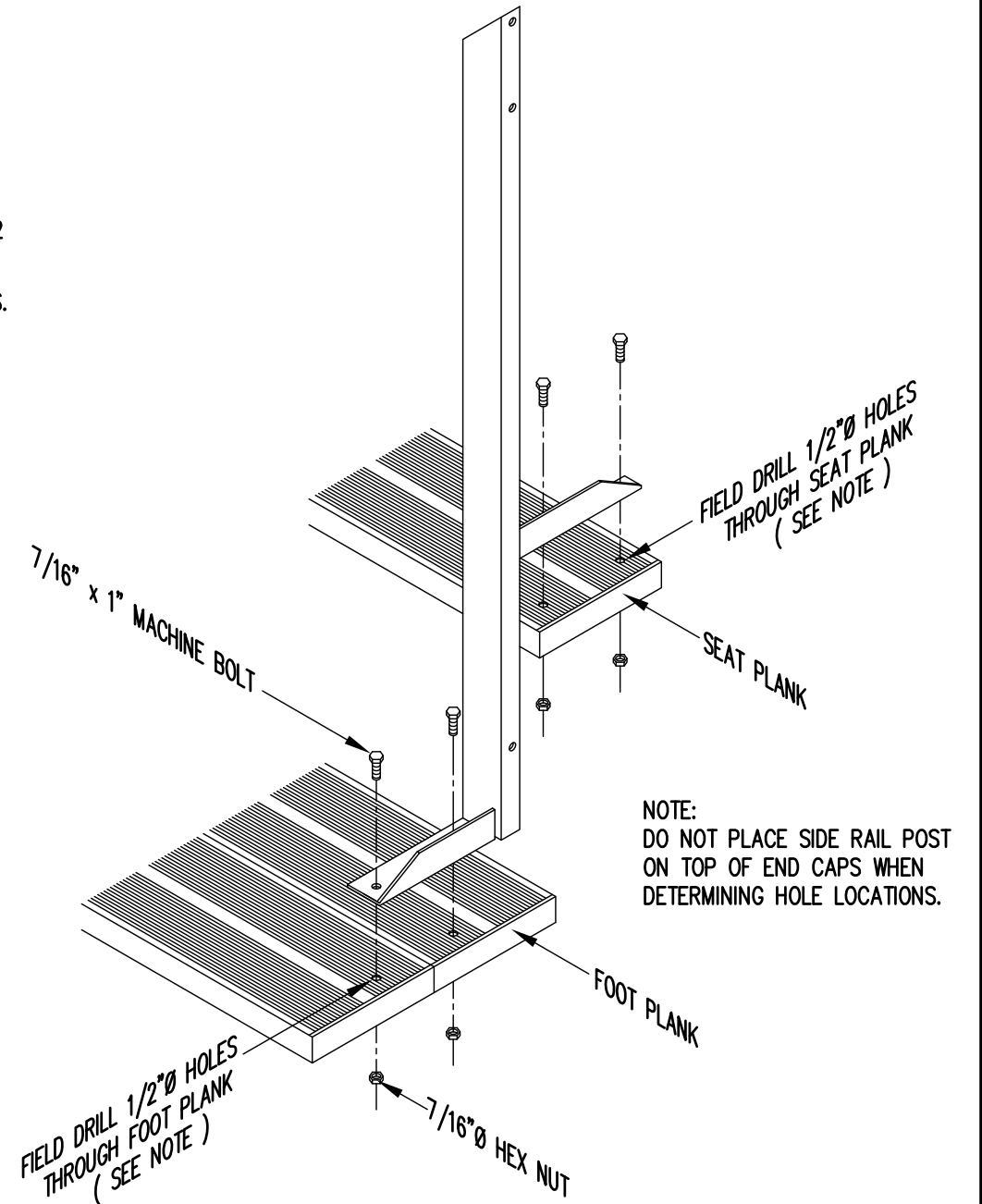


2ND RAIL



BOTTOM RAIL

RAIL PIPE ATTACHMENT



TYP. SIDE RAIL POST ATTACHMENT

1" = 1'-0"

NOTE: DO NOT PLACE SIDE RAIL POST ON TOP OF END CAPS WHEN DETERMINING HOLE LOCATIONS.

		P.O. BOX 118 GENEVA, ALABAMA 36340 334-684-2296			
		SCALE	AS NOTED	REVISIONS	BY
DATE	11/2/11				
DR'N	ADK	CKD			
AP'VD					
TITLE				NO.	
TYPICAL DETAILS				784-E1990	