
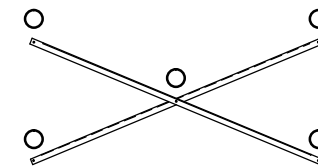


SEATING PLAN

3/16" = 1'-0"

54 NET SEATS @ 18" PER SEAT

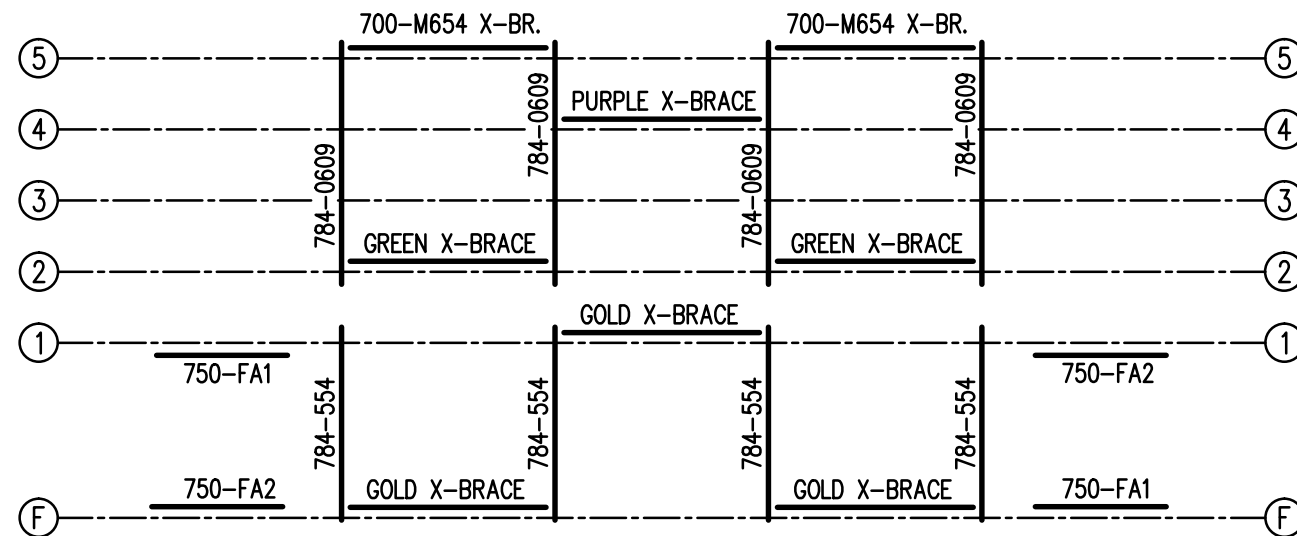
		Outdoor Aluminum		<small>P.O. BOX 118 GENEVA, ALABAMA 36340 334-684-2296</small>	
SCALE	3/16"=1'-0"	REVISIONS	BY	DATE	
DATE	11/2/11				
DR'N	CDK	CKD			
AP'VD					
TITLE					NO.
DLWE 5-21 SEATING PLAN					784-E2166



X-BRACE DETAIL

N.T.S.


- 7/16" X 1" GALV. MACH. BOLT
- △ 7/16" X 1.1/2" GALV. MACH. BOLT

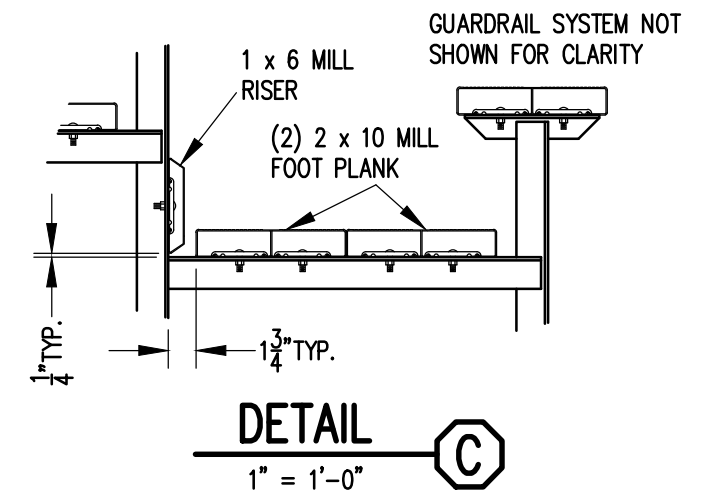
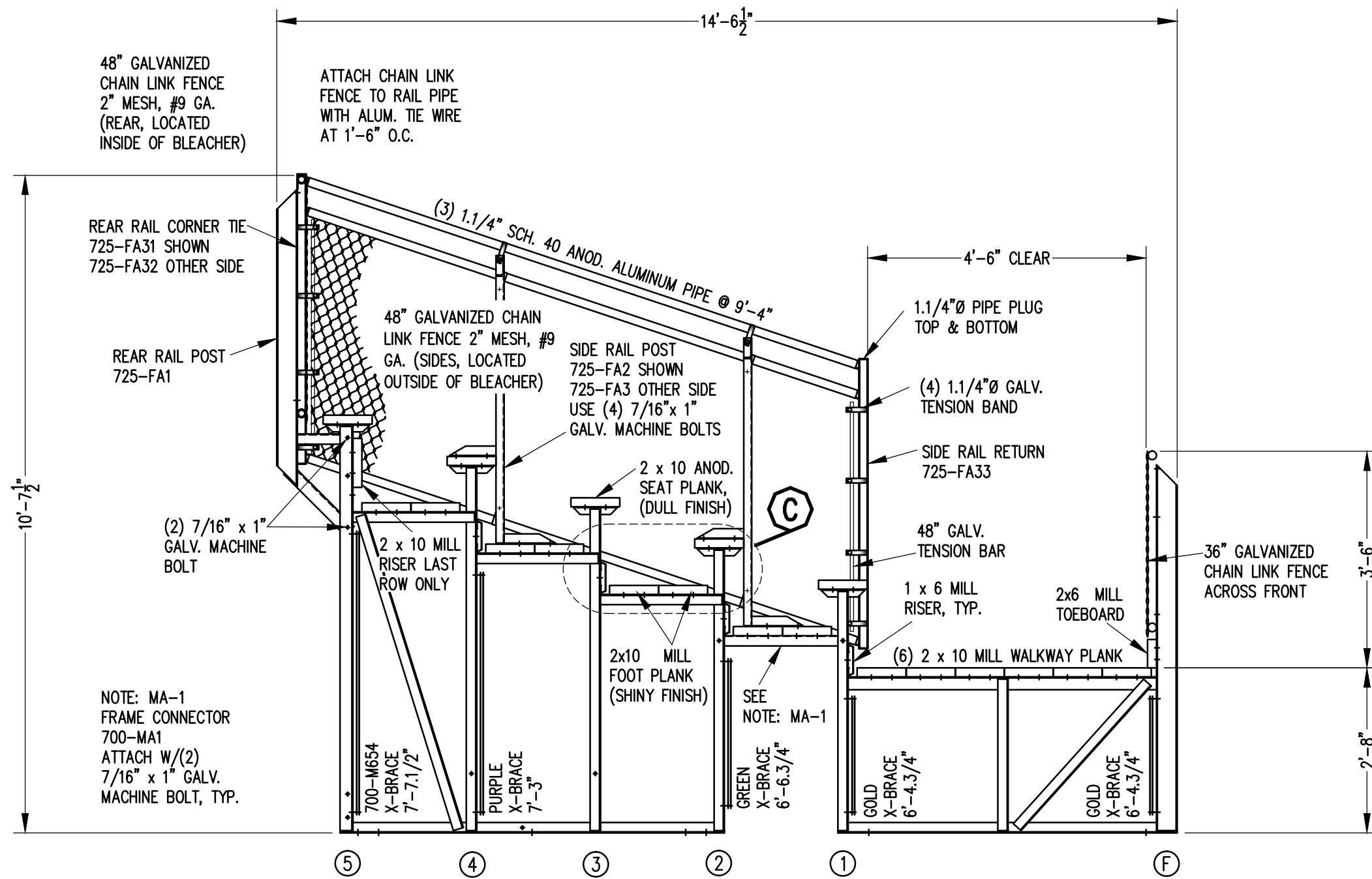


1'-6" 6'-0" 6'-0" 6'-0" 1'-6" ···· FRAME SPACING

FRAMING PLAN


3/16" = 1'-0"

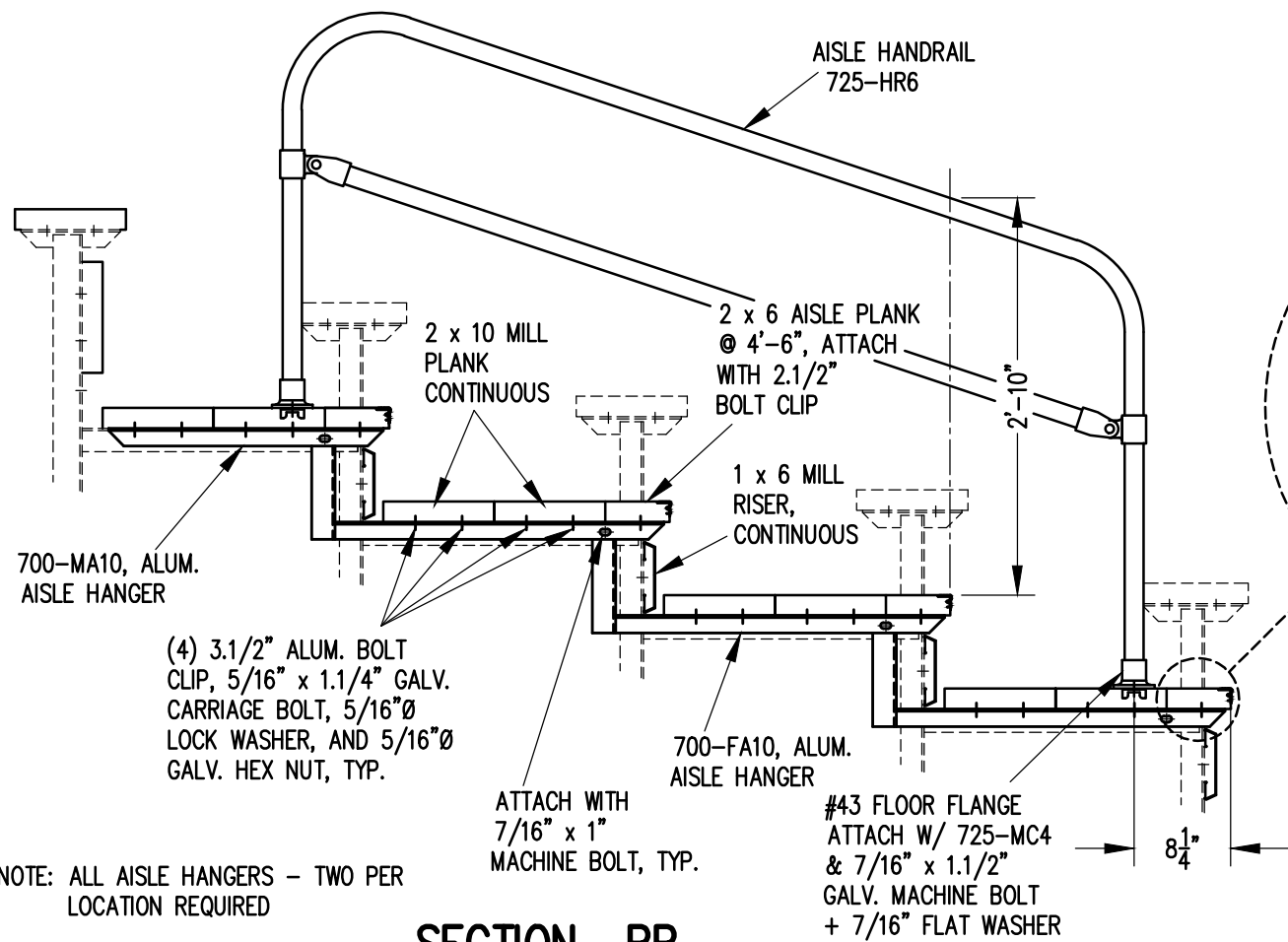
		Outdoor Aluminum		P.O. BOX 118 GENEVA, ALABAMA 36340 334-684-2296	
		SCALE	AS NOTED	REVISIONS	BY
DATE	11/2/11				
DR'N	GPK CKD				
AP'VD					
TITLE					NO.
DLWE 5-21 FRAMING PLAN					784-E2236



SECTION AA

1/2" = 1'-0"

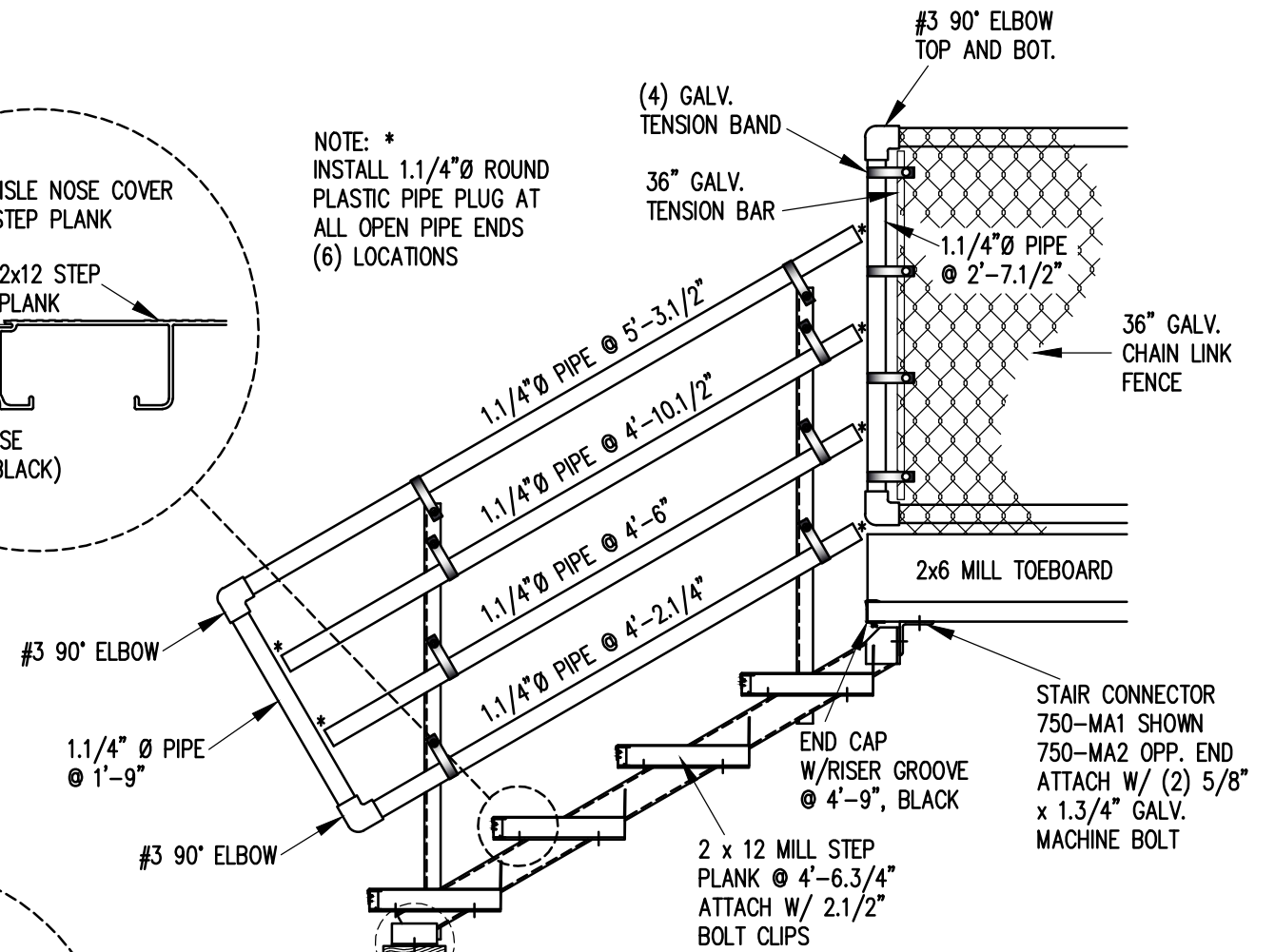
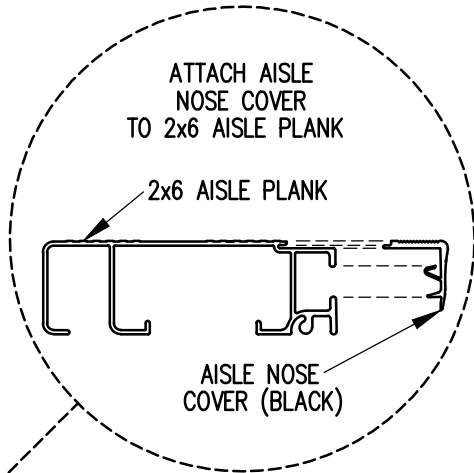
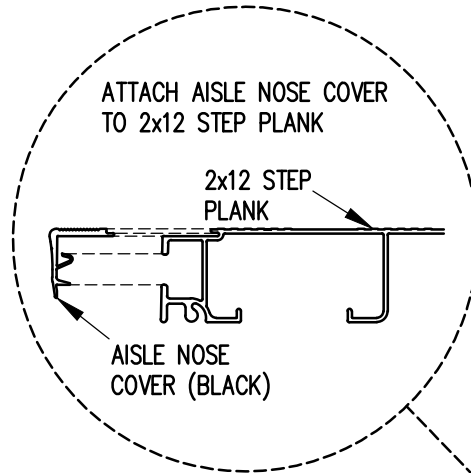
		Outdoor Aluminum P.O. BOX 118 GENEVA, ALABAMA 36340 334-684-2296	
DATE	11/2/11	REVISIONS	
DR'N	CDK	BY	
AP'VD		DATE	
TITLE		NO.	
DLWE 5 ROW SECTION		784-E2181	



SECTION BB

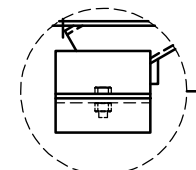
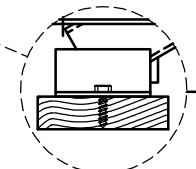
3/4" = 1'-0"

NOTE: ALL AISLE HANGERS - TWO PER LOCATION REQUIRED

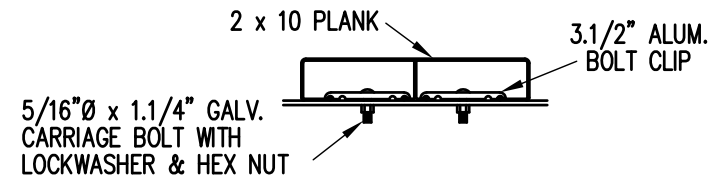


SECTION CC

3/4" = 1'-0"



		Outdoor Aluminum P.O. BOX 118 GENEVA, ALABAMA 36340 334-684-2296	
		SCALE 3/4"=1'-0"	REVISIONS
DATE 11/2/11			
DR'N CDK	CKD		
AP'VD			
TITLE DLWE 5 ROW AISLE & STAIR SECTIONS			NO. 784-E1997



BOLT CLIP DETAIL

1.1/2" = 1'-0"



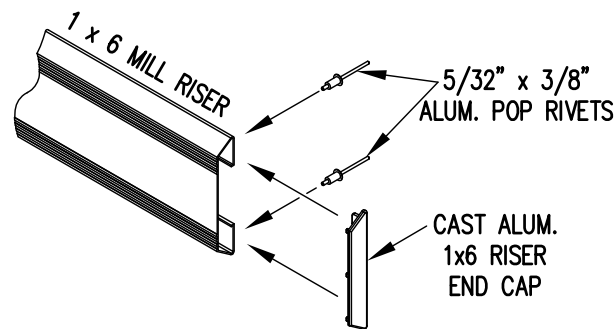
FIG.1

FIG.2

- 1) LOCATE THE CHANNEL END CAP AS SHOWN IN FIG. 1.
- 2) TAP END CAP INTO PLACE WITH RUBBER Mallet OR SOFT WOOD. FIG.2
- 3) DRILL 5/32" HOLES THROUGH THE BOTTOM FLANGE AND THE BOTTOM OUTSIDE PLANK FLANGES OF EACH PLANK. INSTALL 5/32" POP RIVETS.

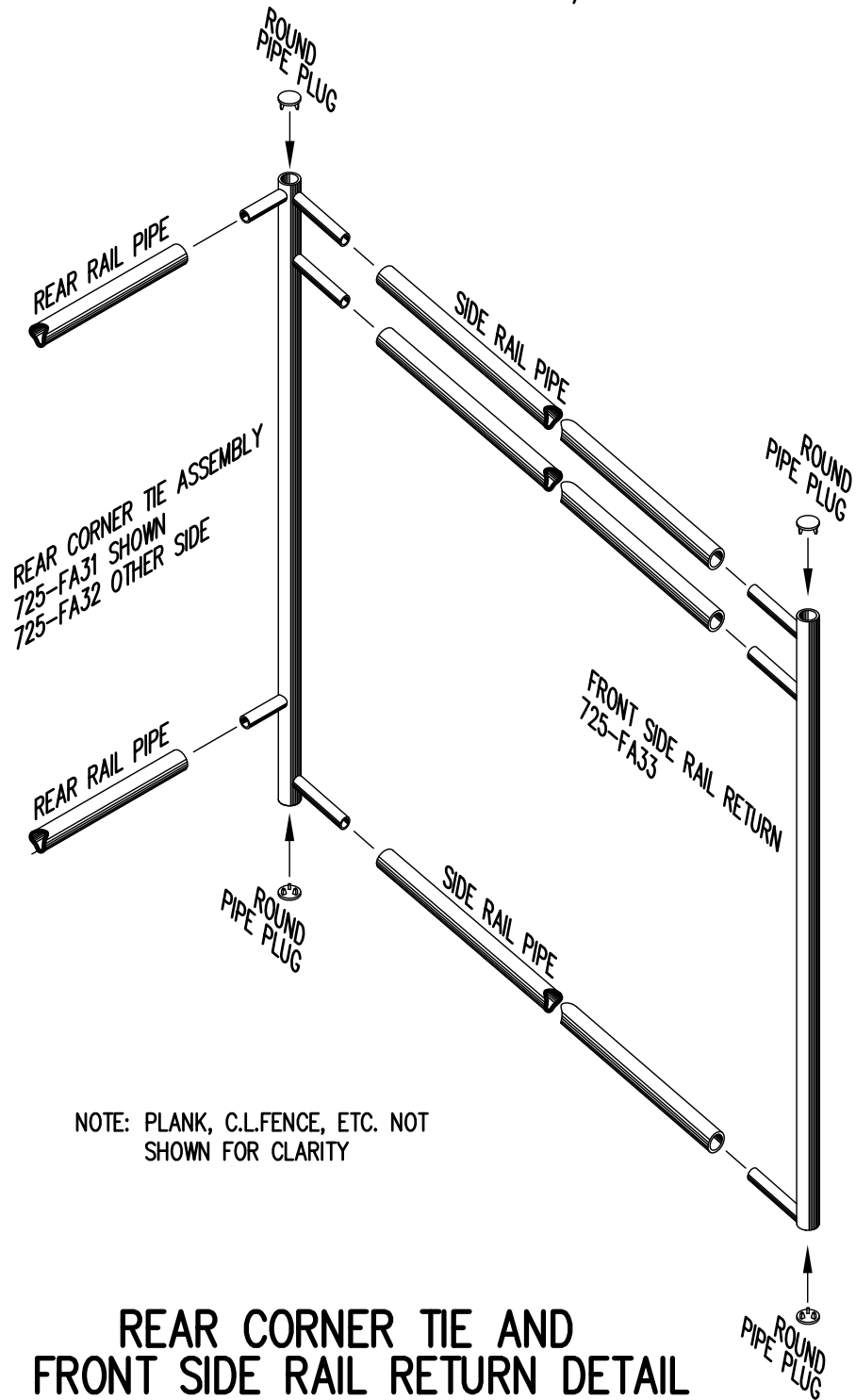
END CAP DETAIL

N.T.S.



1 x 6 RISER END CAP

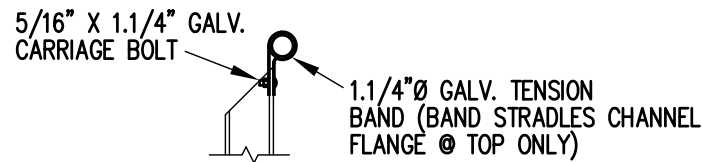
N.T.S.



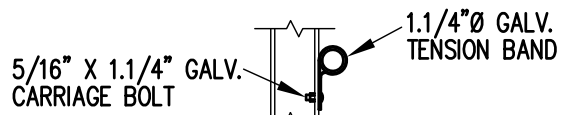
REAR CORNER TIE AND FRONT SIDE RAIL RETURN DETAIL

3/4" = 1'-0"

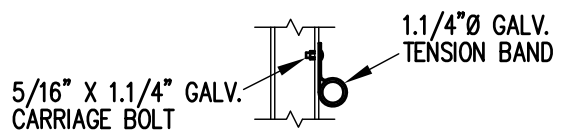
NOTE: PLANK, C.L.FENCE, ETC. NOT SHOWN FOR CLARITY



TOP RAIL

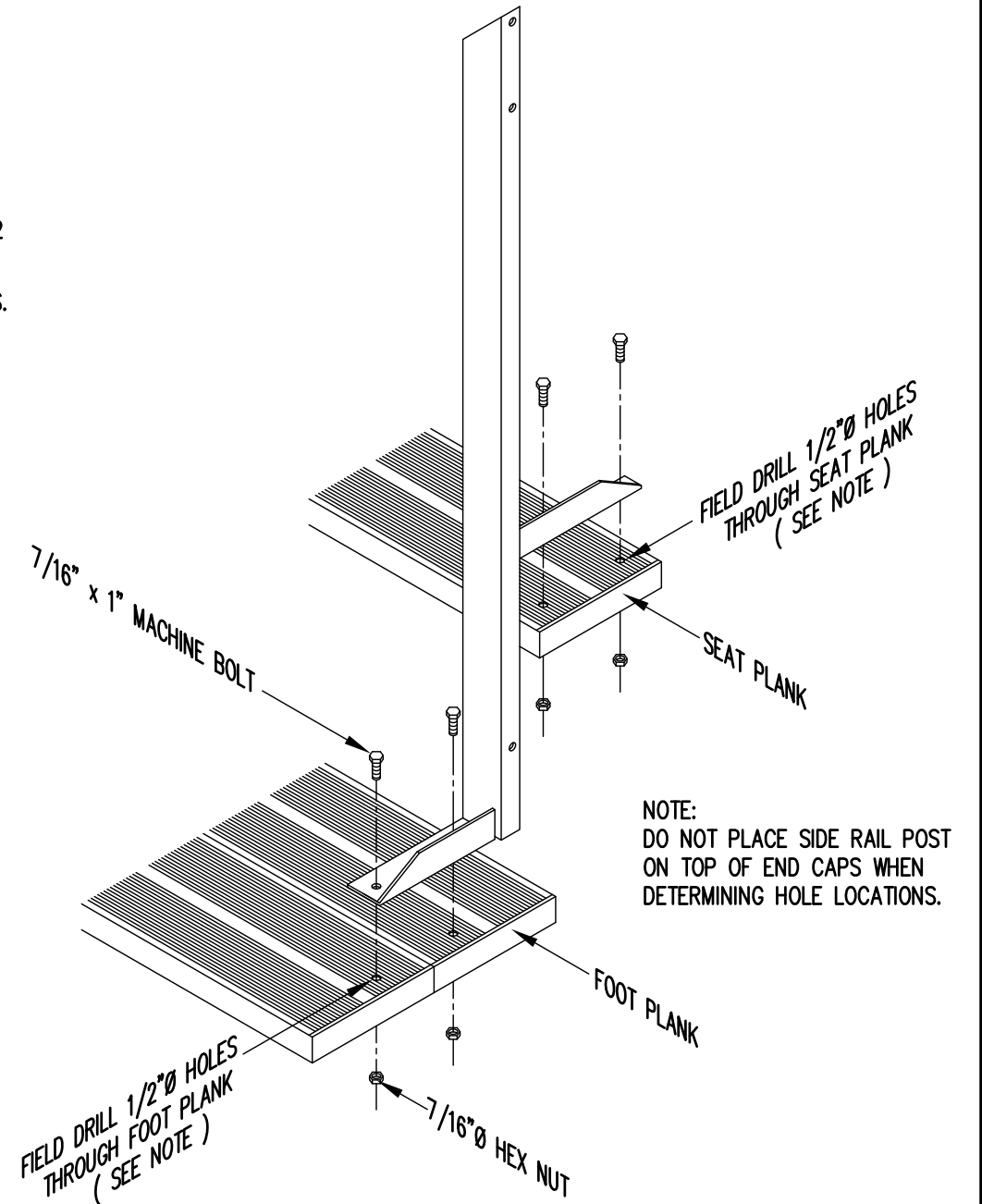


2ND RAIL



BOTTOM RAIL

RAIL PIPE ATTACHMENT



TYP. SIDE RAIL POST ATTACHMENT

1" = 1'-0"

NOTE: DO NOT PLACE SIDE RAIL POST ON TOP OF END CAPS WHEN DETERMINING HOLE LOCATIONS.

		P.O. BOX 118 GENEVA, ALABAMA 36340 334-684-2296				
		SCALE	AS NOTED	REVISIONS	BY	DATE
DATE	11/2/11					
DR'N	ADK	CKD				
AP'VD						
TITLE					NO.	
TYPICAL DETAILS					784-E1990	