

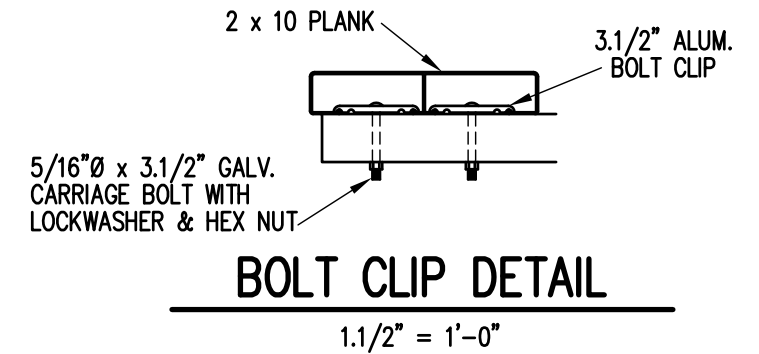
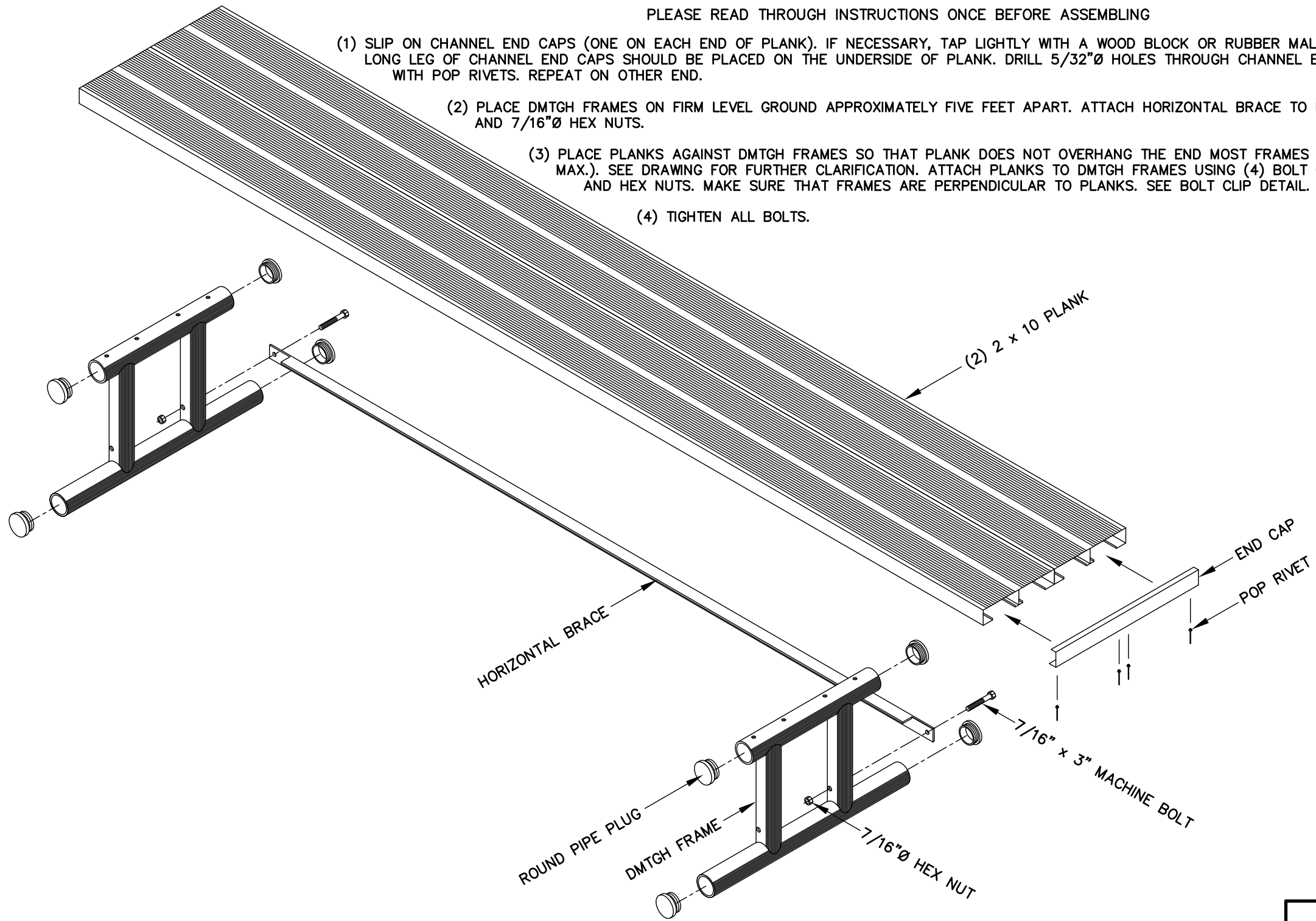
PLEASE READ THROUGH INSTRUCTIONS ONCE BEFORE ASSEMBLING


(1) SLIP ON CHANNEL END CAPS (ONE ON EACH END OF PLANK). IF NECESSARY, TAP LIGHTLY WITH A WOOD BLOCK OR RUBBER Mallet. TAP ONLY ON THE CORNERS OF THE CHANNEL END CAPS. LONG LEG OF CHANNEL END CAPS SHOULD BE PLACED ON THE UNDERSIDE OF PLANK. DRILL 5/32"Ø HOLES THROUGH CHANNEL END CAPS AND PLANK AS SHOWN ON DRAWING AND ATTACH WITH POP RIVETS. REPEAT ON OTHER END.

(2) PLACE DMTGH FRAMES ON FIRM LEVEL GROUND APPROXIMATELY FIVE FEET APART. ATTACH HORIZONTAL BRACE TO FRAMES AS SHOWN ON DRAWING WITH 7/16" x 3" MACHINE BOLTS AND 7/16"Ø HEX NUTS.

(3) PLACE PLANKS AGAINST DMTGH FRAMES SO THAT PLANK DOES NOT OVERHANG THE END MOST FRAMES MORE THAN 1'-6" (3" MIN. TO 1'-6" MAX.). SEE DRAWING FOR FURTHER CLARIFICATION. ATTACH PLANKS TO DMTGH FRAMES USING (4) BOLT CLIPS, 5/16" x 3.1/2" CARRIAGE BOLTS, LOCK WASHERS AND HEX NUTS. MAKE SURE THAT FRAMES ARE PERPENDICULAR TO PLANKS. SEE BOLT CLIP DETAIL.

(4) TIGHTEN ALL BOLTS.



		P.O. BOX 118 GENEVA, ALABAMA 36340 334-684-2296			
		SCALE	N.T.S.	REVISIONS	BY
DATE	11/20/00	REDRAWN	WHW	02/13/09	
DR'N	CHM	CKD			
AP'VD					
TITLE				NO.	
DMTGH BENCH				300-E40	