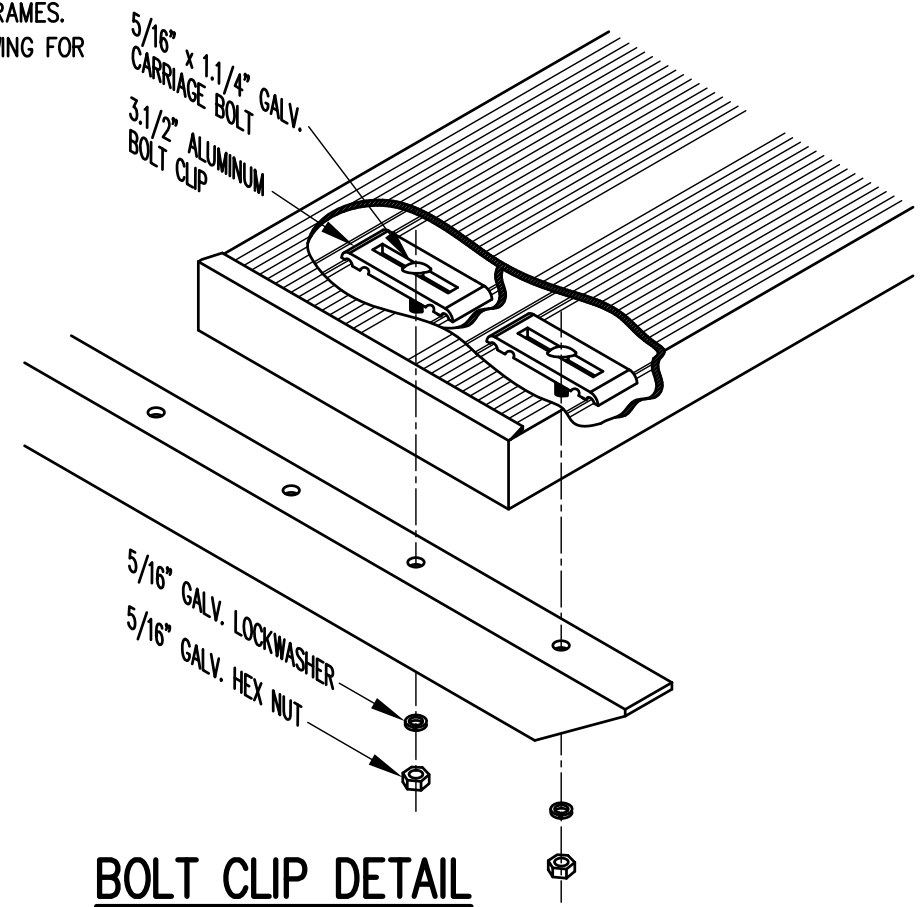
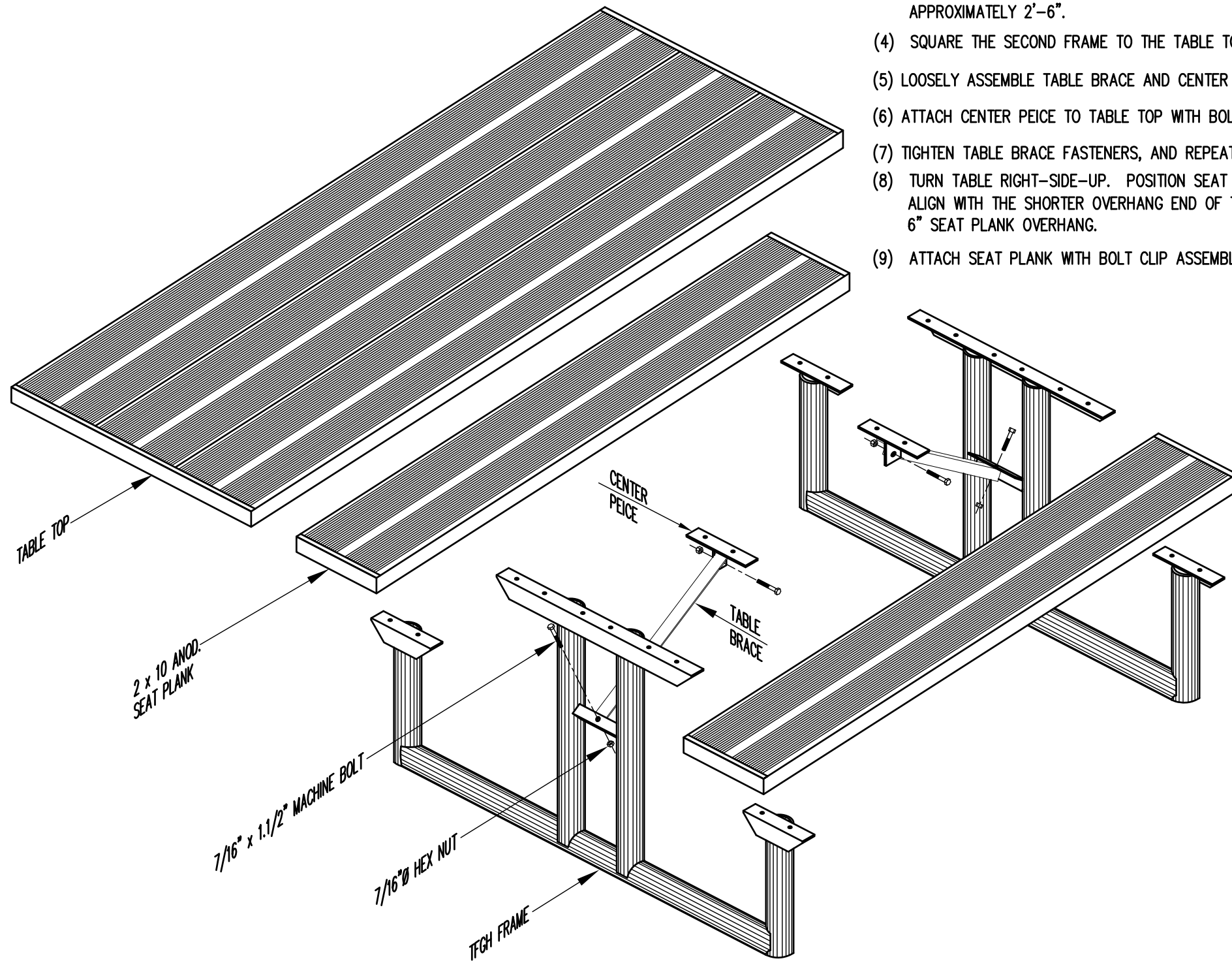



HTFGH PICNIC TABLE

(HANDICAP TABLE FRAME GALVANIZED HEAVY)

- (1) PLACE TABLE TOP UP-SIDE-DOWN ON GROUND.
- (2) POSITION ONE TABLE FRAME ON TABLE TOP, ALLOWING 6" OVERHANG TO ONE END OF THE TOP. SQUARE THE FRAME TO THE TABLE TOP AND ATTACH WITH BOLT CLIP ASSEMBLIES AS SHOWN.
- (3) POSITION THE OTHER TABLE FRAME ON TABLE TOP ALLOWING FOR A 5'-0" DISTANCE, MEASURING FROM CENTER TO CENTER OF THE FRAMES. THE TABLE TOP OVERHANG FROM THIS FRAME WILL BE APPROXIMATELY 2'-6".
- (4) SQUARE THE SECOND FRAME TO THE TABLE TOP, ATTACH WITH BOLT CLIP ASSEMBLIES, AND TIGHTEN.
- (5) LOOSELY ASSEMBLE TABLE BRACE AND CENTER PEICE TO TABLE FRAME WITH 7/16" x 1.1/2" MACHINE BOLTS AND HEX NUTS.
- (6) ATTACH CENTER PEICE TO TABLE TOP WITH BOLT CLIP ASSEMBLIES.
- (7) TIGHTEN TABLE BRACE FASTENERS, AND REPEAT ASSEMBLY FOR OPPOSITE TABLE BRACE AND CENTER PEICE.
- (8) TURN TABLE RIGHT-SIDE-UP. POSITION SEAT PLANK ONTO TABLE FRAMES. ALIGN WITH THE SHORTER OVERHANG END OF THE TABLE TOP, ALLOWING FOR 6" SEAT PLANK OVERHANG.
- (9) ATTACH SEAT PLANK WITH BOLT CLIP ASSEMBLIES.



		Outdoor Aluminum P.O. BOX 118 GENEVA, ALABAMA 36340 334-684-2296			
				SCALE	3/4"=1'-0"
DATE	11/4/04	UPDATED INSTRUCTIONS/ADDED BRACE SUPP.		GDK	01/07
DR'N	RLH	CKD			
AP'VD					
TITLE				NO.	
HTFGH PICNIC TABLE				350-E12	