

PLEASE READ THROUGH INSTRUCTIONS ONCE BEFORE ASSEMBLING

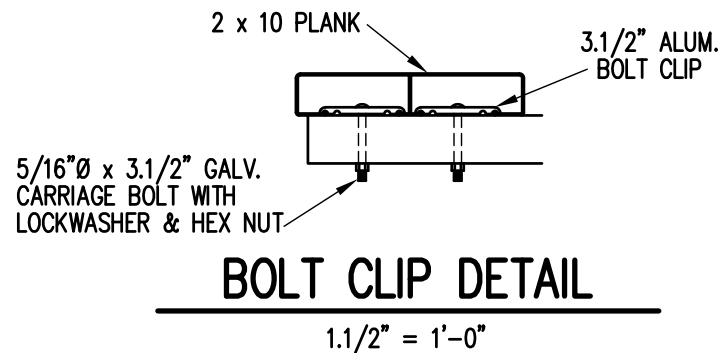
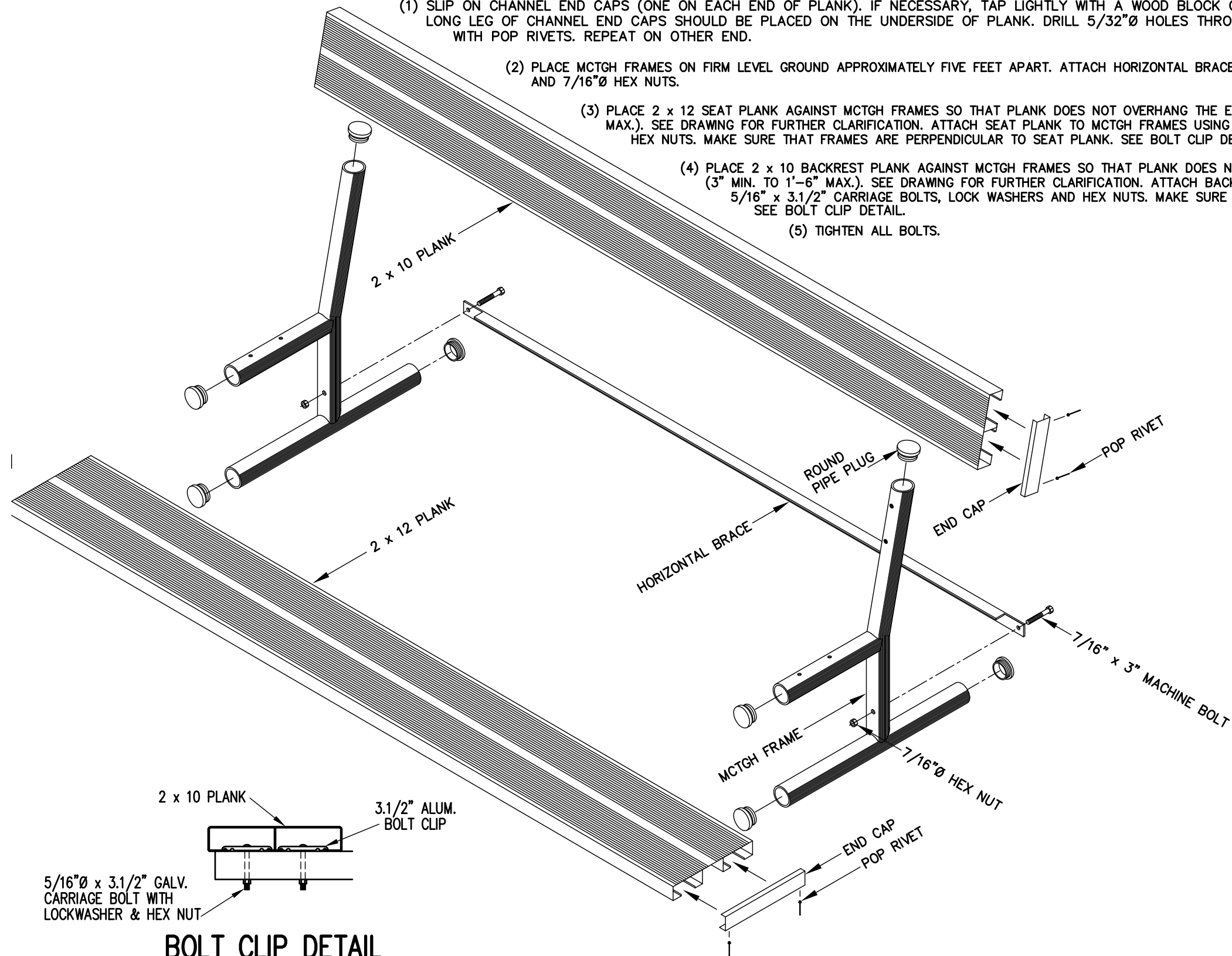
(1) SLIP ON CHANNEL END CAPS (ONE ON EACH END OF PLANK). IF NECESSARY, TAP LIGHTLY WITH A WOOD BLOCK OR RUBBER Mallet. TAP ONLY ON THE CORNERS OF THE CHANNEL END CAPS. LONG LEG OF CHANNEL END CAPS SHOULD BE PLACED ON THE UNDERSIDE OF PLANK. DRILL 5/32"Ø HOLES THROUGH CHANNEL END CAPS AND PLANK AS SHOWN ON DRAWING AND ATTACH WITH POP RIVETS. REPEAT ON OTHER END.


(2) PLACE MCTGH FRAMES ON FIRM LEVEL GROUND APPROXIMATELY FIVE FEET APART. ATTACH HORIZONTAL BRACE TO FRAMES AS SHOWN ON DRAWING WITH 7/16" x 3" MACHINE BOLTS AND 7/16"Ø HEX NUTS.

(3) PLACE 2 x 12 SEAT PLANK AGAINST MCTGH FRAMES SO THAT PLANK DOES NOT OVERHANG THE END MOST FRAMES MORE THAN 1'-6" (3" MIN. TO 1'-6" MAX.). SEE DRAWING FOR FURTHER CLARIFICATION. ATTACH SEAT PLANK TO MCTGH FRAMES USING 2 BOLT CLIPS, 5/16" x 3.1/2" CARRIAGE BOLTS, LOCK WASHERS AND HEX NUTS. MAKE SURE THAT FRAMES ARE PERPENDICULAR TO SEAT PLANK. SEE BOLT CLIP DETAIL.

(4) PLACE 2 x 10 BACKREST PLANK AGAINST MCTGH FRAMES SO THAT PLANK DOES NOT OVERHANG THE END MOST FRAMES MORE THAN 1'-6" (3" MIN. TO 1'-6" MAX.). SEE DRAWING FOR FURTHER CLARIFICATION. ATTACH BACKREST PLANK TO MCTGH FRAMES USING 2 BOLT CLIPS, 5/16" x 3.1/2" CARRIAGE BOLTS, LOCK WASHERS AND HEX NUTS. MAKE SURE THAT FRAMES ARE PERPENDICULAR TO BACKREST PLANK. SEE BOLT CLIP DETAIL.

(5) TIGHTEN ALL BOLTS.



		Outdoor Aluminum P.O. BOX 118 GENEVA, ALABAMA 36340 334-684-2296					
				SCALE	N.T.S.		
DATE	11/20/00	REVISIONS	SEAT FROM OAX-025 TO OAX-055	BY	GDK	DATE	02/23/01
DR'N	CHM CKD		BACKREST FROM OAX-035 TO OAX-045		GDK		02/23/01
AP'VD			REDRAWN		WHW		02/13/09
TITLE						NO.	
MCTGH BENCH						300-E71	