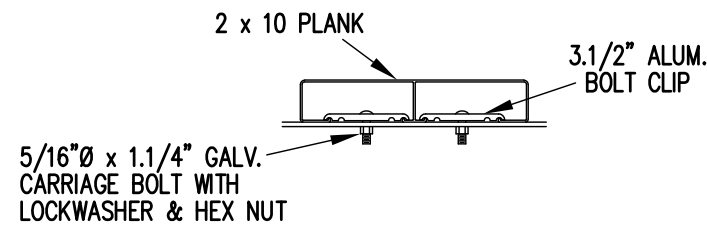
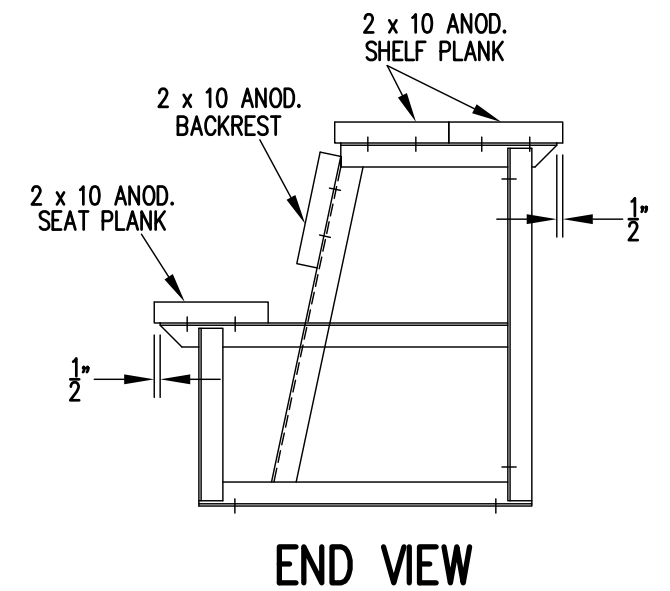
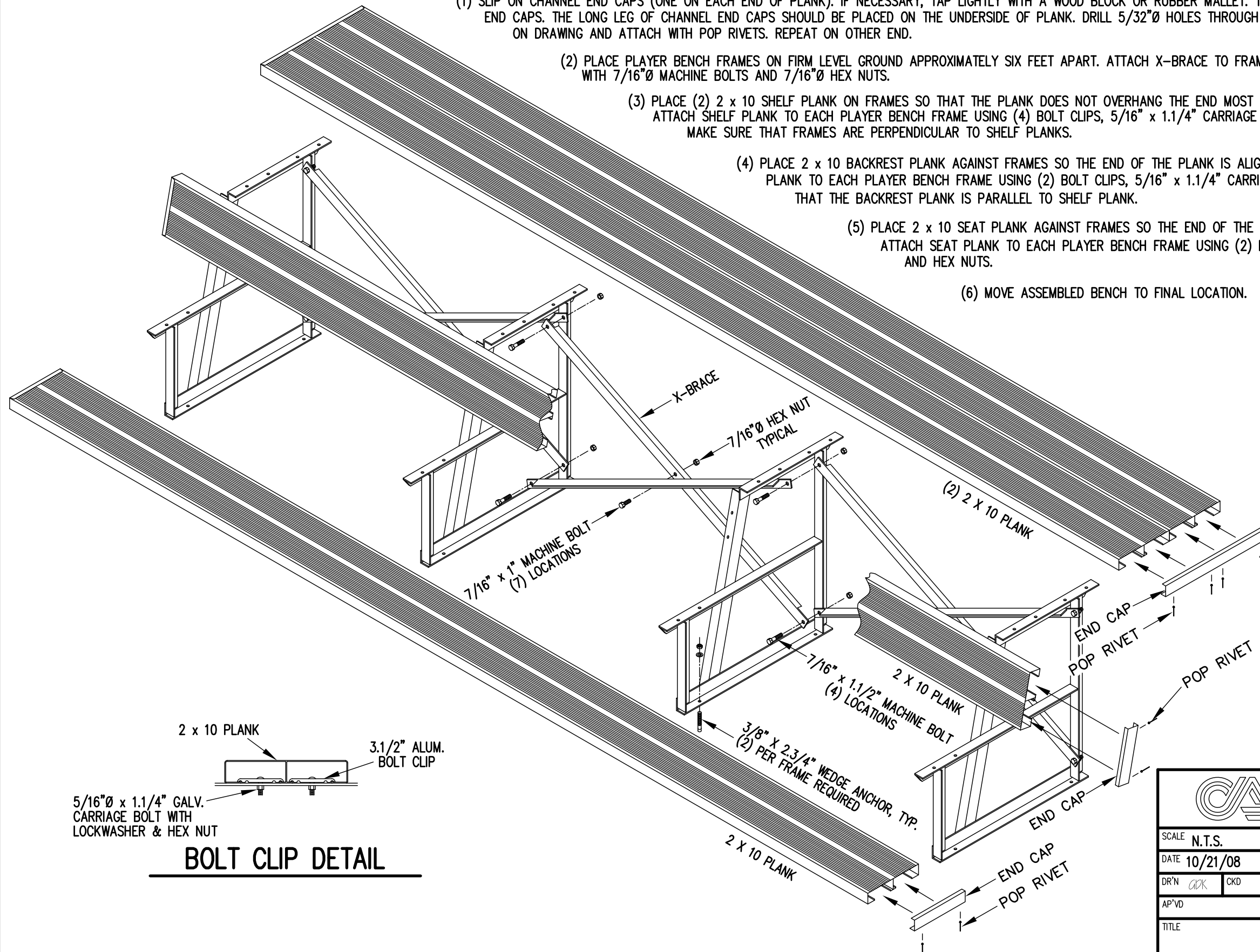



PLEASE READ THROUGH INSTRUCTIONS ONCE BEFORE ASSEMBLING

- (1) SLIP ON CHANNEL END CAPS (ONE ON EACH END OF PLANK). IF NECESSARY, TAP LIGHTLY WITH A WOOD BLOCK OR RUBBER Mallet. TAP ONLY ON THE CORNERS OF THE CHANNEL END CAPS. THE LONG LEG OF CHANNEL END CAPS SHOULD BE PLACED ON THE UNDERSIDE OF PLANK. DRILL $5/32"$ HOLES THROUGH CHANNEL END CAPS AND PLANK AS SHOWN ON DRAWING AND ATTACH WITH POP RIVETS. REPEAT ON OTHER END.
- (2) PLACE PLAYER BENCH FRAMES ON FIRM, LEVEL GROUND APPROXIMATELY SIX FEET APART. ATTACH X-BRACE TO FRAMES AS SHOWN ON DRAWING WITH $7/16"$ MACHINE BOLTS AND $7/16"$ HEX NUTS.
- (3) PLACE (2) 2 x 10 SHELF PLANK ON FRAMES SO THAT THE PLANK DOES NOT OVERHANG THE END MOST FRAMES MORE THAN 1'-6" ATTACH SHELF PLANK TO EACH PLAYER BENCH FRAME USING (4) BOLT CLIPS, $5/16"$ x $1.1/4"$ CARRIAGE BOLTS, LOCK WASHERS AND HEX NUTS. (SEE BOLT CLIP DETAIL) MAKE SURE THAT FRAMES ARE PERPENDICULAR TO SHELF PLANKS.
- (4) PLACE 2 x 10 BACKREST PLANK AGAINST FRAMES SO THE END OF THE PLANK IS ALIGNED WITH THE END OF THE SHELF PLANK. ATTACH BACKREST PLANK TO EACH PLAYER BENCH FRAME USING (2) BOLT CLIPS, $5/16"$ x $1.1/4"$ CARRIAGE BOLTS, LOCK WASHERS AND HEX NUTS, MAKING SURE THAT THE BACKREST PLANK IS PARALLEL TO SHELF PLANK.
- (5) PLACE 2 x 10 SEAT PLANK AGAINST FRAMES SO THE END OF THE PLANK IS ALIGNED WITH PREVIOUSLY MOUNTED PLANK. ATTACH SEAT PLANK TO EACH PLAYER BENCH FRAME USING (2) BOLT CLIPS, $5/16"$ x $1.1/4"$ CARRIAGE BOLTS, LOCK WASHERS, AND HEX NUTS.
- (6) MOVE ASSEMBLED BENCH TO FINAL LOCATION. ATTACH TO CONCRETE WITH PROVIDED WEDGE ANCHORS.



BOLT CLIP DETAIL

		Outdoor Aluminum		P.O. BOX 118 GENEVA, ALABAMA 36340 334-684-2296	
SCALE	N.T.S.	REVISIONS	BY	DATE	
DATE	10/21/08				
DR'N	ADK CKD				
AP'VD					
TITLE					NO.
PLAYER BENCH W/SHELF					300-E125