

PLEASE READ THROUGH INSTRUCTIONS ONCE BEFORE ASSEMBLING

(1) SLIP ON CHANNEL END CAPS (ONE ON EACH END OF PLANK). IF NECESSARY, TAP LIGHTLY WITH A WOOD BLOCK OR RUBBER Mallet. TAP ONLY ON THE CORNERS OF THE CHANNEL END CAPS. LONG LEG OF CHANNEL END CAPS SHOULD BE PLACED ON THE UNDERSIDE OF PLANK. DRILL 5/32"Ø HOLES THROUGH CHANNEL END CAPS AND PLANK AS SHOWN ON DRAWING AND ATTACH WITH POP RIVETS. REPEAT ON OTHER END.

(2) LAY PCTS FRAMES ON FIRM LEVEL GROUND, APPROXIMATELY SIX FEET APART. STAND FRAMES UPRIGHT ON THEIR BACKS, SO THAT SEAT TUBES ARE APPROXIMATELY IN THE VERTICAL POSITION. PLACE 2 x 10 BACKREST PLANK AGAINST FRAMES SO THAT THE PLANK DOES NOT OVERHANG THE END MOST FRAMES MORE THAN 1'-6" (3" MIN. TO 1'-6" MAX.) SEE DRAWING FOR FURTHER CLARIFICATION.

(3) ATTACH PCTS FRAMES TO BOTTOM SIDE OF BACKREST PLANK USING 2 BOLT CLIPS, 5/16" x 3" CARRIAGE BOLTS, LOCK WASHERS AND HEX NUTS, MAKING SURE THAT FRAMES ARE PERPENDICULAR TO BACKREST PLANK. SEE BOLT CLIP DETAIL.

(4) PLACE 2 x 12 SEAT PLANK AGAINST PCTS FRAMES SO THAT THE PLANKS DO NOT OVERHANG THE END MOST FRAMES MORE THAN 1'-6" (3" MIN. TO 1'-6" MAX.) SEE DRAWING FOR FURTHER CLARIFICATION.

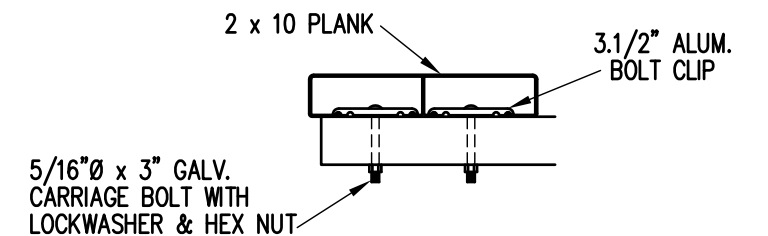
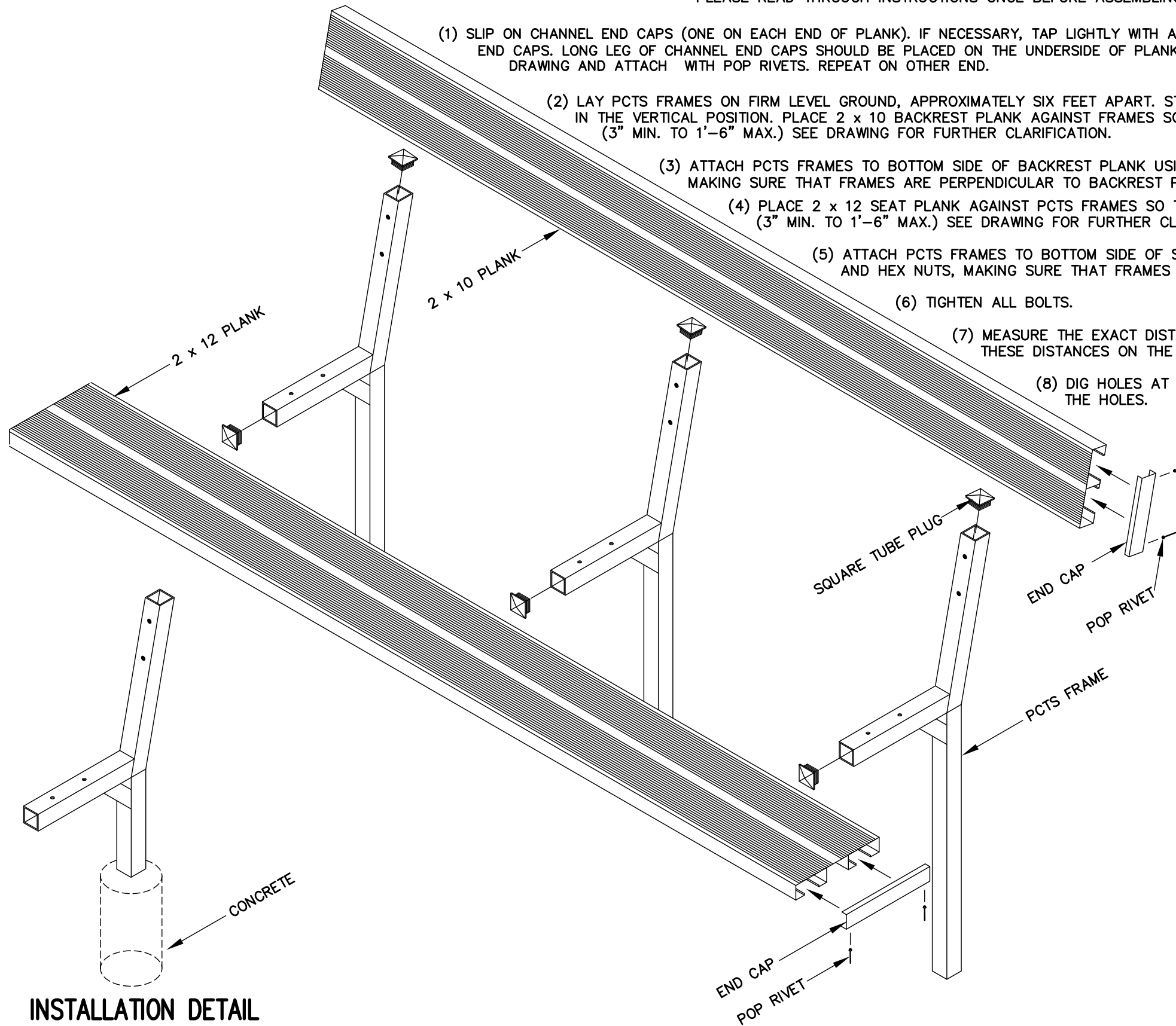
(5) ATTACH PCTS FRAMES TO BOTTOM SIDE OF SEAT PLANKS USING 2 BOLT CLIPS, 5/16" x 3" CARRIAGE BOLTS, LOCK WASHERS, AND HEX NUTS, MAKING SURE THAT FRAMES ARE PERPENDICULAR TO SEAT PLANKS. SEE BOLT CLIP DETAIL.

(6) TIGHTEN ALL BOLTS.

(7) MEASURE THE EXACT DISTANCE BETWEEN FRAMES OF THE ASSEMBLED BENCH. MEASURE AND MARK THESE DISTANCES ON THE GROUND.

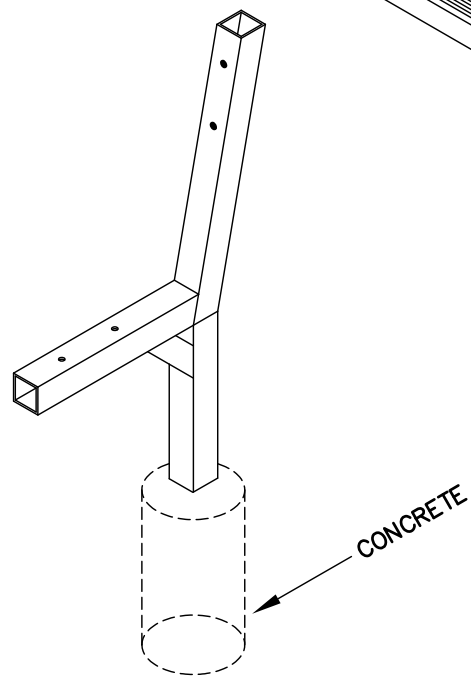
(8) DIG HOLES AT THE DESIGNATED LOCATIONS AND POUR READY-MIX CONCRETE INTO THE HOLES.

(9) TURN THE BENCH UPRIGHT AND PLACE THE LEGS IN THE PREPARED CONCRETE. POSITION THE HEIGHT OF BENCH SO THAT THE SEAT PLANK SURFACE IS 17" TO 18" ABOVE GROUND LEVEL. SHORE ASSEMBLED UNIT AS REQUIRED UNTIL CONCRETE HAS ADEQUATELY CURED, TO ALLOW BENCH TO STAND ON ITS OWN.



BOLT CLIP DETAIL

1.1/2" = 1'-0"



INSTALLATION DETAIL

		P.O. BOX 118 GENEVA, ALABAMA 36340 334-684-2296		
		SCALE	N.T.S.	
DATE	11/20/00	REVISIONS	BY	DATE
DR'N	CHM CKD	SEAT FROM OAX-025 TO OAX-055	GDK	02/23/01
AP'VD		BACKREST FROM OAX-035 TO OAX-045	GDK	02/23/01
TITLE	PCTS BENCH		NO.	300-E18
		REDRAWN	WHW	02/13/09