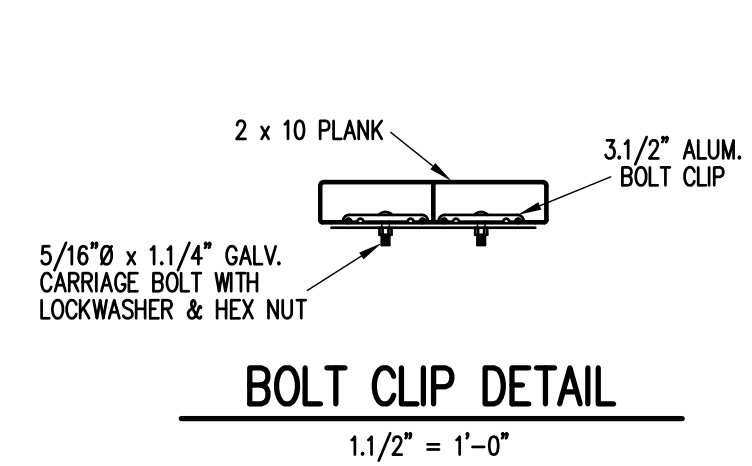
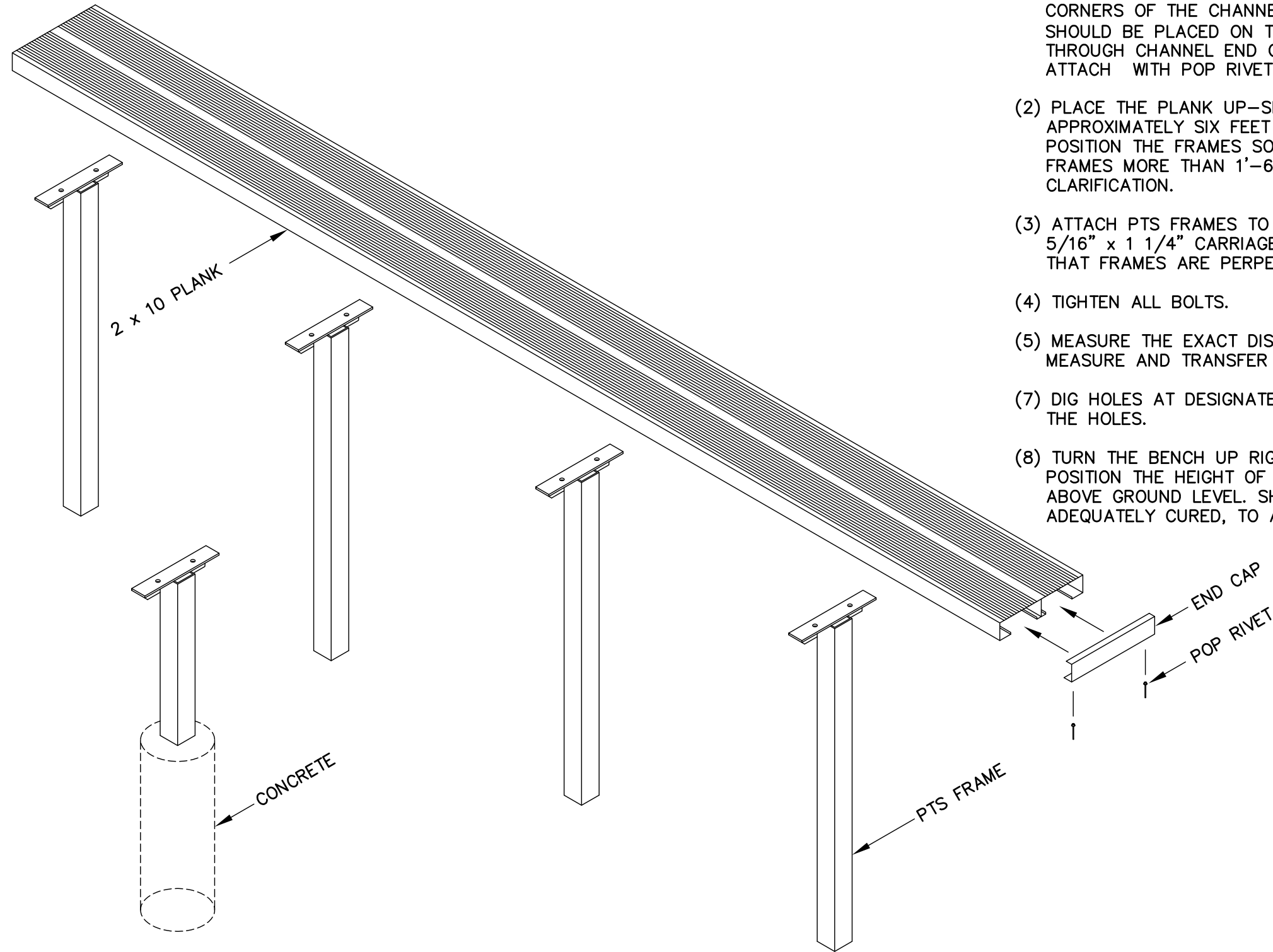


PLEASE READ THROUGH INSTRUCTIONS ONCE BEFORE ASSEMBLING

- (1) SLIP ON CHANNEL END CAPS (ONE ON EACH END OF PLANK). IF NECESSARY, TAP LIGHTLY WITH A WOOD BLOCK OR RUBBER Mallet. TAP ONLY ON THE CORNERS OF THE CHANNEL END CAPS. LONG LEG OF CHANNEL END CAPS SHOULD BE PLACED ON THE UNDERSIDE OF PLANK. DRILL  $5/32"$   $\emptyset$  HOLES THROUGH CHANNEL END CAPS AND PLANK AS SHOWN ON DRAWING AND ATTACH WITH POP RIVETS. REPEAT ON OTHER END.
- (2) PLACE THE PLANK UP-SIDE-DOWN ON THE GROUND. PLACE THE PTS FRAMES APPROXIMATELY SIX FEET APART AGAINST THE BOTTOM SIDE OF THE PLANK. POSITION THE FRAMES SO THAT THE PLANK WILL NOT OVERHANG THE END MOST FRAMES MORE THAN 1'-6" (3" MIN. TO 1'-6" MAX.) . SEE DRAWING FOR FURTHER CLARIFICATION.
- (3) ATTACH PTS FRAMES TO BOTTOM SIDE OF THE PLANK USING (2) BOLT CLIPS,  $5/16"$   $\times$   $1\ 1/4"$  CARRIAGE BOLTS, LOCK WASHERS, AND HEX NUTS. MAKE SURE THAT FRAMES ARE PERPENDICULAR TO THE PLANK. SEE BOLT CLIP DETAIL.
- (4) TIGHTEN ALL BOLTS.
- (5) MEASURE THE EXACT DISTANCE BETWEEN FRAMES OF THE ASSEMBLED BENCH, MEASURE AND TRANSFER THESE DISTANCES ON THE GROUND.
- (7) DIG HOLES AT DESIGNATED LOCATIONS AND POUR READY-MIX CONCRETE INTO THE HOLES.
- (8) TURN THE BENCH UP RIGHT AND PLACE THE LEGS IN THE PREPARED CONCRETE. POSITION THE HEIGHT OF THE BENCH SO THAT THE PLANK SURFACE IS 17" TO 18" ABOVE GROUND LEVEL. SHORE ASSEMBLED UNIT AS REQUIRED UNTIL CONCRETE HAS ADEQUATELY CURED, TO ALLOW BENCH TO STAND ON ITS OWN.



**INSTALLATION DETAIL**

		P.O. BOX 118 GENEVA, ALABAMA 36340 334-684-2296	
DATE	11/20/00	REVISIONS	REDRAWN
DR'N	CHM	CKD	
AP'VD			
TITLE	PTS BENCH		NO. 300-E9