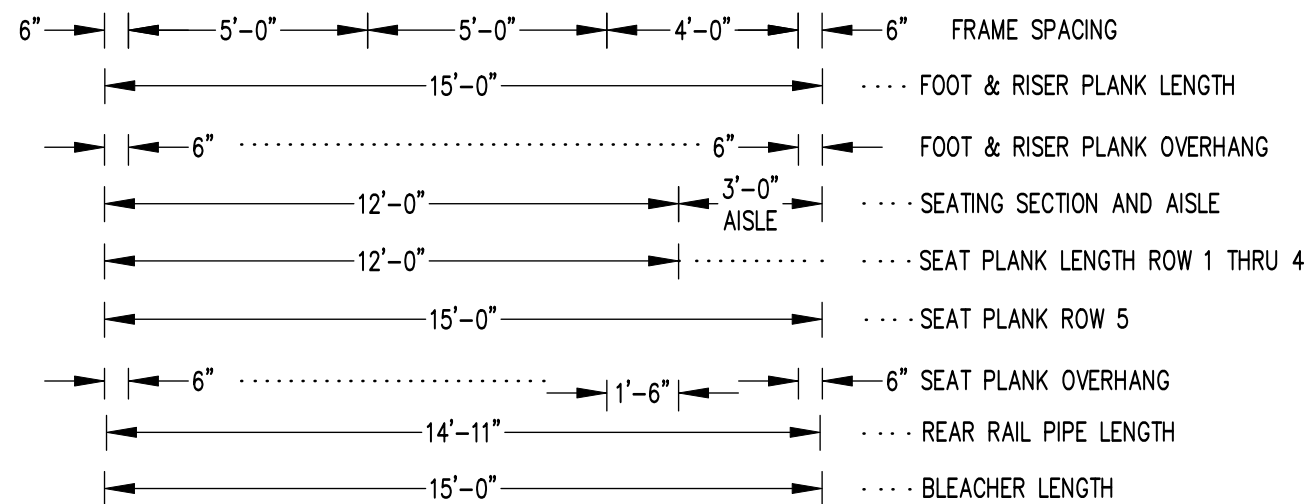


X-BRACE DETAIL

N.T.S.

- 7/16" X 1" GALV. MACH. BOLT
- △ 7/16" X 1.1/2" GALV. MACH. BOLT

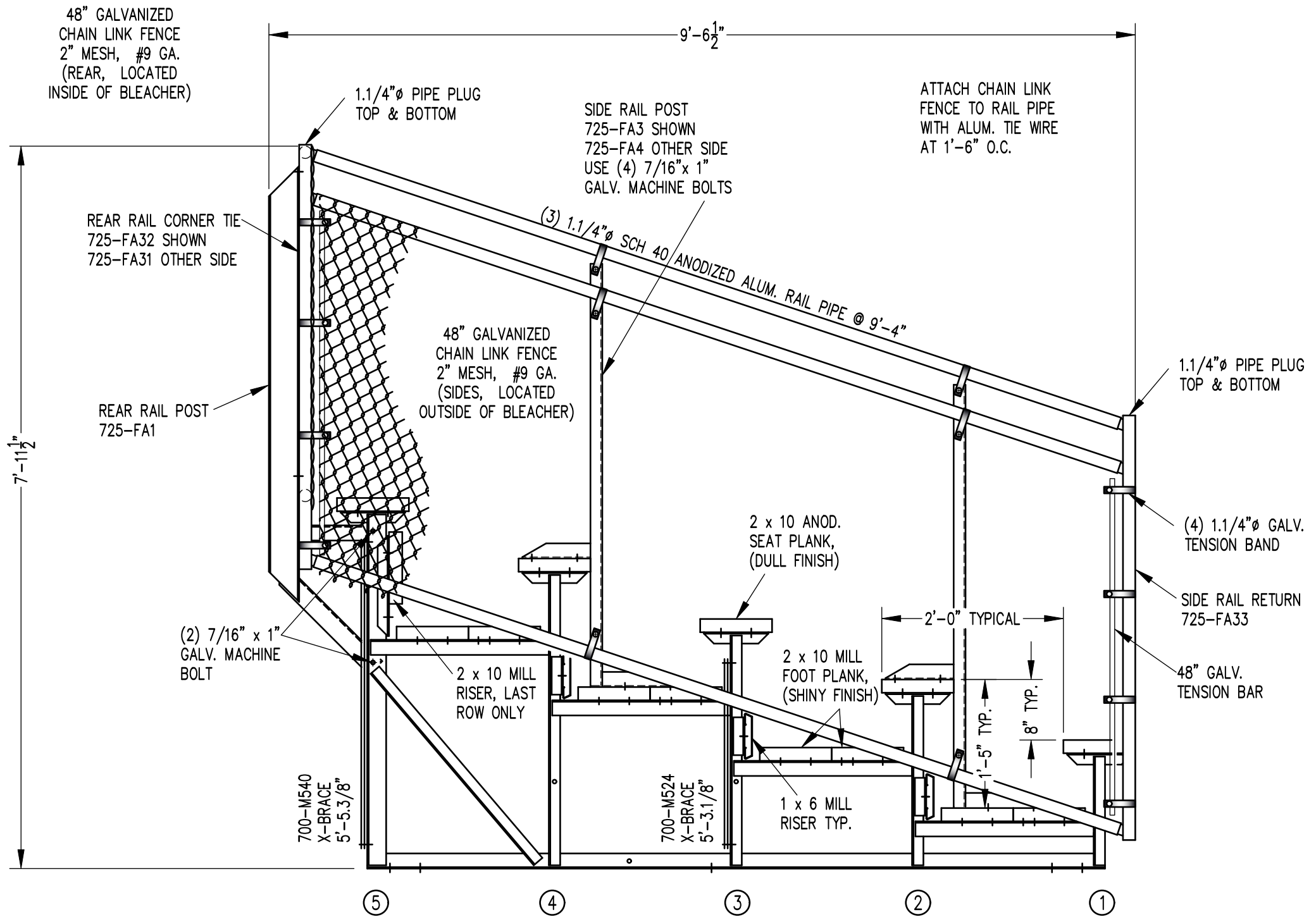


SEATING & FRAMING PLAN


1/4" = 1'-0"

42 NET SEATS @ 18" PER SEAT

		P.O. BOX 118 GENEVA, ALABAMA 36340 334-684-2296		
		SCALE	AS NOTED	REVISIONS
DATE	10/01/04	REVISED SEAT PLAN	WHW	11/15/06
DR'N	WHW	CKD	UPDATED TO 700 SERIES STANDARDS	GDK 02/18/13
AP'VD				
TITLE				NO.
SGA 5-15 SEATING/FRAMING PLAN W/AISLE				584-E2063



VIEW 'AA'
 3/4" = 1'-0"

		Outdoor Aluminum <small>P.O. BOX 118 GENEVA, ALABAMA 36340 334-684-2296</small>		
		SCALE	AS NOTED	REVISIONS
DATE	10/01/04	UPDATED REAR & SIDE RAIL POSTS	WHW	11/15/06
DR'N	WHW	CKD	UPDATED TO 700 SERIES STANDARDS	GDK 02/18/13
AP'VD				
TITLE				NO.
SG 5 ROW VIEW DOUBLE FOOTBOARD				584-E2085

48" GALVANIZED
CHAIN LINK FENCE
2" MESH, #9 GA.
(REAR, LOCATED
INSIDE OF BLEACHER)

REAR RAIL CORNER TIE
725-FA31 SHOWN
725-FA32 OTHER SIDE

REAR RAIL POST
725-FA1

7'-11 1/2"

(2) 7/16" x 1"
GALV. MACHINE
BOLT

700-M440
X-BRACE
5'-4"

2 x 10 MILL
RISER, LAST
ROW ONLY

700-MA10
TOP AISLE
HANGER

7/16" x 1" GALV.
MACHINE BOLT

HORIZONTAL
BRACE
300-MA4

2x6 AISLE PLANK
MILL @ 3'-3"

2 x 10 MILL
FOOT PLANK,
(SHINY FINISH)

1 x 6 MILL
RISER TYP.

725-MX6
HANDRAIL STAND-OFF
(1) 7/16" x 1.1/2"
GALV. MACHINE BOLT,
PLUS (1) #12 x 1.1/4"
STNLS. TEK SCREW

700-FA10
AISLE HANGER
TYPICAL

ATTACH CHAIN LINK
FENCE TO RAIL PIPE
WITH ALUM. TIE WIRE
AT 1'-6" O.C.

(3) 1.1/4" SCH 40 ANODIZED ALUM. RAIL PIPE @ 9'-4"
1.1/4" SCH 40 ANODIZED ALUM. RAIL PIPE @ 8'-0"

SIDE RAIL POST
725-FA4 SHOWN
725-FA3 OTHER SIDE
USE (4) 7/16" x 1"
GALV. MACHINE BOLTS

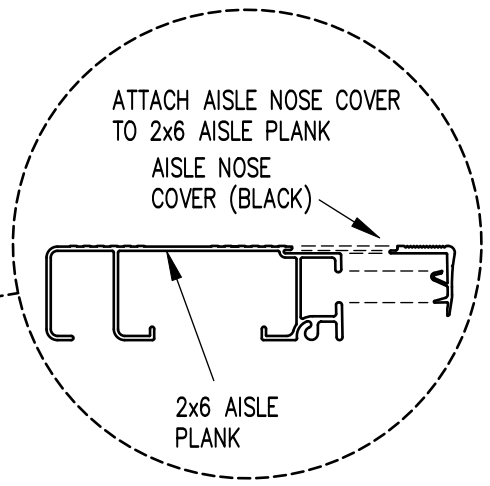
1.1/4" PIPE PLUG
TOP & BOTTOM

(4) 1.1/4" GALV.
TENSION BAND

#3 90° ELBOW
PIPE @ 0'-8"

SIDE RAIL RETURN
725-FA34

48" GALV.
TENSION BAR



NOTE: ALL AISLE HANGERS - TWO PER
LOCATION REQUIRED, TYPICAL

SECTION BB
3/4" = 1'-0"

⑤ ④ ③ ② ①



**Outdoor
Aluminum**

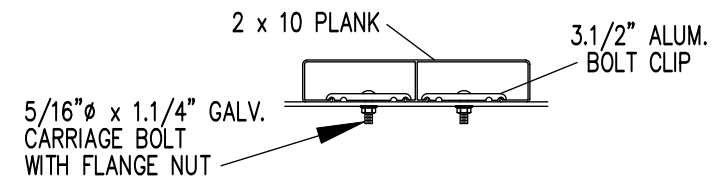
P.O. BOX 118
GENEVA, ALABAMA 36340
334-684-2296

SCALE	AS NOTED	REVISIONS	BY	DATE
DATE	10/01/04	UPDATED REAR & SIDE RAIL POSTS	WHW	11/15/06
DR'N	WHW	CKD	CES	7/17/07
AP'VD		CHANGED REAR X-BRACE LENGTH ANNOTATION	CES	5/21/10

REVISIONS	BY	DATE
UPDATED TO 700 SERIES STANDARDS	GDK	2/18/13

SGA 5 ROW END AISLE SECTION

NO.
584-E2086



BOLT CLIP DETAIL

1.1/2" = 1'-0"

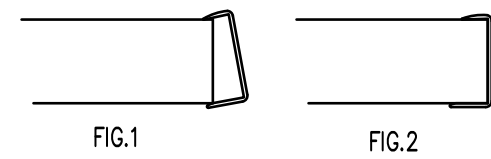
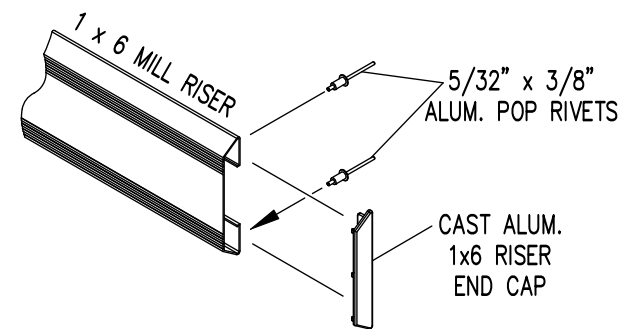


FIG.1 FIG.2

- 1) LOCATE THE CHANNEL END CAP AS SHOWN IN FIG. 1.
- 2) TAP END CAP INTO PLACE WITH RUBBER Mallet OR SOFT WOOD. FIG.2
- 3) DRILL 5/32" HOLES THROUGH THE BOTTOM FLANGE AND THE BOTTOM OUTSIDE PLANK FLANGES OF EACH PLANK. INSTALL 5/32" POP RIVETS.

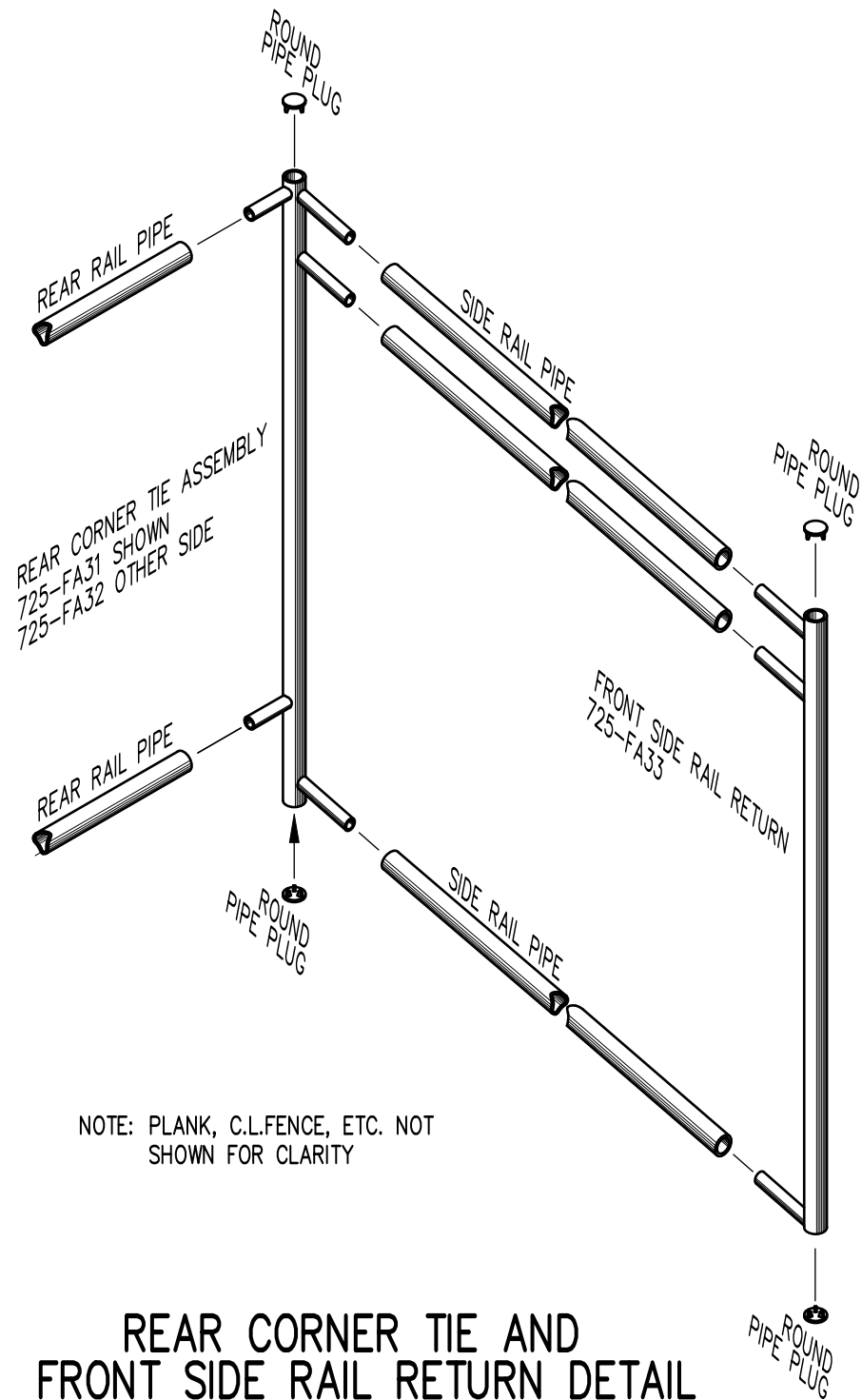
END CAP DETAIL

N.T.S.



1 x 6 RISER END CAP

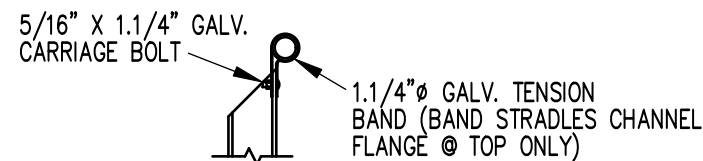
N.T.S.



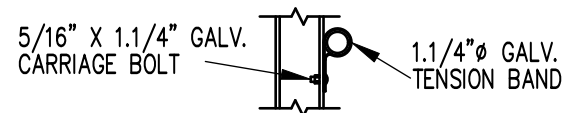
NOTE: PLANK, C.L.FENCE, ETC. NOT SHOWN FOR CLARITY

REAR CORNER TIE AND FRONT SIDE RAIL RETURN DETAIL

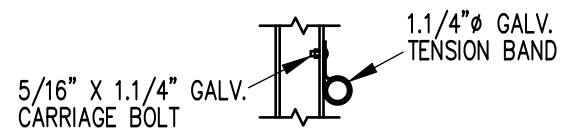
3/4" = 1'-0"



TOP RAIL

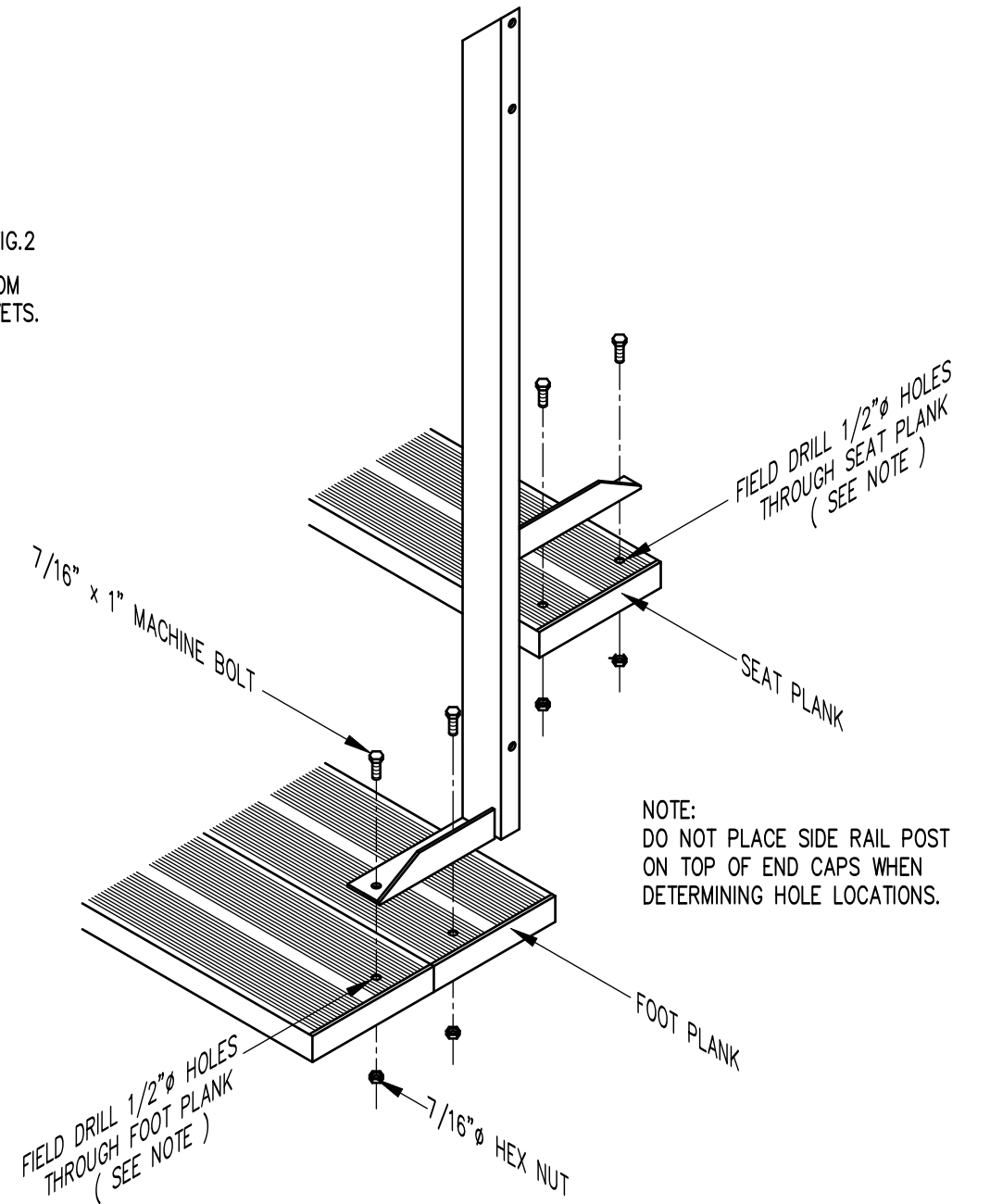


MID RAIL



LOWER RAIL

3/4" = 1'-0"



NOTE: DO NOT PLACE SIDE RAIL POST ON TOP OF END CAPS WHEN DETERMINING HOLE LOCATIONS.

TYP. SIDE RAIL POST ATTACHMENT

1" = 1'-0"

		Outdoor Aluminum P.O. BOX 118 GENEVA, ALABAMA 36340 334-684-2296					
				SCALE	AS NOTED	REVISIONS	
DATE	11/2/00	SIDE GUARDRAIL TO OUTSIDE		WHW	03/02		
DR'N	SS CKD	UPDATED TO 700 SERIES STANDARDS		GDK	12/13		
AP'VD		ADJUSTED FOR FLANGE NUTS		GDK	5/24		
TITLE				NO.			
TYPICAL DETAILS				584-E1990			