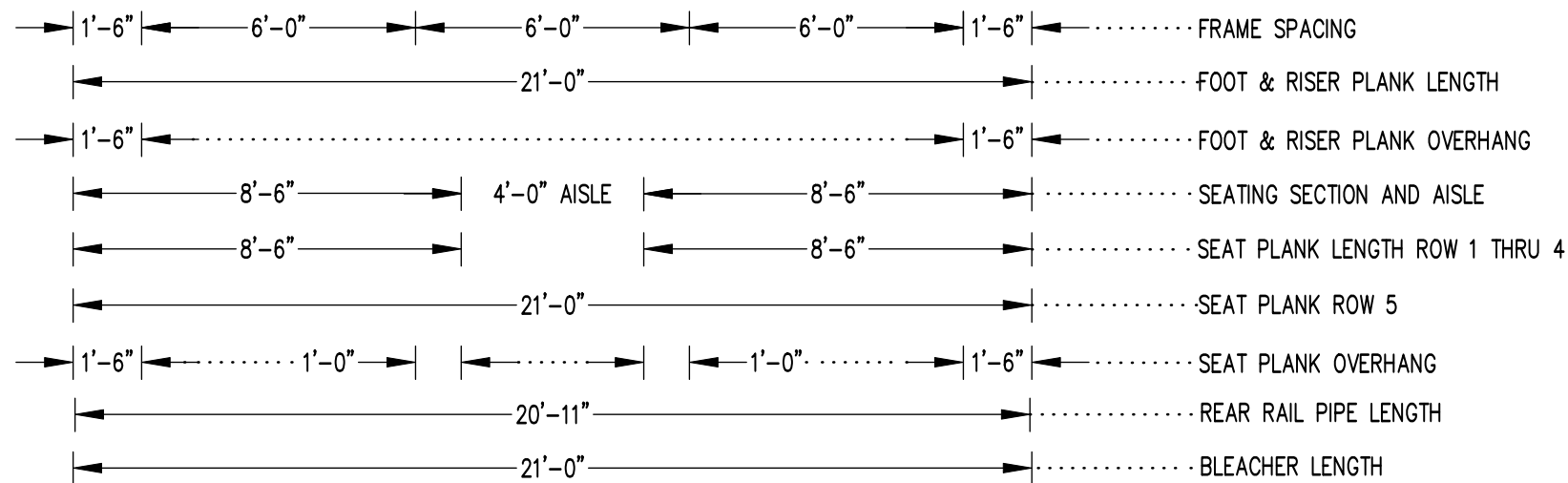


X-BRACE DETAIL

N.T.S.

- 7/16" X 1" GALV. MACH. BOLT
- △ 7/16" X 1.1/2" GALV. MACH. BOLT

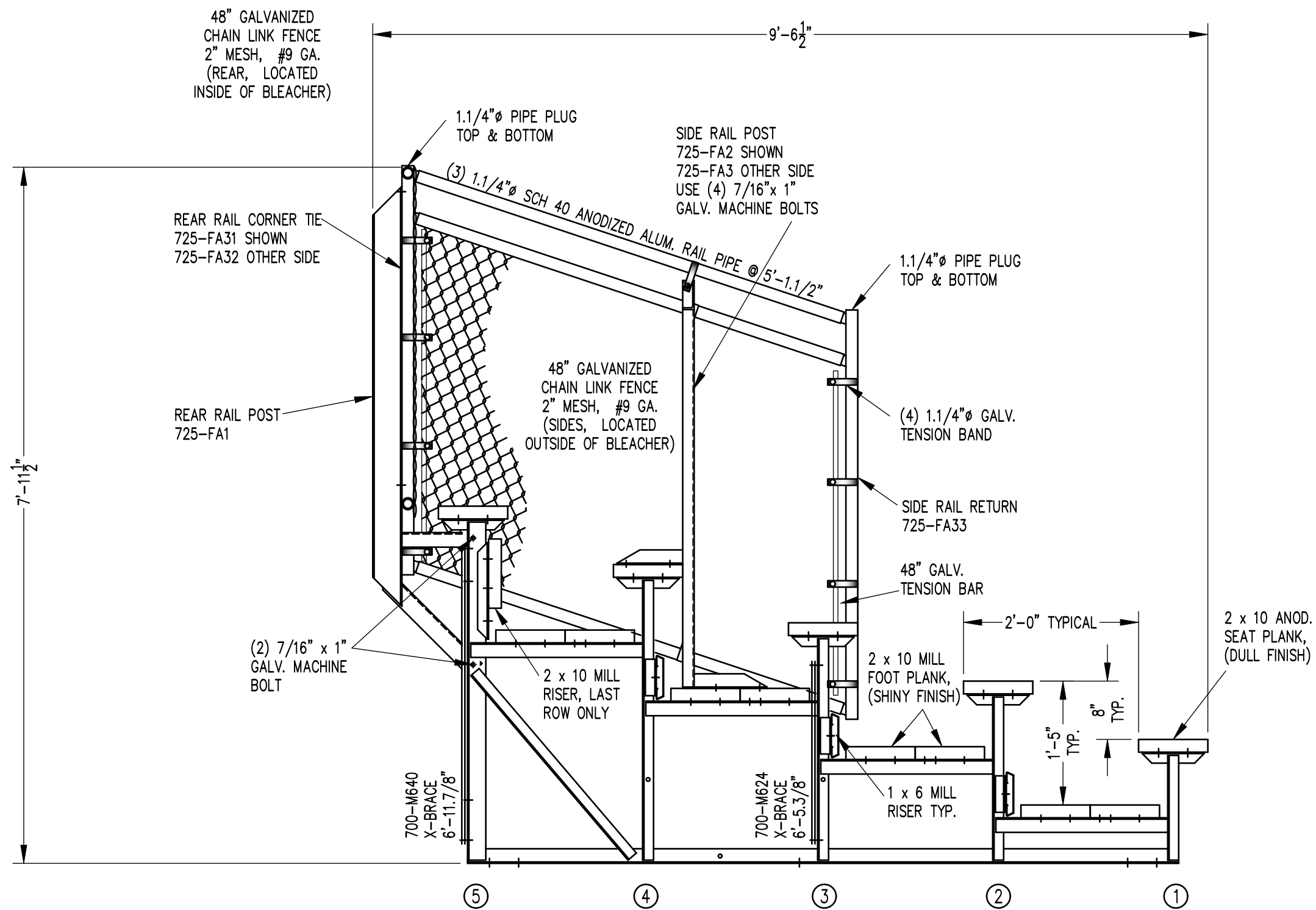


SEATING & FRAMING PLAN

1/4" = 1'-0"


54 NET SEAT @ 18" PER SEAT

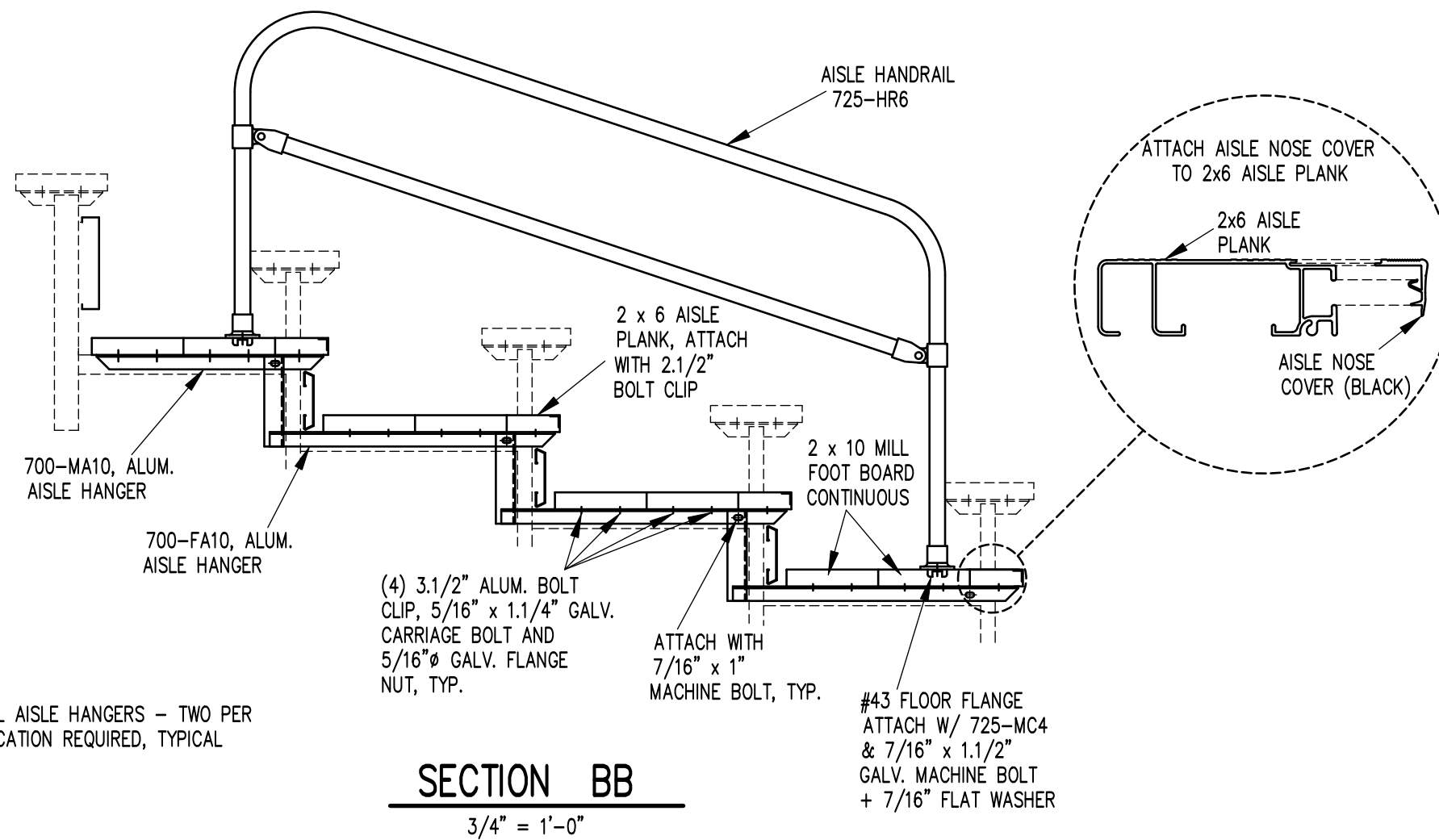
		P.O. BOX 118 GENEVA, ALABAMA 36340 334-684-2296					
				SCALE	AS NOTED	REVISIONS	
DATE	11/30/00	SIDE GUARDRAIL TO OUTSIDE		WHW	03/02		
DR'N	SS	CKD	UPDATED TO 700 SERIES STANDARDS		GDK	02/13	
AP'VD							
TITLE						NO.	
SGA 5-21 SEATING/FRAMING PLAN W/AISLE						584-E2068	




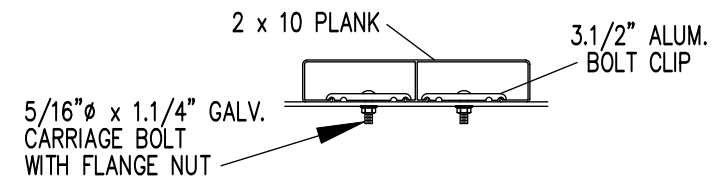
SECTION AA
 $\frac{3}{4}'' = 1'-0''$

REVISIONS	BY	DATE
UPDATED TO 700 SERIES STANDARDS	GDK	2/18/13

		Outdoor Aluminum <small>P.O. BOX 118 GENEVA, ALABAMA 36340 334-684-2296</small>			
		SCALE	AS NOTED	REVISIONS	BY
DATE	9/27/00	X-BRACE FROM BLUE TO DARK BLUE	CHM	03/97	
DR'N	SS	CKD	SIDE GUARDRAIL TO OUTSIDE	WHW	03/02
AP'VD		FOOTBOARD SUPPORT, FA17R2, FA22R1	RS	11/06	
TITLE				NO.	
SG 5 ROW SECTION DOUBLE FOOTBOARD				584-E2083	



		Outdoor Aluminum		P.O. BOX 118 GENEVA, ALABAMA 36340 334-684-2296	
				SCALE	3/4"=1'-0"
DATE	9/27/00	AISLE NOSE COVER		WHW	03/02
DR'N	SS	CKD	UPDATED TO 700 SERIES STANDARDS		GDK 02/13
AP'VD	ADJUSTED FOR FLANGE NUTS			GDK	5/24
TITLE					NO.
5 ROW AISLE SECTION					584-E1995



BOLT CLIP DETAIL

1.1/2" = 1'-0"

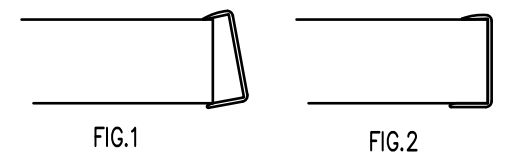
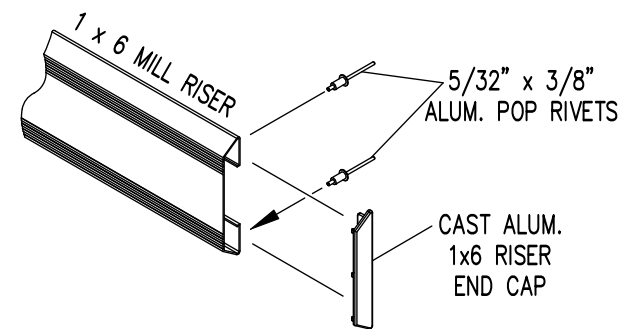


FIG.1 FIG.2

- 1) LOCATE THE CHANNEL END CAP AS SHOWN IN FIG. 1.
- 2) TAP END CAP INTO PLACE WITH RUBBER Mallet OR SOFT WOOD. FIG.2
- 3) DRILL 5/32" HOLES THROUGH THE BOTTOM FLANGE AND THE BOTTOM OUTSIDE PLANK FLANGES OF EACH PLANK. INSTALL 5/32" POP RIVETS.

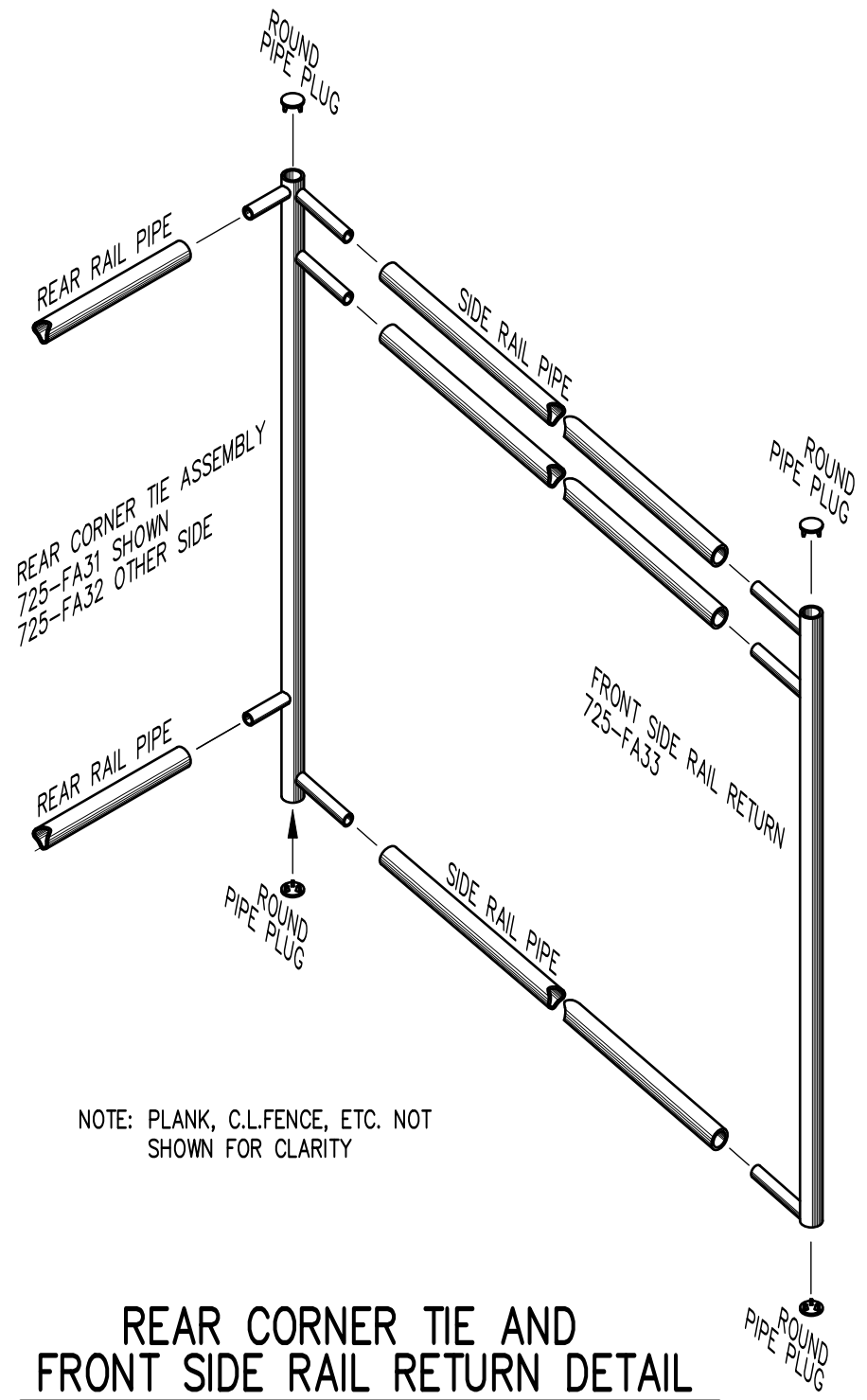
END CAP DETAIL

N.T.S.



1 x 6 RISER END CAP

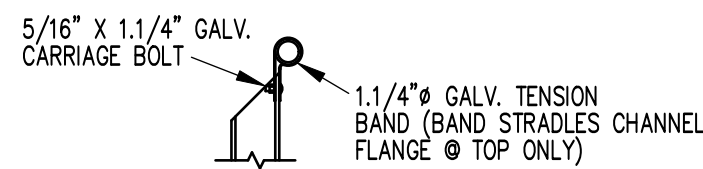
N.T.S.



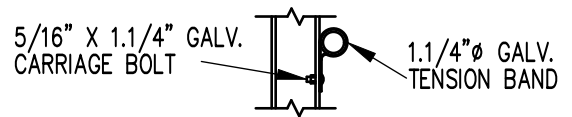
REAR CORNER TIE AND FRONT SIDE RAIL RETURN DETAIL

3/4" = 1'-0"

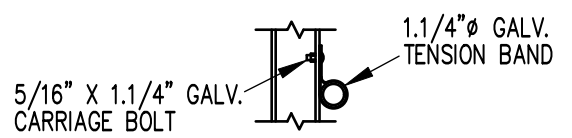
NOTE: PLANK, C.L.FENCE, ETC. NOT SHOWN FOR CLARITY



TOP RAIL

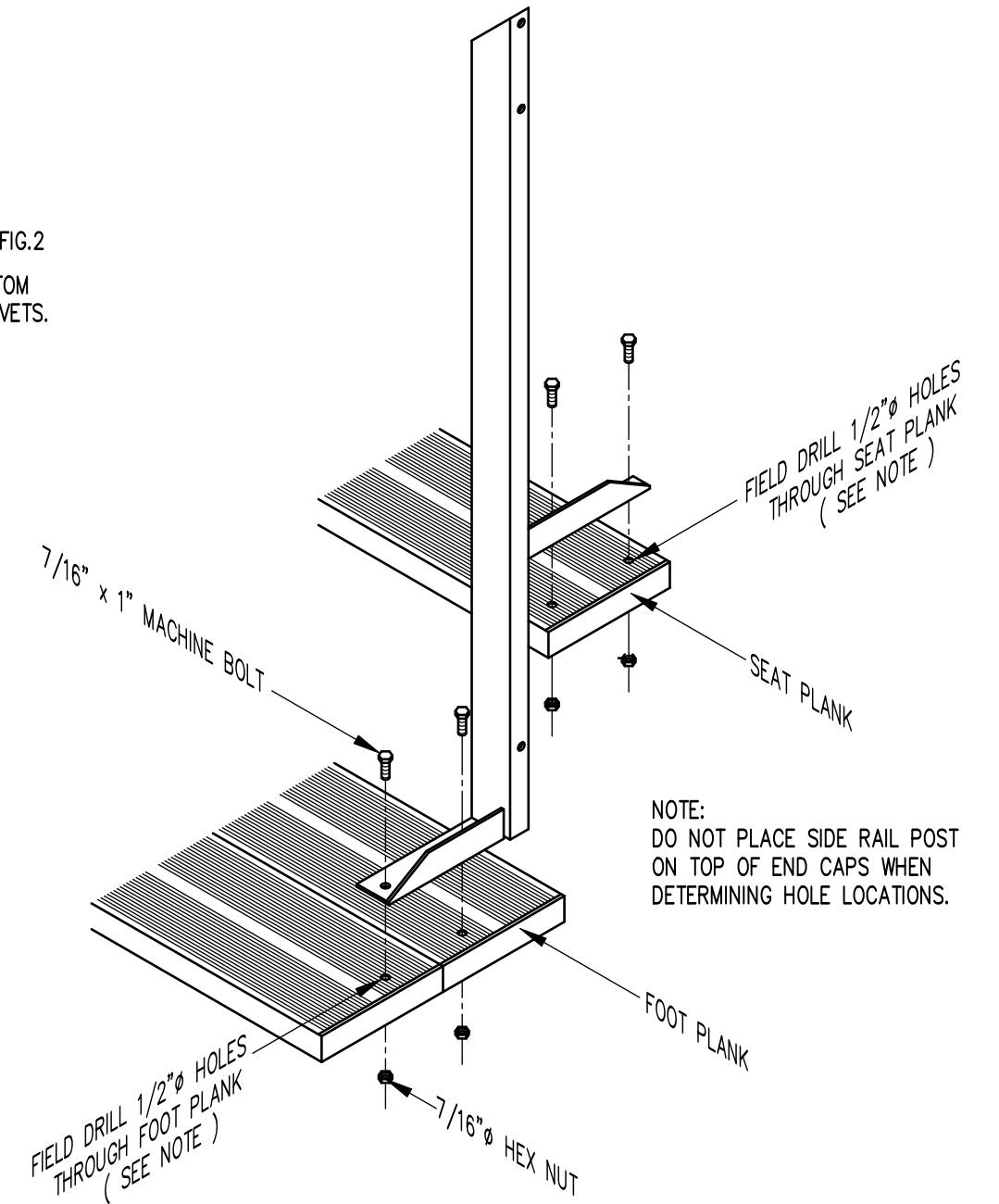


MID RAIL



LOWER RAIL

3/4" = 1'-0"



TYP. SIDE RAIL POST ATTACHMENT

1" = 1'-0"

		Outdoor Aluminum P.O. BOX 118 GENEVA, ALABAMA 36340 334-684-2296					
				SCALE	AS NOTED	REVISIONS	
DATE	11/2/00	SIDE GUARDRAIL TO OUTSIDE		WHW	03/02		
DR'N	SS CKD	UPDATED TO 700 SERIES STANDARDS		GDK	12/13		
AP'VD		ADJUSTED FOR FLANGE NUTS		GDK	5/24		
TITLE				NO.			
TYPICAL DETAILS				584-E1990			