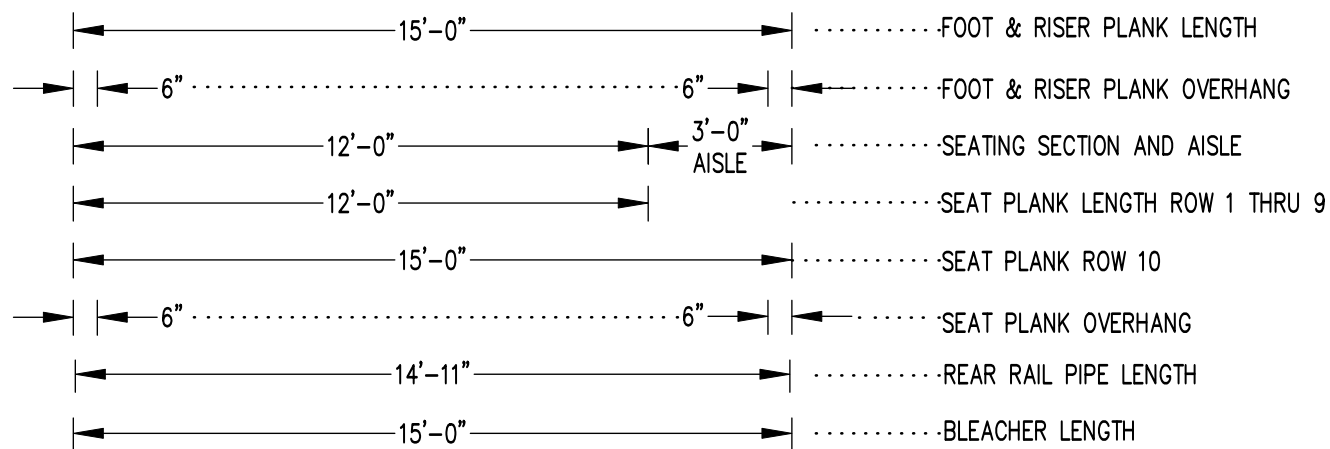
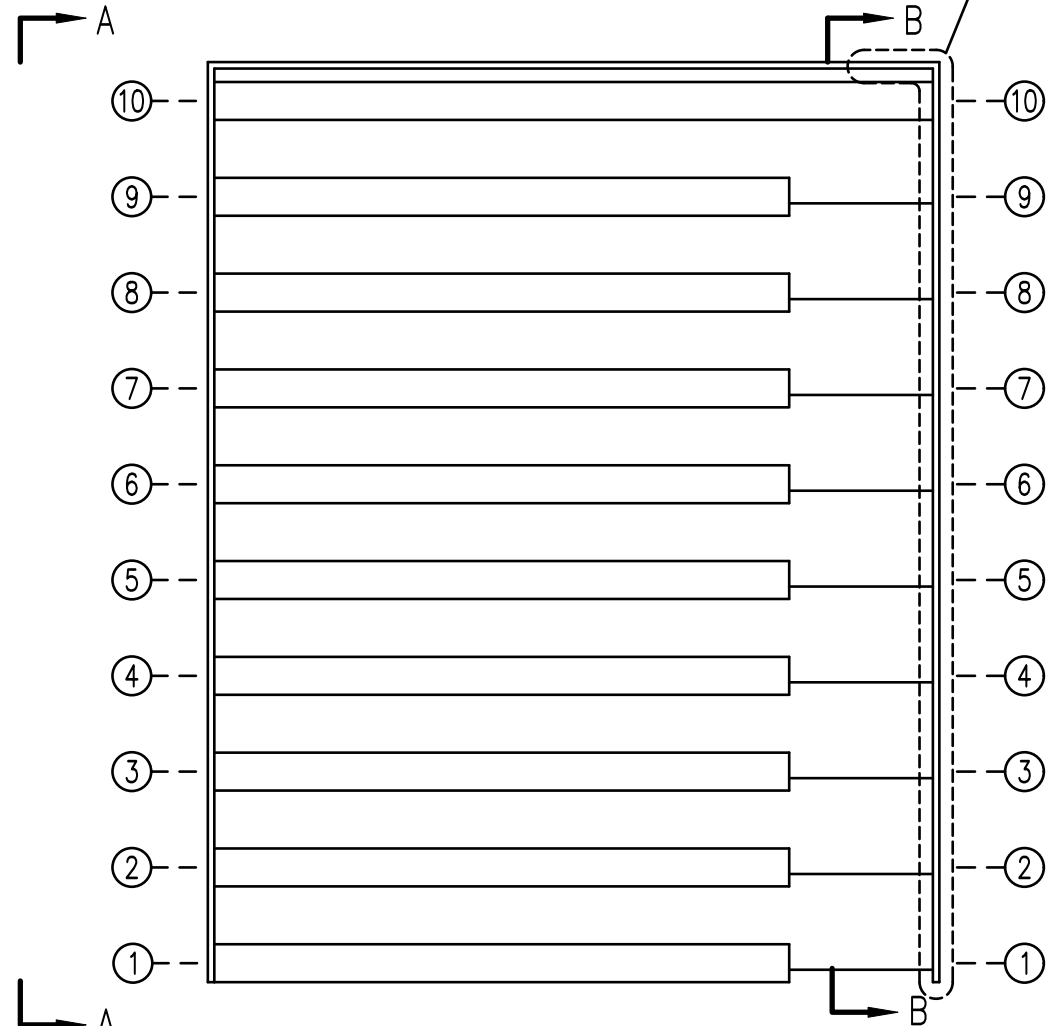
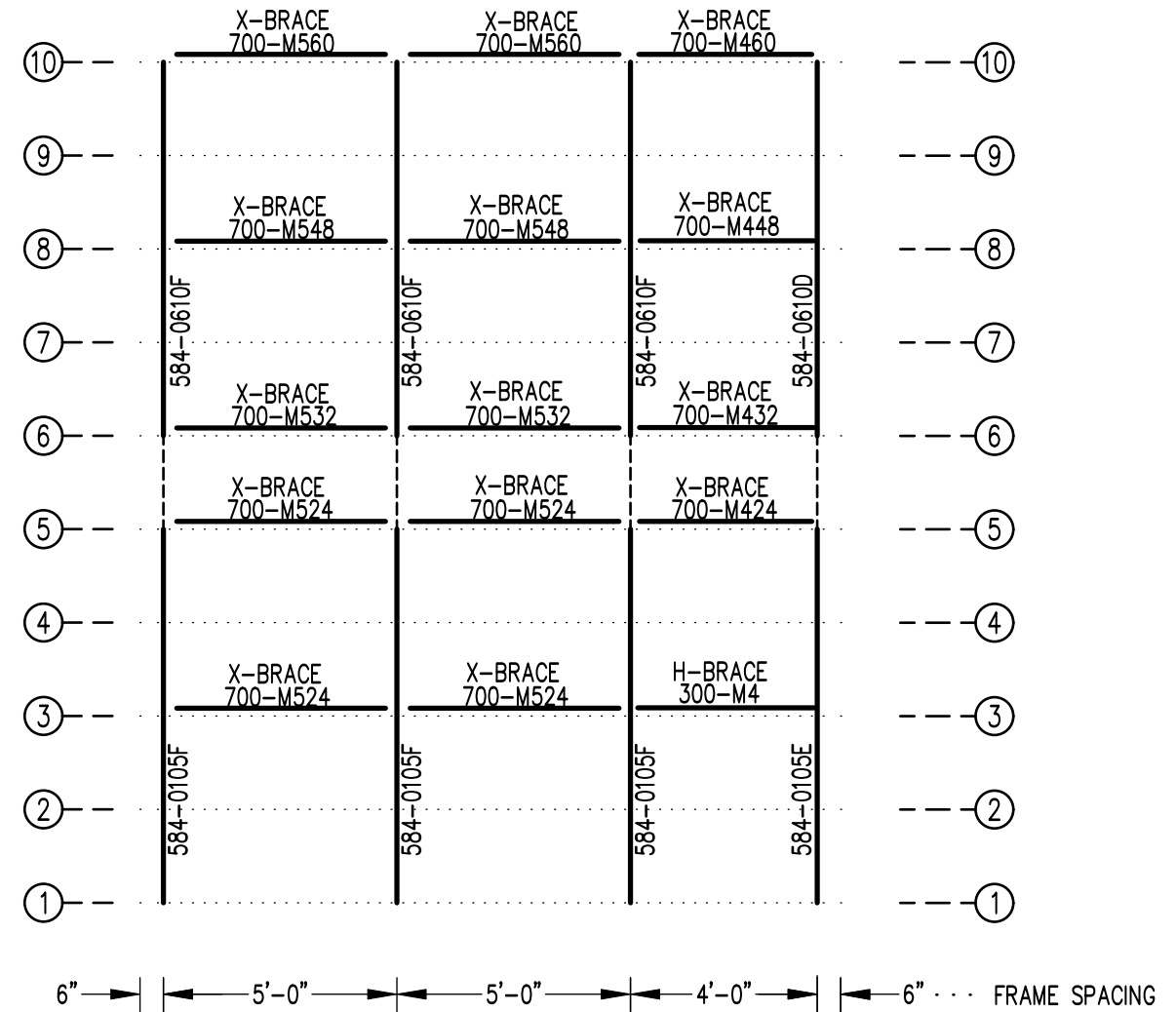


SEE REAR CORNER TIE
ASSEMBLY DETAIL
SEE DWG. 584-E1990



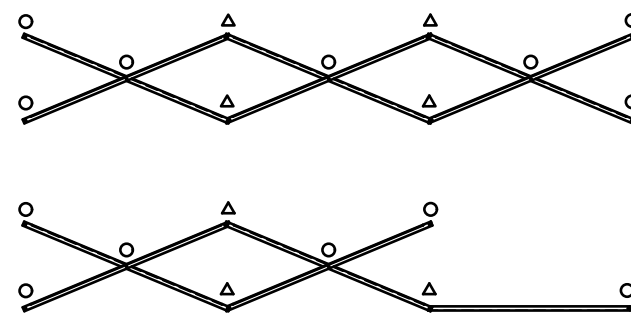
SEATING PLAN

1/4" = 1'-0"
82 NET SEATS @ 18" PER SEAT



FRAMING PLAN

1/4" = 1'-0"

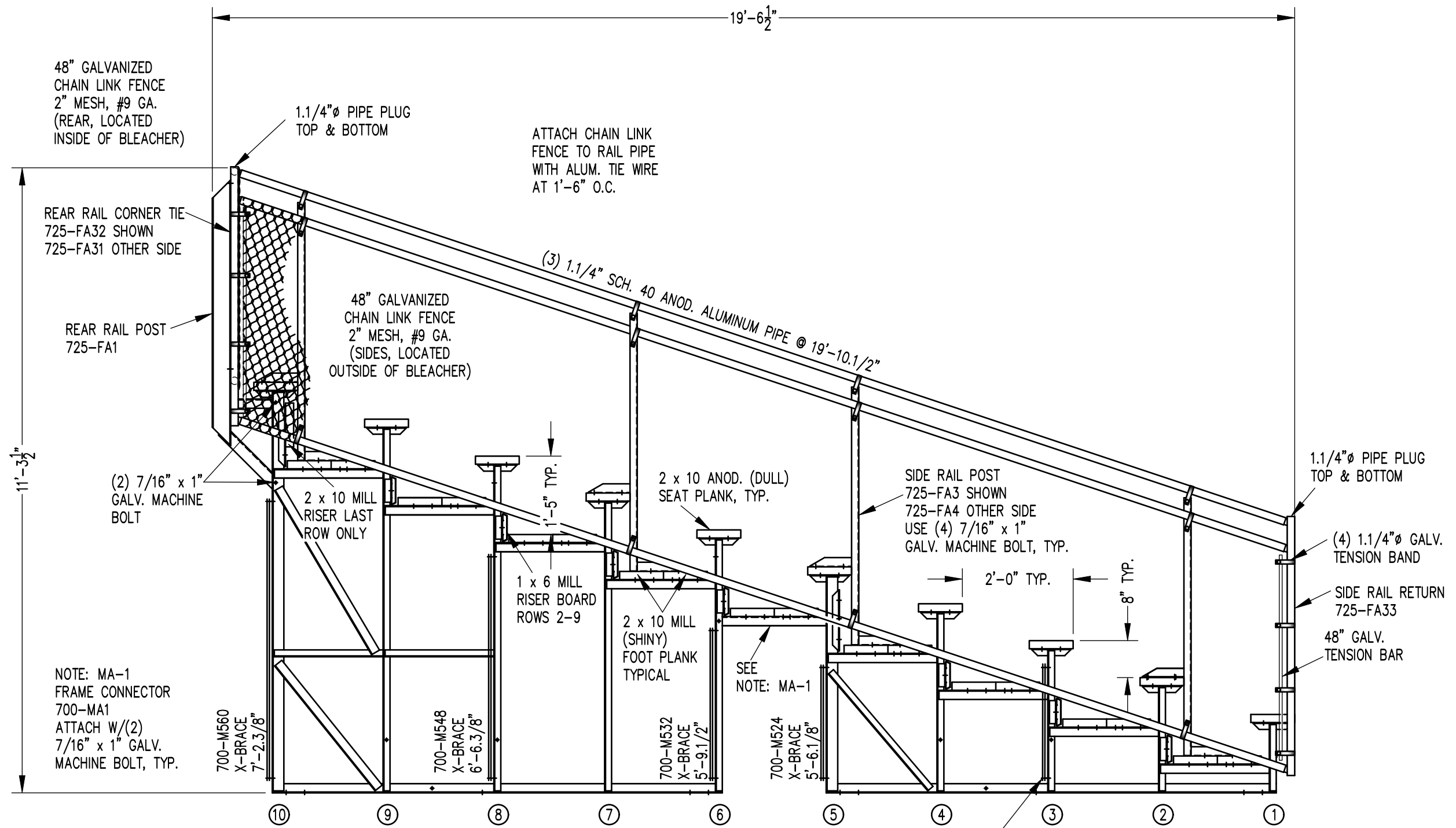


X-BRACE DETAIL

N.T.S.

- 7/16" X 1" GALV. MACH. BOLT
- △ 7/16" X 1.1/2" GALV. MACH. BOLT

		P.O. BOX 118 GENEVA, ALABAMA 36340 334-684-2296			
		SCALE AS NOTED	REVISIONS	BY	DATE
DATE	11/29/06	UPDATED TO 700 SERIES STANDARDS		GDK	02/13
DR'N	WRB	CKD			
AP'VD					
TITLE				NO.	
SGA 10-15 SEAT/FRAME PLAN W/ AISLE				584-2103	



48" GALVANIZED
CHAIN LINK FENCE
2" MESH, #9 GA.
(REAR, LOCATED
INSIDE OF BLEACHER)

1.1/4" ϕ PIPE PLUG
TOP & BOTTOM

ATTACH CHAIN LINK
FENCE TO RAIL PIPE
WITH ALUM. TIE WIRE
AT 1'-6" O.C.

REAR RAIL CORNER TIE
725-FA32 SHOWN
725-FA31 OTHER SIDE

REAR RAIL POST
725-FA1

48" GALVANIZED
CHAIN LINK FENCE
2" MESH, #9 GA.
(SIDES, LOCATED
OUTSIDE OF BLEACHER)

(3) 1.1/4" SCH. 40 ANOD. ALUMINUM PIPE @ 19'-10.1/2"

11'-3 1/2"

(2) 7/16" x 1"
GALV. MACHINE
BOLT

2 x 10 MILL
RISER LAST
ROW ONLY

2 x 10 ANOD. (DULL)
SEAT PLANK, TYP.

SIDE RAIL POST
725-FA3 SHOWN
725-FA4 OTHER SIDE
USE (4) 7/16" x 1"
GALV. MACHINE BOLT, TYP.

1.1/4" ϕ PIPE PLUG
TOP & BOTTOM

(4) 1.1/4" ϕ GALV.
TENSION BAND

SIDE RAIL RETURN
725-FA33

48" GALV.
TENSION BAR

NOTE: MA-1
FRAME CONNECTOR
700-MA1
ATTACH W/(2)
7/16" x 1" GALV.
MACHINE BOLT, TYP.

700-M560
X-BRACE
7'-2.3/8"

700-M548
X-BRACE
6'-6.3/8"

700-M532
X-BRACE
5'-9.1/2"

700-M524
X-BRACE
5'-6.1/8"

600-M524
X-BRACE
5'-6.1/8"

10

9

8

7

6

5

4

3

2

1

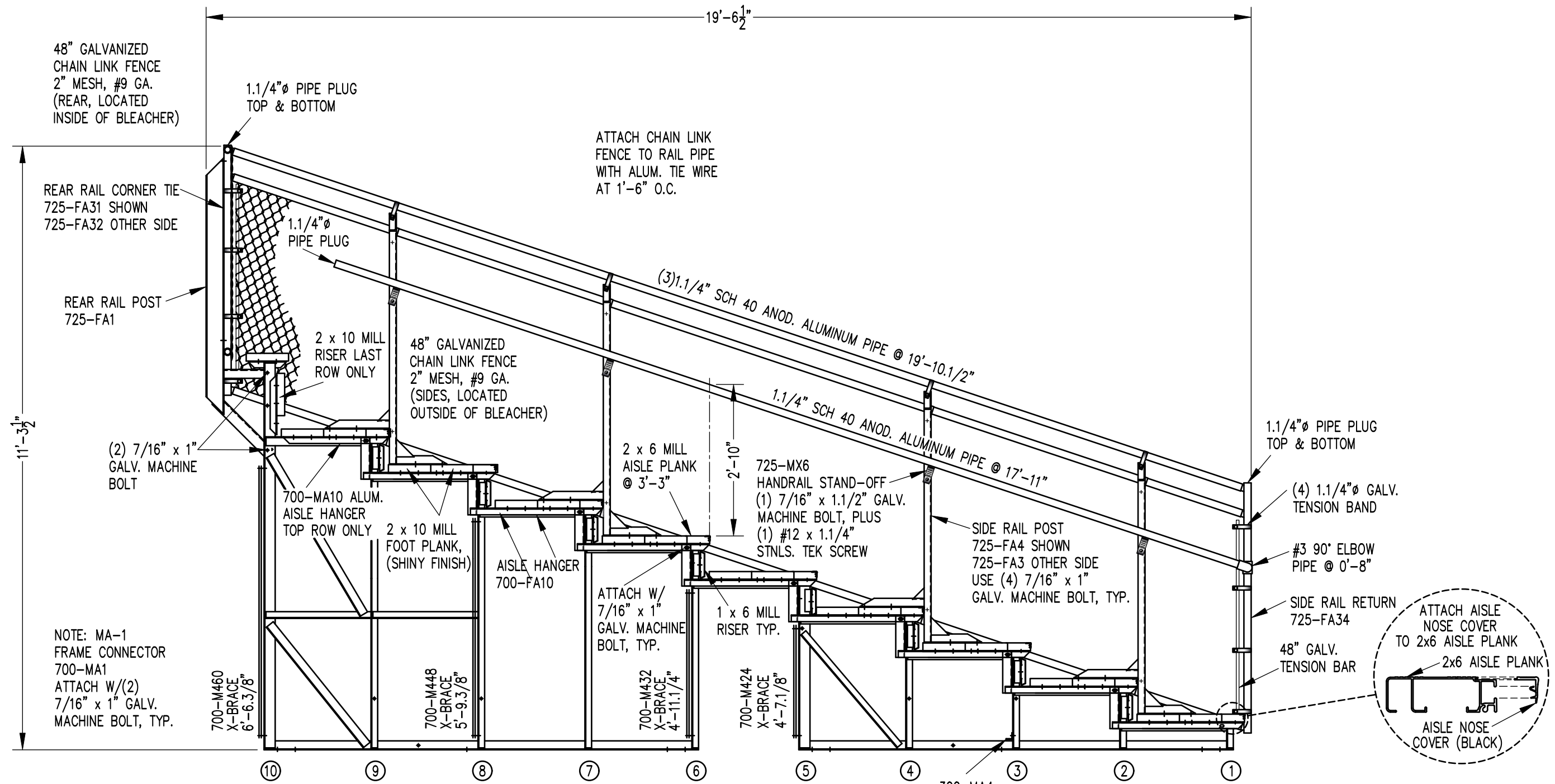
VIEW AA
1/2" = 1'-0"



**Outdoor
Aluminum**

P.O. BOX 118
GENEVA, ALABAMA 36340
334-684-2296

SCALE	AS NOTED	REVISIONS	BY	DATE
DATE	11/29/06	UPDATED TO 700 SERIES STANDARDS	GDK	2/18/13
DR'N	WRB	CKD		
AP'VD				
TITLE	SGA 10 ROW VIEW DOUBLE FOOTBOARDS			NO. 584-E2125



48" GALVANIZED
CHAIN LINK FENCE
2" MESH, #9 GA.
(REAR, LOCATED
INSIDE OF BLEACHER)

REAR RAIL CORNER TIE
725-FA31 SHOWN
725-FA32 OTHER SIDE

REAR RAIL POST
725-FA1

(2) 7/16" x 1"
GALV. MACHINE
BOLT

1.1/4"Ø PIPE PLUG
TOP & BOTTOM

1.1/4"Ø
PIPE PLUG

2 x 10 MILL
RISER LAST
ROW ONLY

48" GALVANIZED
CHAIN LINK FENCE
2" MESH, #9 GA.
(SIDES, LOCATED
OUTSIDE OF BLEACHER)

700-MA10 ALUM.
AISLE HANGER
TOP ROW ONLY

2 x 10 MILL
FOOT PLANK,
(SHINY FINISH)

AISLE HANGER
700-FA10

ATTACH W/
7/16" x 1"
GALV. MACHINE
BOLT, TYP.

1 x 6 MILL
RISER TYP.

700-M424
X-BRACE
4'-7.1/8"

2 x 6 MILL
AISLE PLANK
@ 3'-3"

725-MX6
HANDRAIL STAND-OFF
(1) 7/16" x 1.1/2" GALV.
MACHINE BOLT, PLUS
(1) #12 x 1.1/4"
STNLS. TEK SCREW

SIDE RAIL POST
725-FA4 SHOWN
725-FA3 OTHER SIDE
USE (4) 7/16" x 1"
GALV. MACHINE BOLT, TYP.

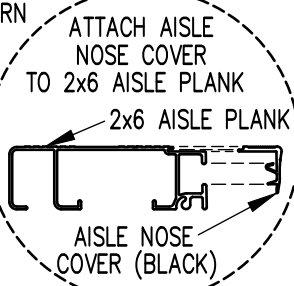
1.1/4"Ø PIPE PLUG
TOP & BOTTOM

(4) 1.1/4"Ø GALV.
TENSION BAND

#3 90° ELBOW
PIPE @ 0'-8"

SIDE RAIL RETURN
725-FA34

48" GALV.
TENSION BAR



NOTE: MA-1
FRAME CONNECTOR
700-MA1
ATTACH W/(2)
7/16" x 1" GALV.
MACHINE BOLT, TYP.

700-M460
X-BRACE
6'-6.3/8"

700-M448
X-BRACE
5'-9.3/8"

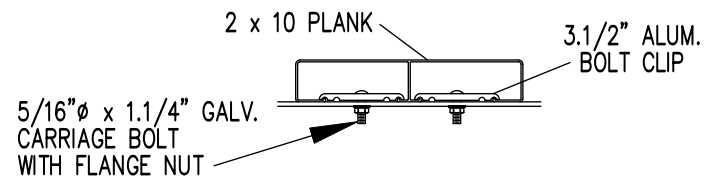
700-M432
X-BRACE
4'-11.1/4"

NOTE: ALL AISLE HANGERS - TWO PER
LOCATION REQUIRED, TYPICAL

SECTION BB

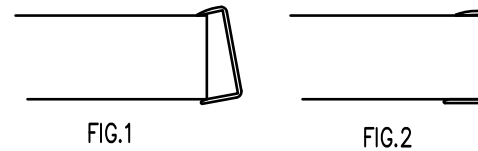
1/2" = 1'-0"

		P.O. BOX 118 GENEVA, ALABAMA 36340 334-684-2296			
		SCALE	AS NOTED	REVISIONS	BY
DATE	11/29/06	UPDATED TO 700 SERIES STANDARDS	GDK	2/18/13	
DR'N	WRB	CKD			
AP'VD					
TITLE				NO.	
SGA 10 ROW END AISLE SECTION				584-E2126	



BOLT CLIP DETAIL

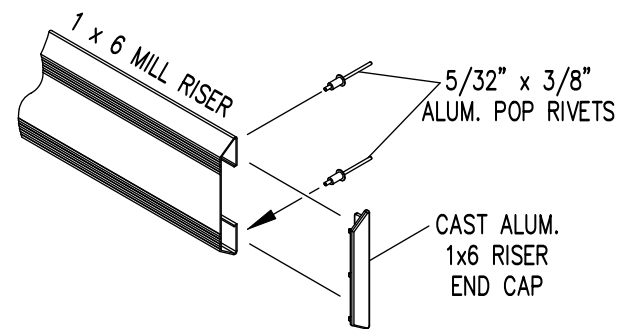
1.1/2" = 1'-0"



- 1) LOCATE THE CHANNEL END CAP AS SHOWN IN FIG. 1.
- 2) TAP END CAP INTO PLACE WITH RUBBER Mallet OR SOFT WOOD. FIG.2
- 3) DRILL 5/32" HOLES THROUGH THE BOTTOM FLANGE AND THE BOTTOM OUTSIDE PLANK FLANGES OF EACH PLANK. INSTALL 5/32" POP RIVETS.

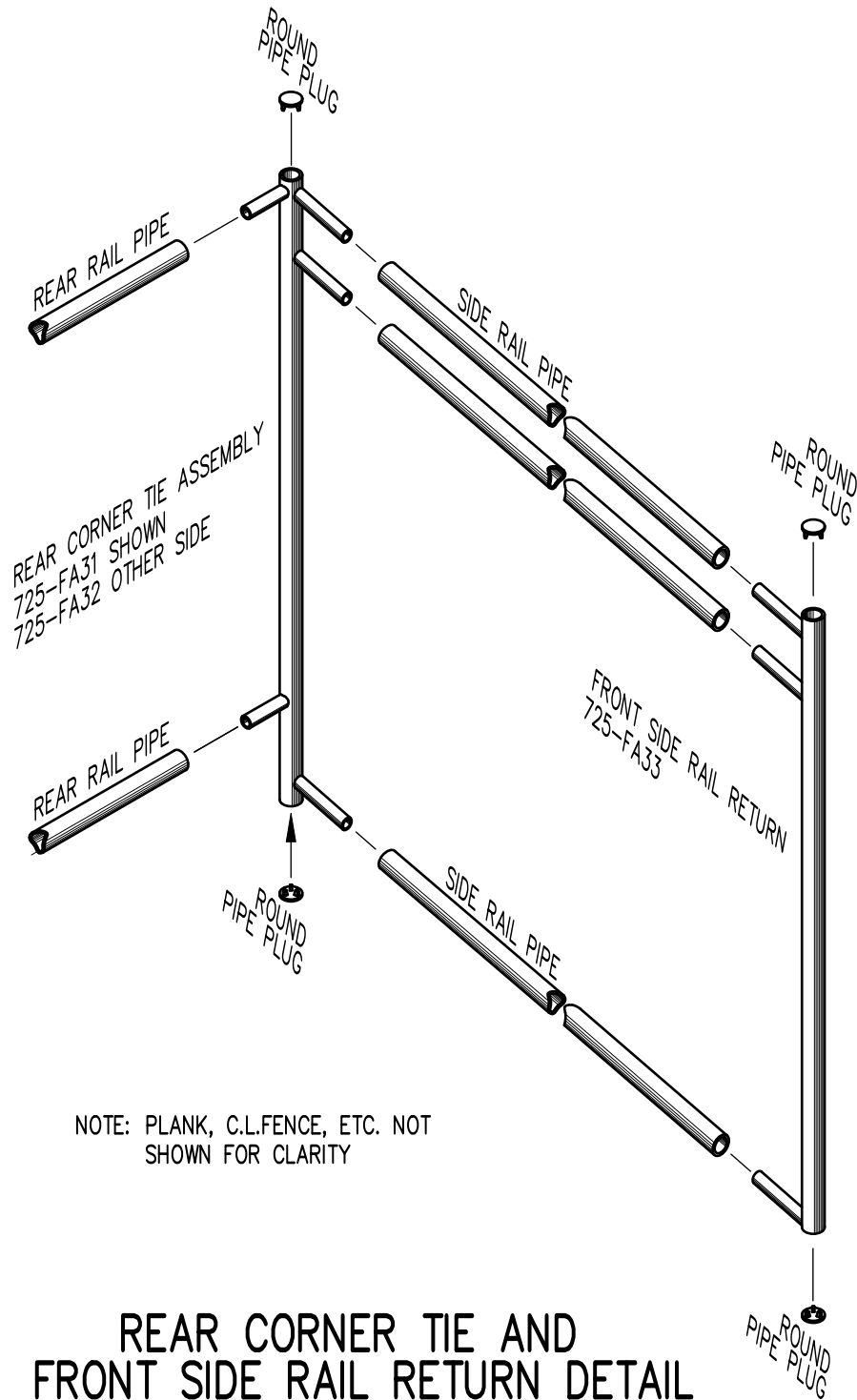
END CAP DETAIL

N.T.S.



1 x 6 RISER END CAP

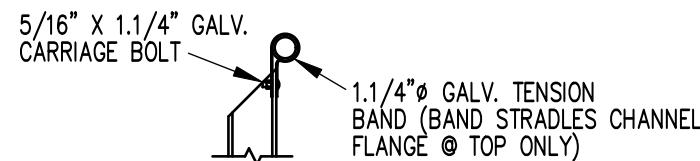
N.T.S.



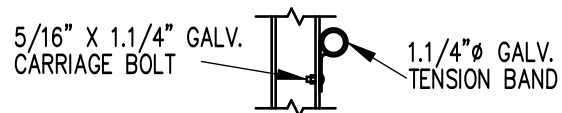
NOTE: PLANK, C.L.FENCE, ETC. NOT SHOWN FOR CLARITY

REAR CORNER TIE AND FRONT SIDE RAIL RETURN DETAIL

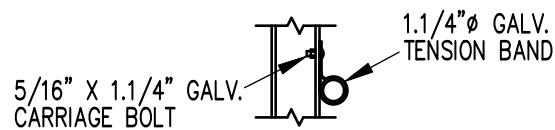
3/4" = 1'-0"



TOP RAIL

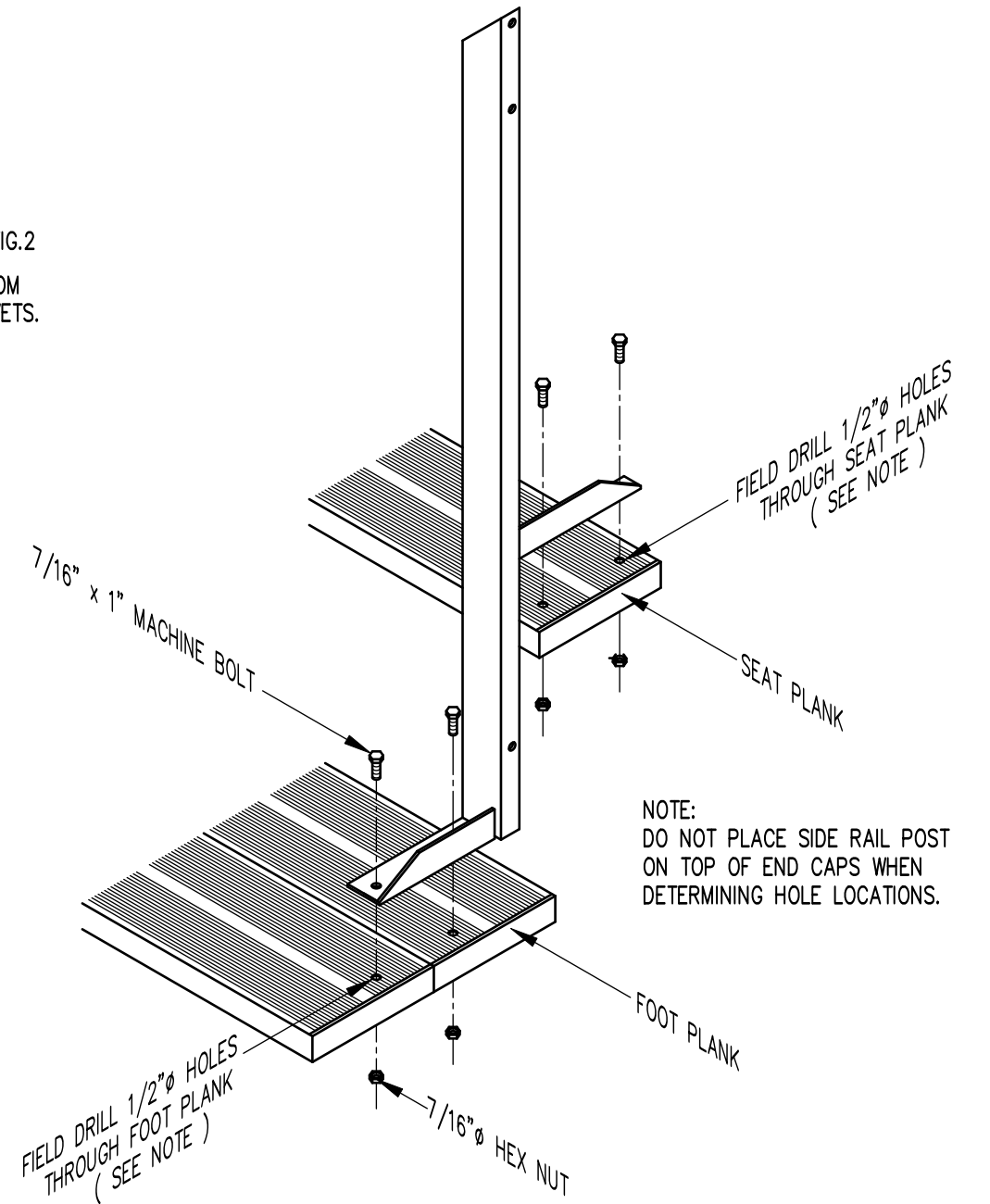


MID RAIL



LOWER RAIL

3/4" = 1'-0"



NOTE: DO NOT PLACE SIDE RAIL POST ON TOP OF END CAPS WHEN DETERMINING HOLE LOCATIONS.

TYP. SIDE RAIL POST ATTACHMENT

1" = 1'-0"

		Outdoor Aluminum P.O. BOX 118 GENEVA, ALABAMA 36340 334-684-2296			
				SCALE	AS NOTED
DATE	11/2/00	SIDE GUARDRAIL TO OUTSIDE		WHW	03/02
DR'N	SS CKD	UPDATED TO 700 SERIES STANDARDS		GDK	12/13
AP'VD		ADJUSTED FOR FLANGE NUTS		GDK	5/24
TITLE				NO.	
TYPICAL DETAILS				584-E1990	