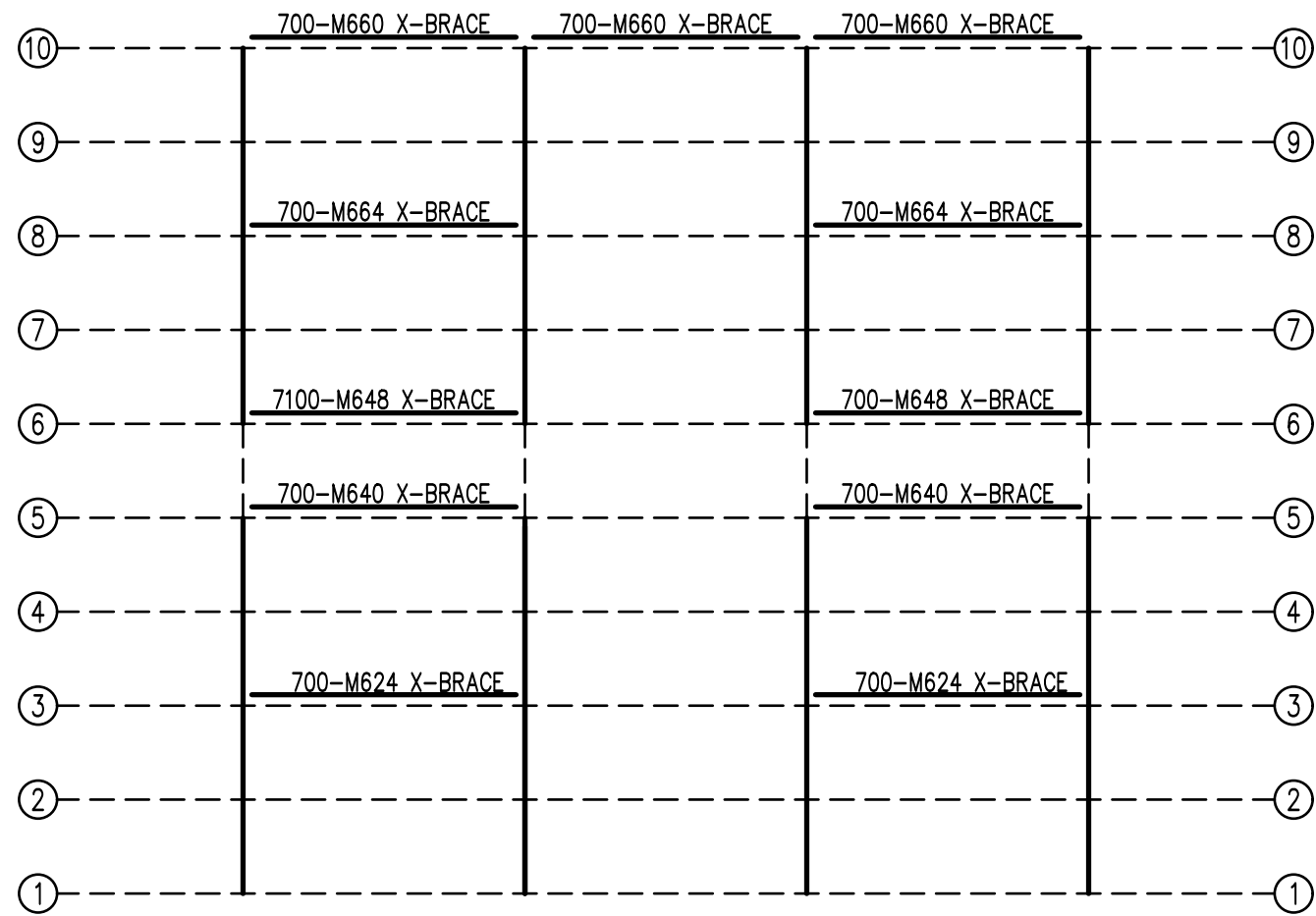


**SEATING PLAN**

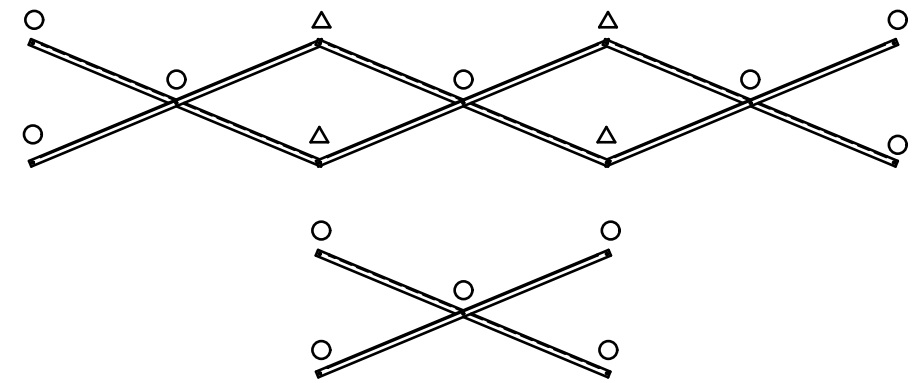
1/4" = 1'-0"  
 104 NET SEAT @ 18" PER SEAT

		P.O. BOX 118 GENEVA, ALABAMA 36340 334-684-2296					
		SCALE	1/4" = 1'-0"	REVISIONS		BY	DATE
DATE	12/13/00	SIDE GUARDRAIL TO OUTSIDE		WHW	03/02		
DR'N	SS	CKD	UPDATED TO 700 SERIES STANDARDS	GDK	02/13		
AP'VD							
TITLE						NO.	
SGA 10-21 SEATING PLAN W/AISLE						584-E2108	



**FRAMING PLAN**


1/4" = 1'-0"

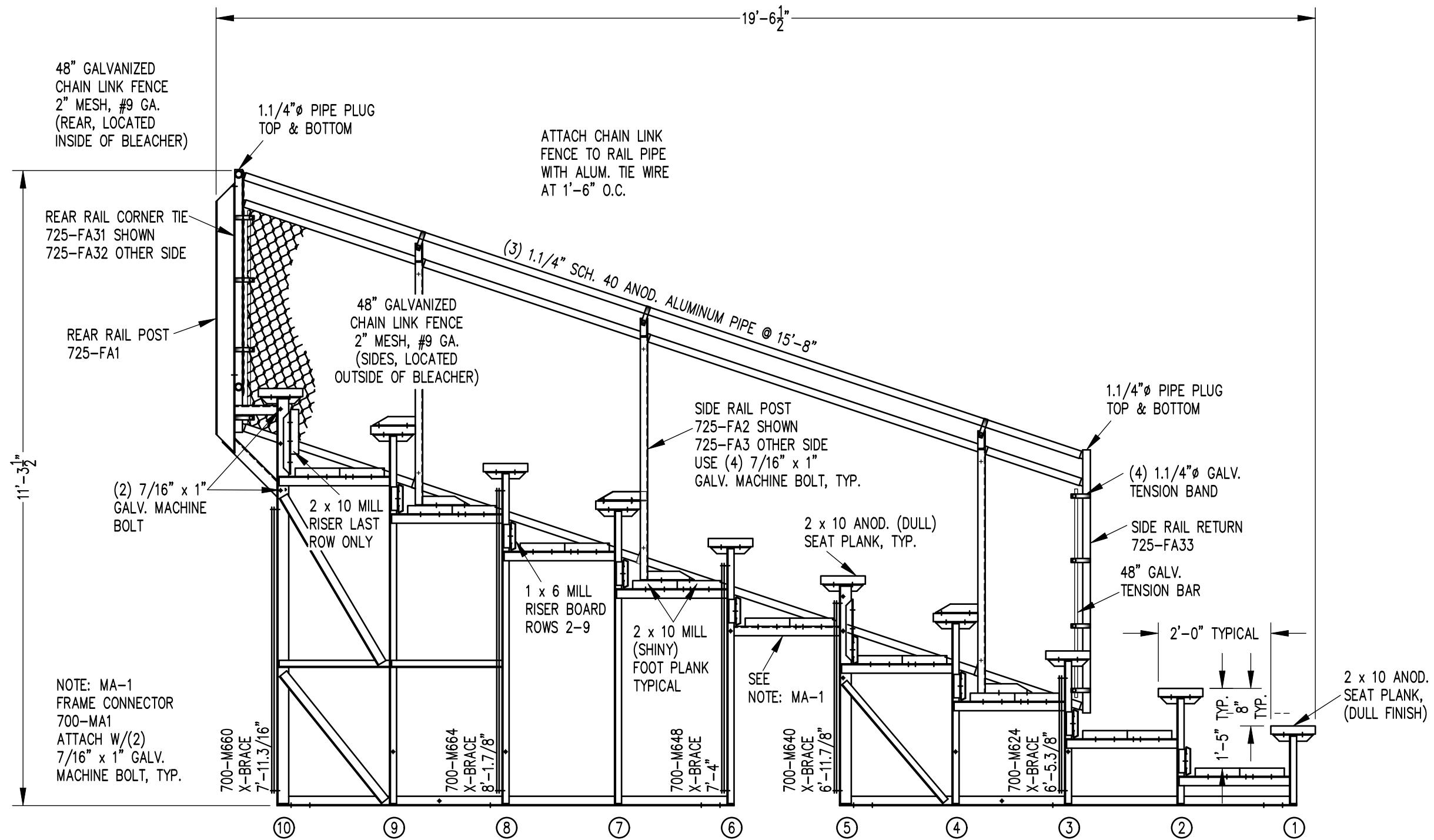


**X-BRACE DETAIL**

N.T.S.

- 7/16" X 1" GALV. MACH. BOLT
- △ 7/16" X 1.1/2" GALV. MACH. BOLT

		P.O. BOX 118 GENEVA, ALABAMA 36340 334-684-2296		
		<b>Outdoor Aluminum</b>		
SCALE	AS NOTED	REVISIONS	BY	DATE
DATE	11/29/00	UPDATED TO 700 SERIES STANDARDS	GDK	02/13
DR'N	SS	CKD		
AP'VD				
TITLE			NO.	
SGA 10-21 FRAMING PLAN W/AISLE			584-E2148	



48" GALVANIZED  
CHAIN LINK FENCE  
2" MESH, #9 GA.  
(REAR, LOCATED  
INSIDE OF BLEACHER)

1.1/4"Ø PIPE PLUG  
TOP & BOTTOM

ATTACH CHAIN LINK  
FENCE TO RAIL PIPE  
WITH ALUM. TIE WIRE  
AT 1'-6" O.C.

REAR RAIL CORNER TIE  
725-FA31 SHOWN  
725-FA32 OTHER SIDE

REAR RAIL POST  
725-FA1

48" GALVANIZED  
CHAIN LINK FENCE  
2" MESH, #9 GA.  
(SIDES, LOCATED  
OUTSIDE OF BLEACHER)

(3) 1.1/4" SCH. 40 ANOD. ALUMINUM PIPE @ 15'-8"

SIDE RAIL POST  
725-FA2 SHOWN  
725-FA3 OTHER SIDE  
USE (4) 7/16" x 1"  
GALV. MACHINE BOLT, TYP.

1.1/4"Ø PIPE PLUG  
TOP & BOTTOM

(4) 1.1/4"Ø GALV.  
TENSION BAND

11'-3 1/2"

(2) 7/16" x 1"  
GALV. MACHINE  
BOLT

2 x 10 MILL  
RISER LAST  
ROW ONLY

2 x 10 ANOD. (DULL)  
SEAT PLANK, TYP.

SIDE RAIL RETURN  
725-FA33

48" GALV.  
TENSION BAR

1 x 6 MILL  
RISER BOARD  
ROWS 2-9

2 x 10 MILL  
(SHINY)  
FOOT PLANK  
TYPICAL

SEE  
NOTE: MA-1

2'-0" TYPICAL

2 x 10 ANOD.  
SEAT PLANK,  
(DULL FINISH)

NOTE: MA-1  
FRAME CONNECTOR  
700-MA1  
ATTACH W/(2)  
7/16" x 1" GALV.  
MACHINE BOLT, TYP.

700-M660  
X-BRACE  
7'-11.3/16"

700-M664  
X-BRACE  
8'-1.7/8"

700-M648  
X-BRACE  
7'-4"

700-M640  
X-BRACE  
6'-11.7/8"

700-M624  
X-BRACE  
6'-5.3/8"

1'-5" TYP.  
8" TYP.

10

9

8

7

6

5

4

3

2

1

SECTION AA

1/2" = 1'-0"



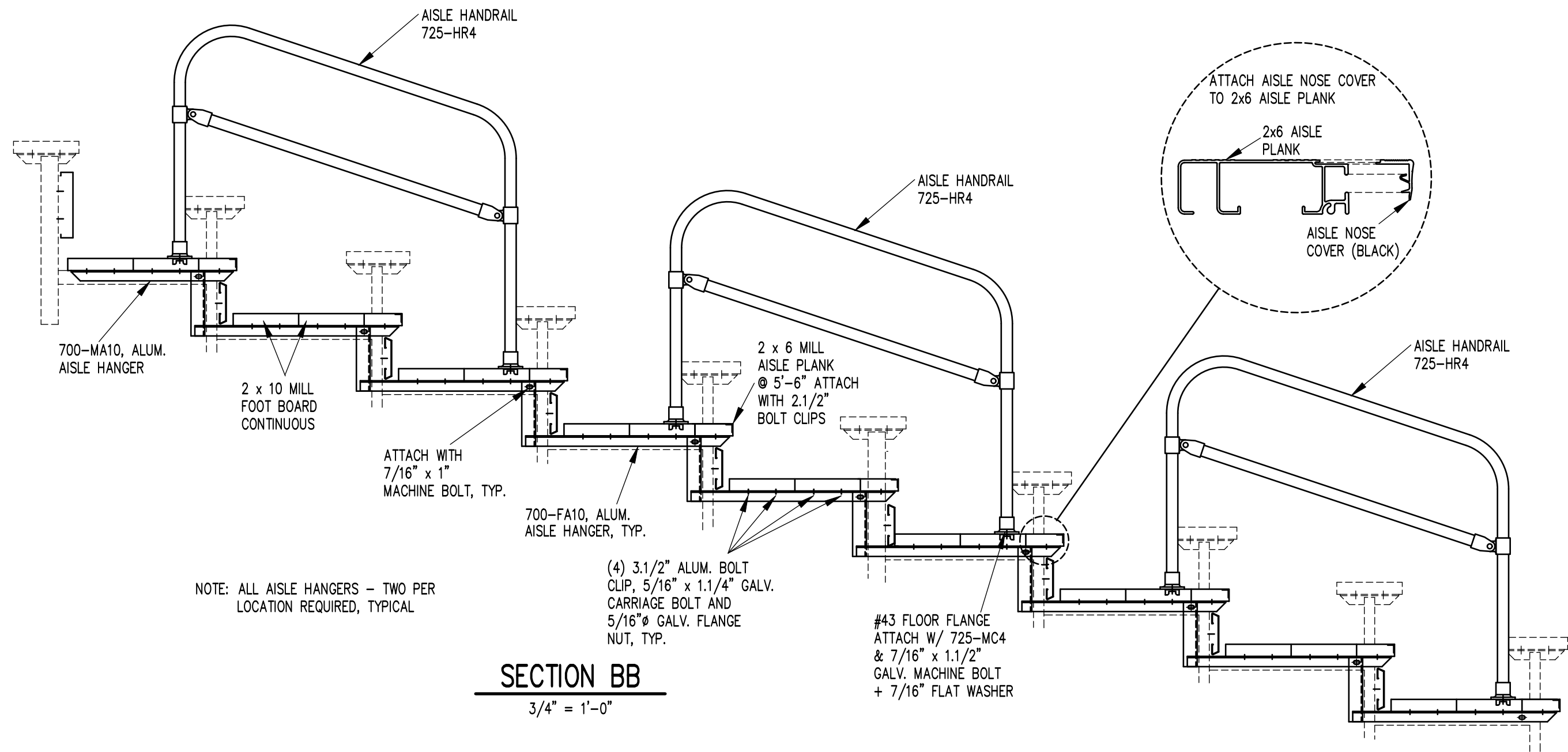
Outdoor  
Aluminum

P.O. BOX 118  
GENEVA, ALABAMA 36340  
334-684-2296

SCALE	REVISIONS	BY	DATE
1/2"=1'-0"			
DATE	X-BRACE FROM BLUE TO DARK BLUE	CHM	03/97
DR'N	SIDE GUARDRAIL TO OUTSIDE	WHW	03/02
AP'VD	FOOTBOARD SUPPORT,FA17R2,FA22R1,MA-8	RS	09/06

REVISIONS	BY	DATE
UPDATED TO 700 SERIES STANDARDS	GDK	2/18/13


TITLE	NO.
SG 10 ROW SECTION DOUBLE FOOTBOARD	584-E2123

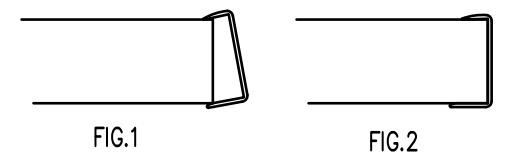
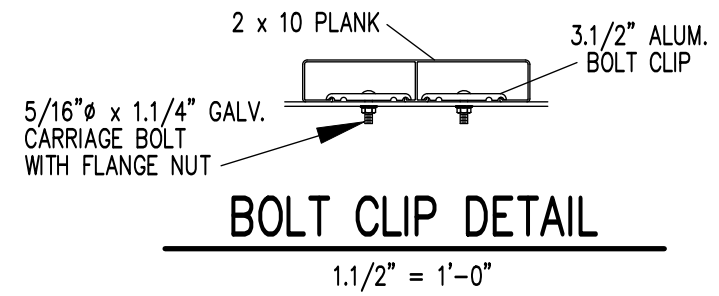


NOTE: ALL AISLE HANGERS - TWO PER LOCATION REQUIRED, TYPICAL

**SECTION BB**

3/4" = 1'-0"

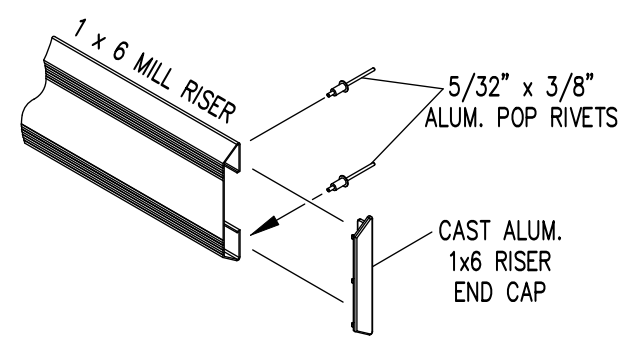
		<b>Outdoor Aluminum</b> P.O. BOX 118 GENEVA, ALABAMA 36340 334-684-2296	
DATE	8/24/99	TITLE	10 ROW AISLE SECTION
DR'N	SS CKD	NO.	584-E1996
AP'VD		REVISIONS	
		BY	WHW
		DATE	03/02
			GDK 02/13
			GDK 05/24



- 1) LOCATE THE CHANNEL END CAP AS SHOWN IN FIG. 1.
- 2) TAP END CAP INTO PLACE WITH RUBBER Mallet OR SOFT WOOD. FIG. 2
- 3) DRILL 5/32" HOLES THROUGH THE BOTTOM FLANGE AND THE BOTTOM OUTSIDE PLANK FLANGES OF EACH PLANK. INSTALL 5/32" POP RIVETS.

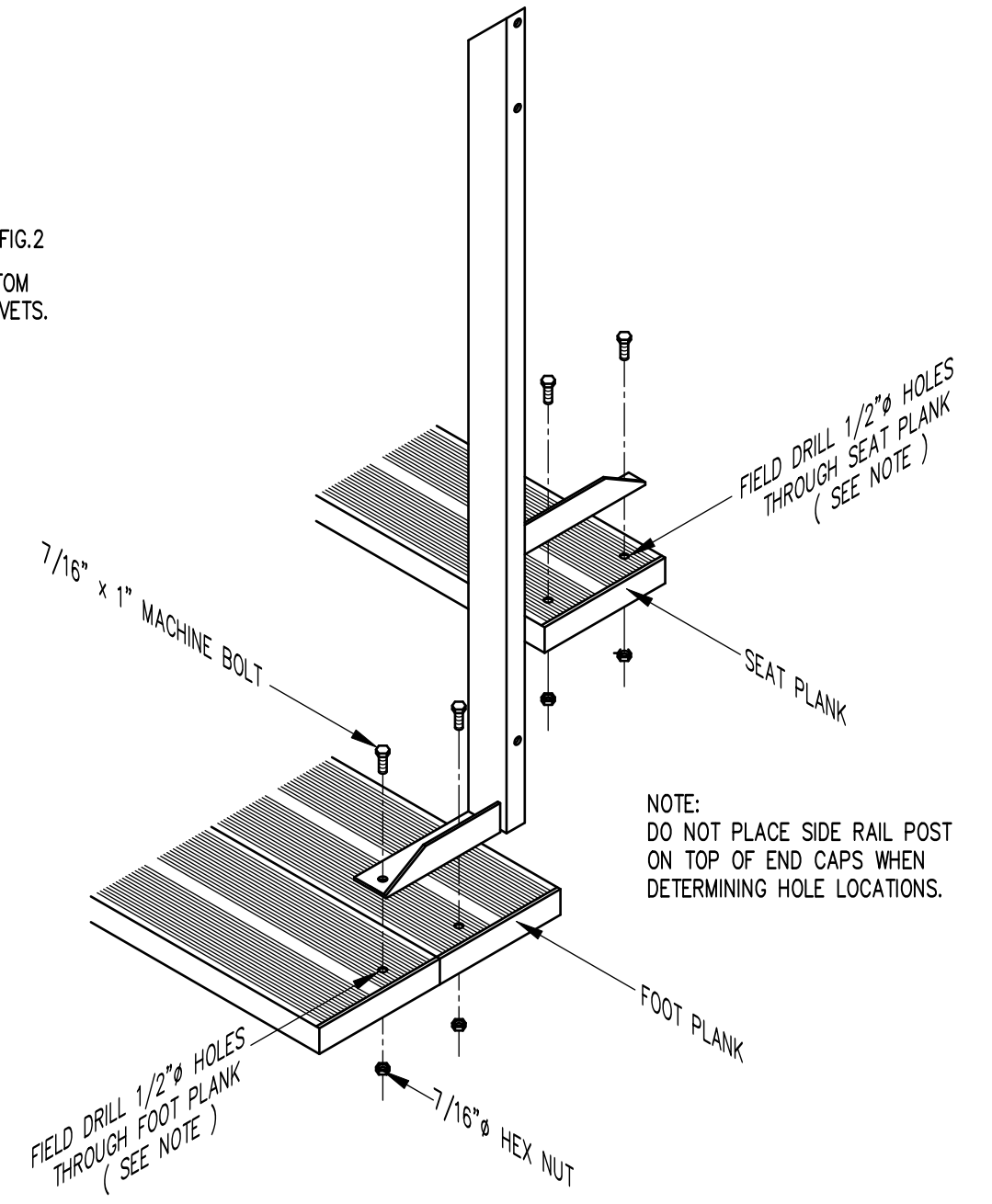
**END CAP DETAIL**

N.T.S.



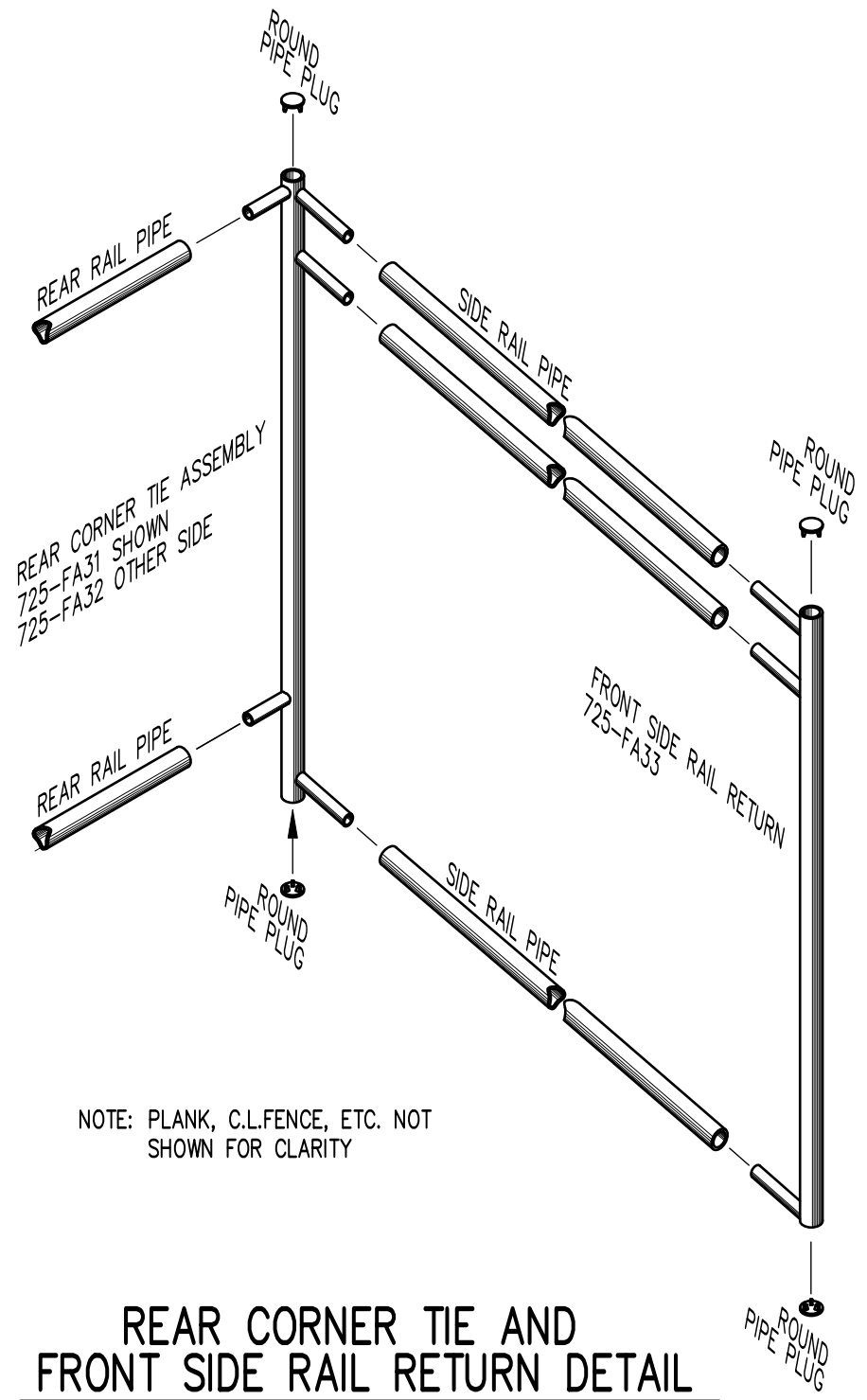
**1 x 6 RISER END CAP**

N.T.S.



**TYP. SIDE RAIL POST ATTACHMENT**

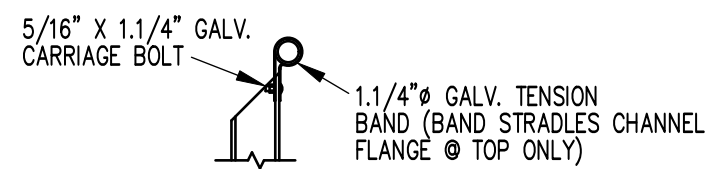
1" = 1'-0"



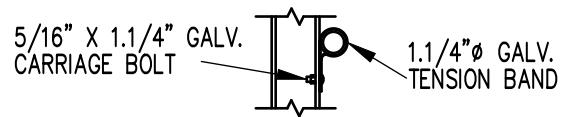
**REAR CORNER TIE AND FRONT SIDE RAIL RETURN DETAIL**

3/4" = 1'-0"

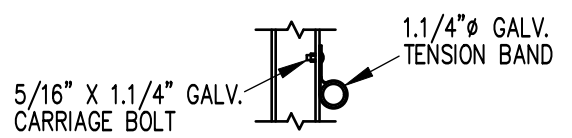
NOTE: PLANK, C.L.FENCE, ETC. NOT SHOWN FOR CLARITY



**TOP RAIL**



**MID RAIL**



**LOWER RAIL**

3/4" = 1'-0"

		P.O. BOX 118 GENEVA, ALABAMA 36340 334-684-2296					
		SCALE	AS NOTED	REVISIONS		BY	DATE
DATE	11/2/00	SIDE GUARDRAIL TO OUTSIDE		WHW	03/02		
DR'N	SS CKD	UPDATED TO 700 SERIES STANDARDS		GDK	12/13		
AP'VD		ADJUSTED FOR FLANGE NUTS		GDK	5/24		
TITLE						NO.	
TYPICAL DETAILS						584-E1990	