
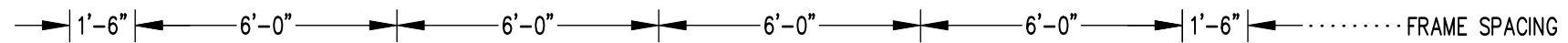
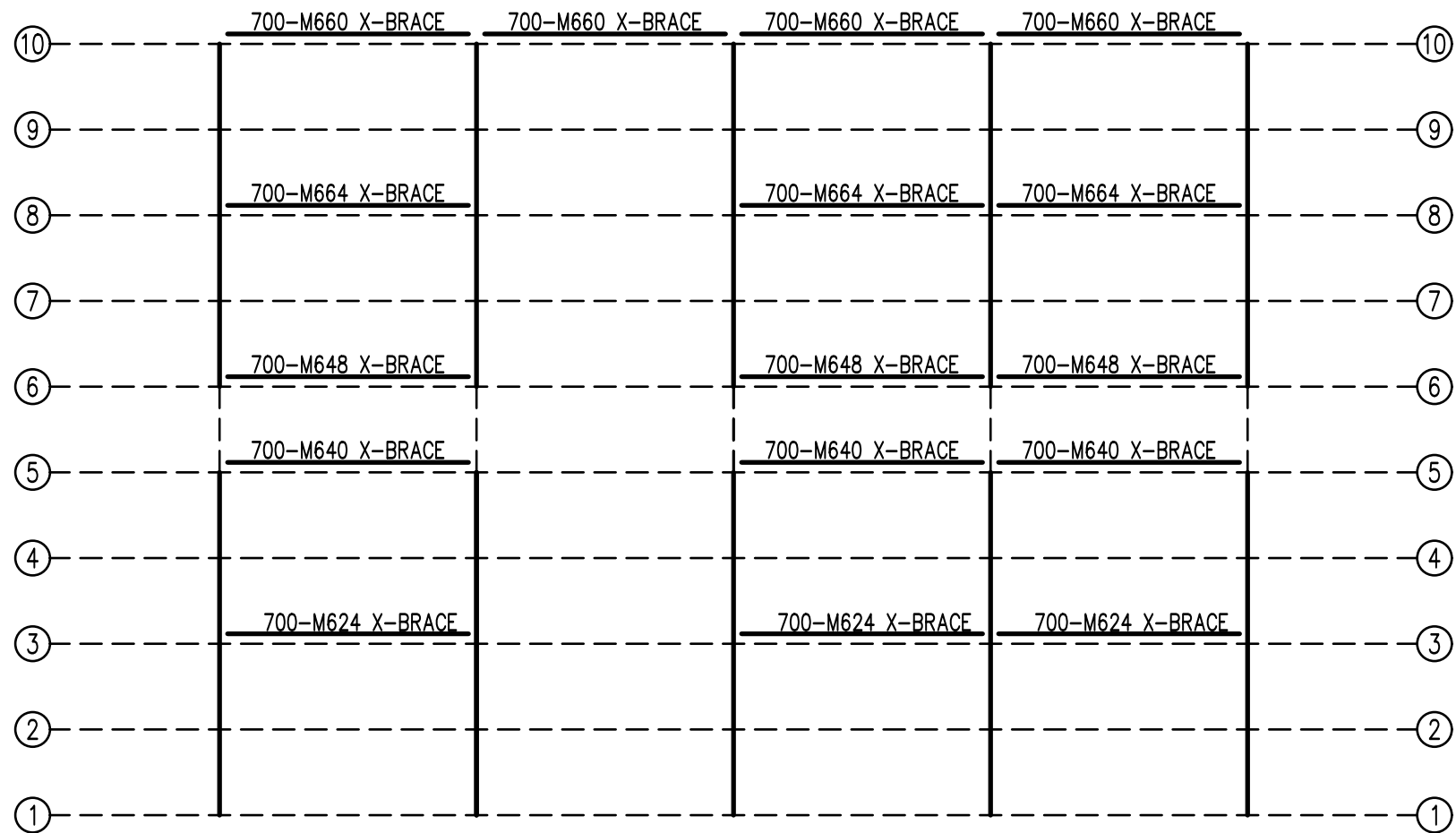


SEATING PLAN

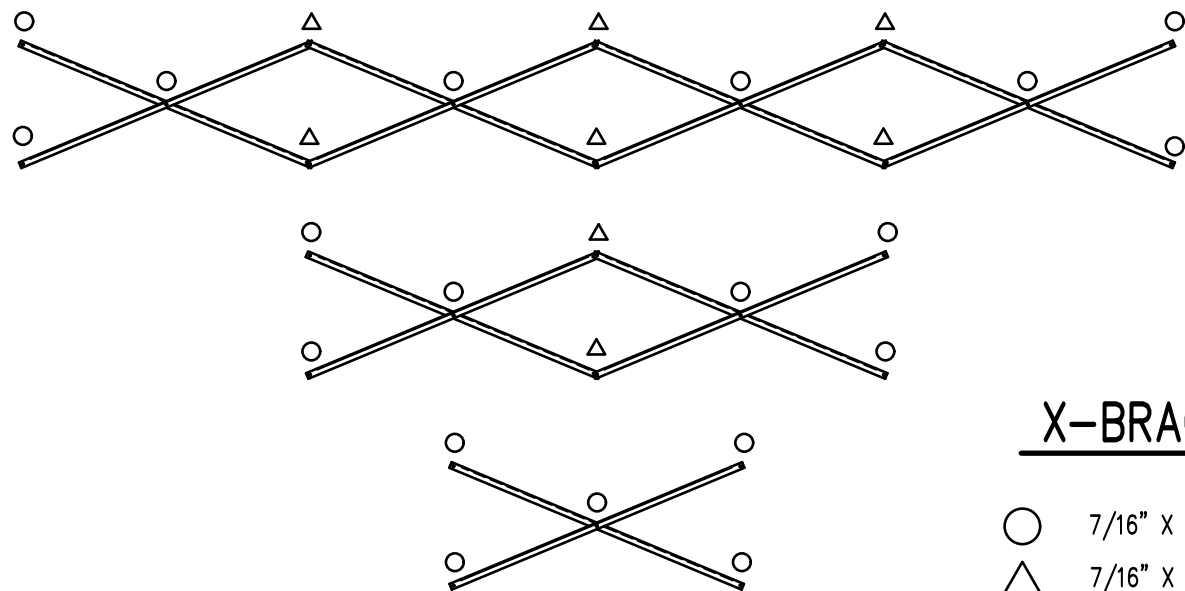
1/4" = 1'-0"
144 NET SEAT @ 18" PER SEAT

		Outdoor Aluminum <small>P.O. BOX 118 GENEVA, ALABAMA 36340 334-684-2296</small>		
				SCALE 1/4"=1'-0"
DATE 12/13/00	SIDE GUARDRAIL TO OUTSIDE		WHW	03/02
DR'N S.S. CKD	UPDATED TO 700 SERIES STANDARDS		GDK	02/13
AP'VD				
TITLE			NO.	
SGA 10-27 SEATING PLAN W/AISLE			584-E2113	



FRAMING PLAN


1/4" = 1'-0"

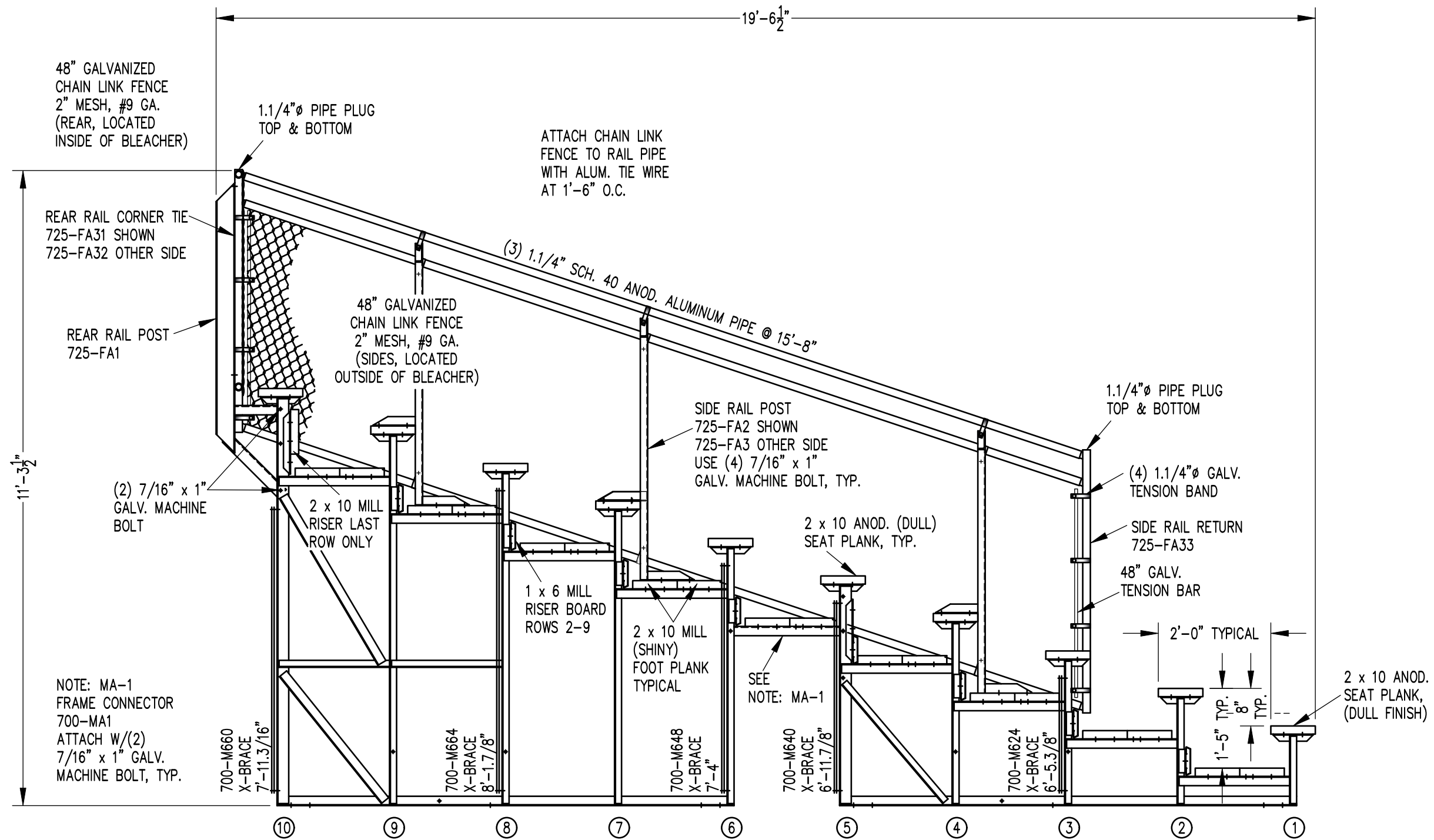


X-BRACE DETAIL

N.T.S.

- 7/16" X 1" GALV. MACH. BOLT
- △ 7/16" X 1.1/2" GALV. MACH. BOLT

		Outdoor Aluminum		P.O. BOX 118 GENEVA, ALABAMA 36340 334-684-2296	
		SCALE	AS NOTED	REVISIONS	BY
DATE	11/29/00	UPDATED TO 700 SERIES STANDARDS		GDK	02/13
DR'N	SS	CKD			
AP'VD					
TITLE					NO.
SGA 10-27 FRAMING PLAN W/AISLE					584-E2153



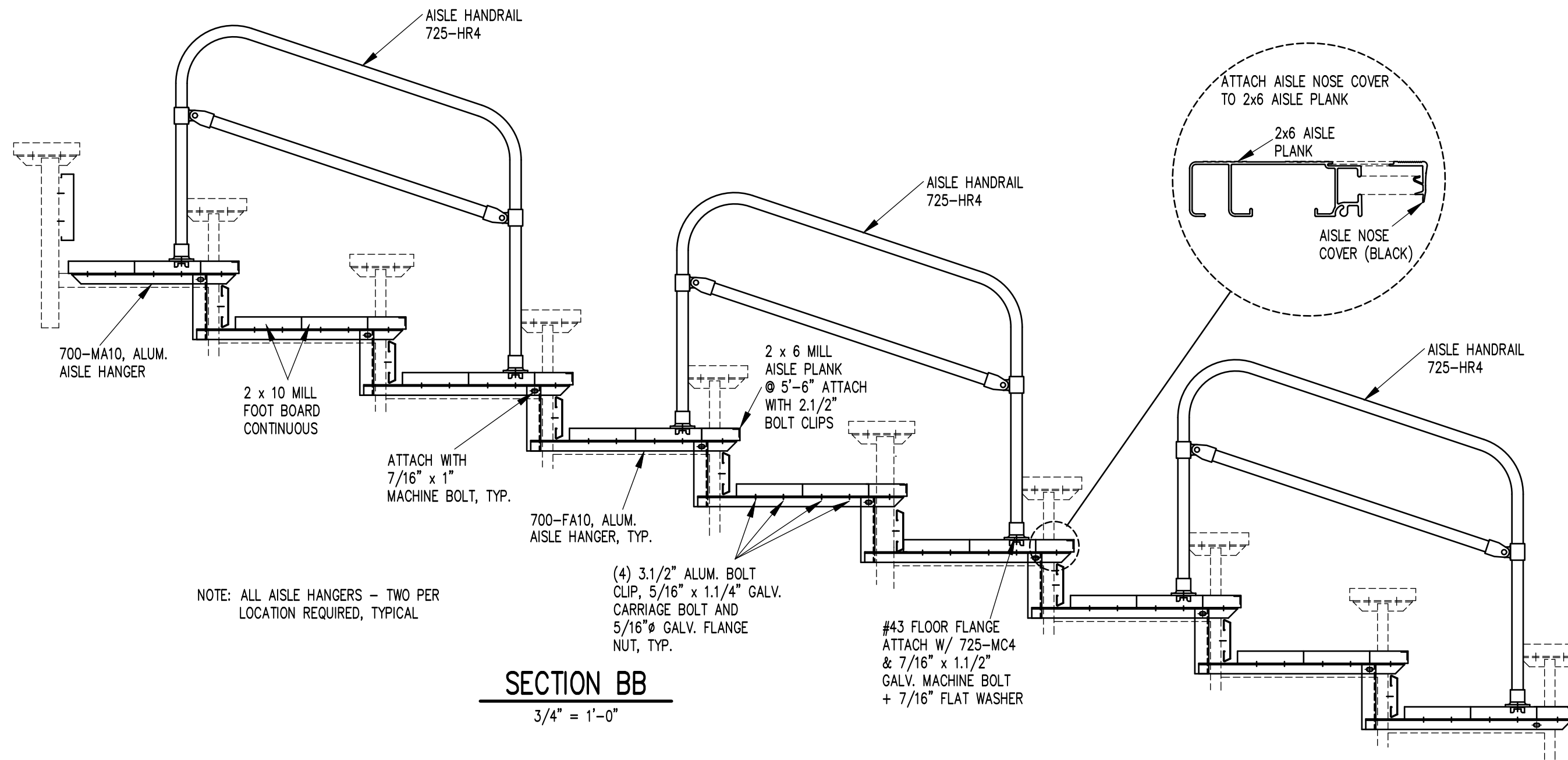
SECTION AA

1/2" = 1'-0"

		P.O. BOX 118 GENEVA, ALABAMA 36340 334-684-2296	
		SCALE	1/2" = 1'-0"
DATE	11/30/00	REVISIONS	
DR'N	SS	CKD	
AP'VD			
TITLE	SG 10 ROW SECTION DOUBLE FOOTBOARD		
NO.	584-E2123		


REVISIONS	BY	DATE
UPDATED TO 700 SERIES STANDARDS	GDK	2/18/13

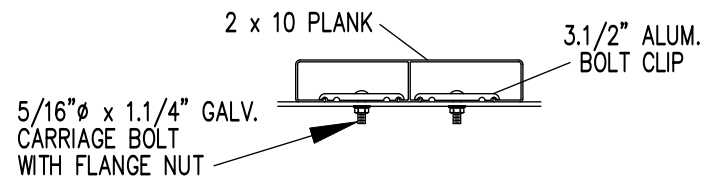
SCALE	REVISIONS	BY	DATE
1/2" = 1'-0"			
DATE	X-BRACE FROM BLUE TO DARK BLUE	CHM	03/97
DR'N	SIDE GUARDRAIL TO OUTSIDE	WHW	03/02
AP'VD	FOOTBOARD SUPPORT, FA17R2, FA22R1, MA-8	RS	09/06



NOTE: ALL AISLE HANGERS - TWO PER LOCATION REQUIRED, TYPICAL

SECTION BB
3/4" = 1'-0"

		Outdoor Aluminum P.O. BOX 118 GENEVA, ALABAMA 36340 334-684-2296	
DATE	8/24/99	TITLE	10 ROW AISLE SECTION
DR'N	SS CKD	NO.	584-E1996
AP'VD			
REVISIONS		BY	DATE
AISLE NOSE COVER		WHW	03/02
UPDATED TO 700 SERIES STANDARDS		GDK	02/13
ADJUSTED FOR FLANGE NUT		GDK	05/24



BOLT CLIP DETAIL

1.1/2" = 1'-0"

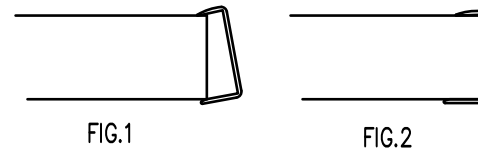


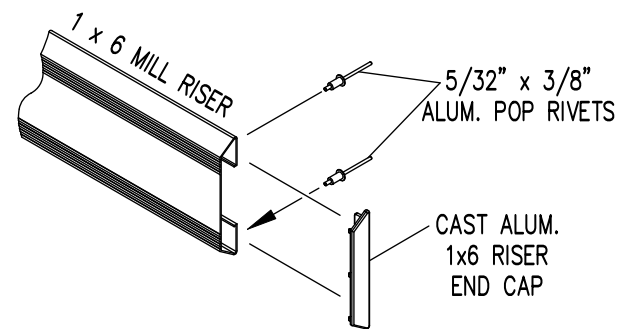
FIG.1

FIG.2

- 1) LOCATE THE CHANNEL END CAP AS SHOWN IN FIG. 1.
- 2) TAP END CAP INTO PLACE WITH RUBBER Mallet OR SOFT WOOD. FIG.2
- 3) DRILL 5/32" HOLES THROUGH THE BOTTOM FLANGE AND THE BOTTOM OUTSIDE PLANK FLANGES OF EACH PLANK. INSTALL 5/32" POP RIVETS.

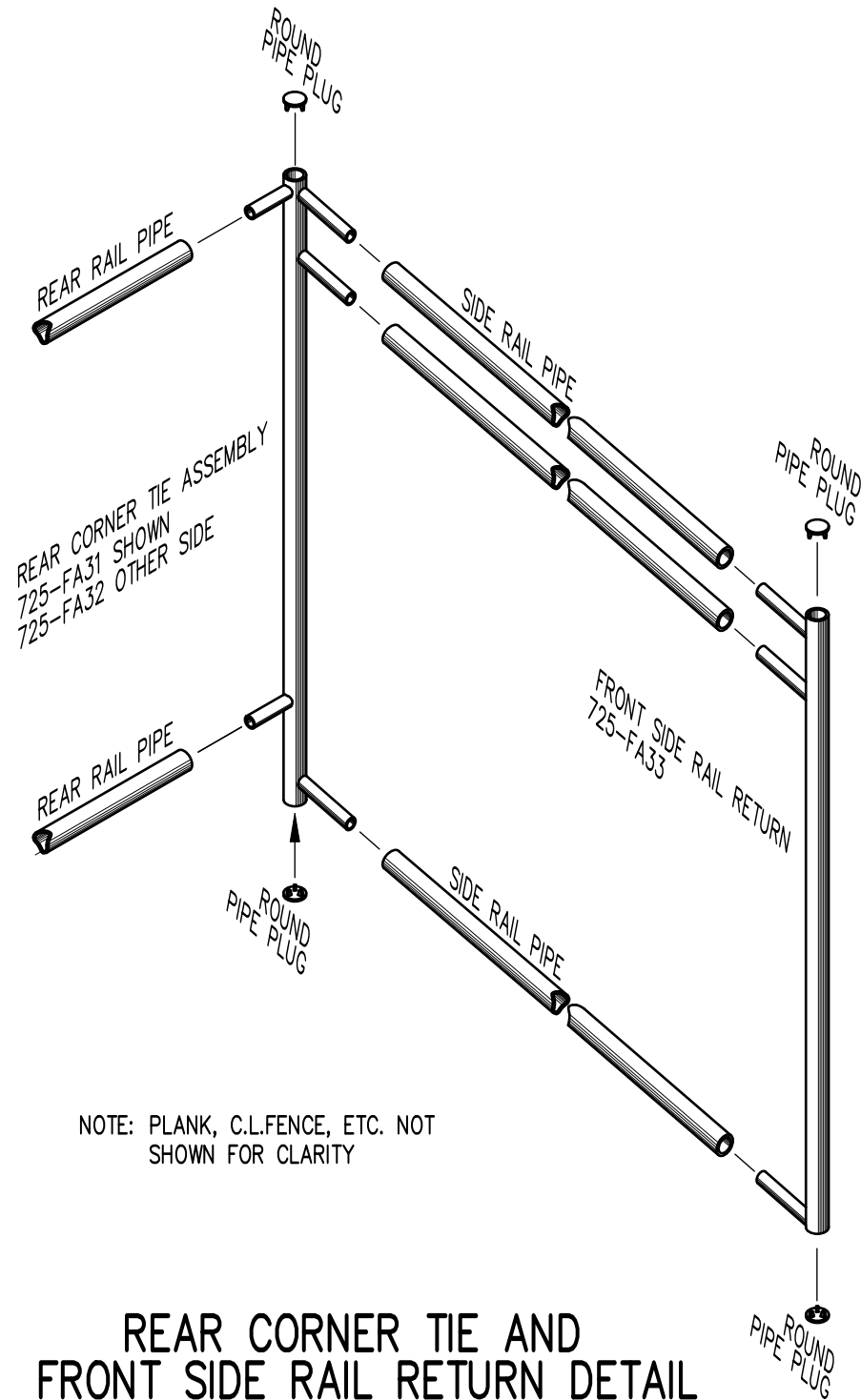
END CAP DETAIL

N.T.S.



1 x 6 RISER END CAP

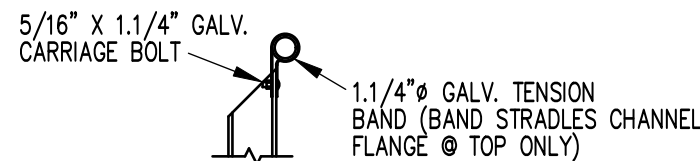
N.T.S.



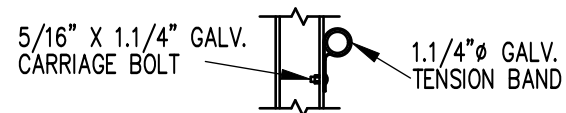
REAR CORNER TIE AND FRONT SIDE RAIL RETURN DETAIL

3/4" = 1'-0"

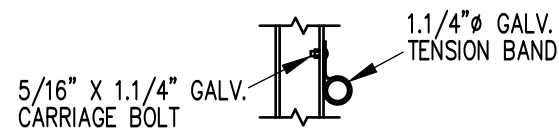
NOTE: PLANK, C.L.FENCE, ETC. NOT SHOWN FOR CLARITY



TOP RAIL

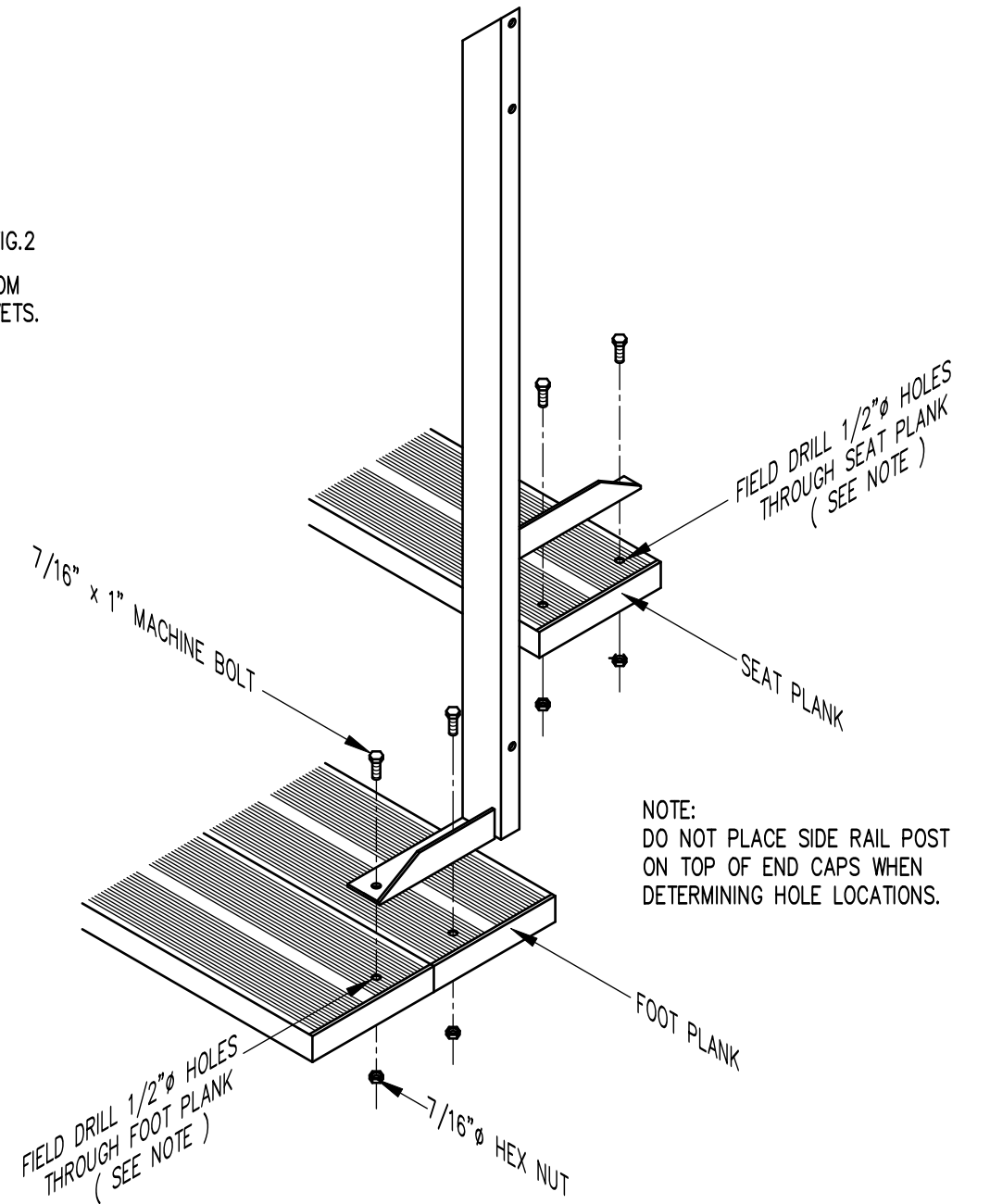


MID RAIL



LOWER RAIL

3/4" = 1'-0"



TYP. SIDE RAIL POST ATTACHMENT

1" = 1'-0"

		Outdoor Aluminum P.O. BOX 118 GENEVA, ALABAMA 36340 334-684-2296			
				SCALE	AS NOTED
DATE	11/2/00	SIDE GUARDRAIL TO OUTSIDE		WHW	03/02
DR'N	SS CKD	UPDATED TO 700 SERIES STANDARDS		GDK	12/13
AP'VD		ADJUSTED FOR FLANGE NUTS		GDK	5/24
TITLE				NO.	
TYPICAL DETAILS				584-E1990	