
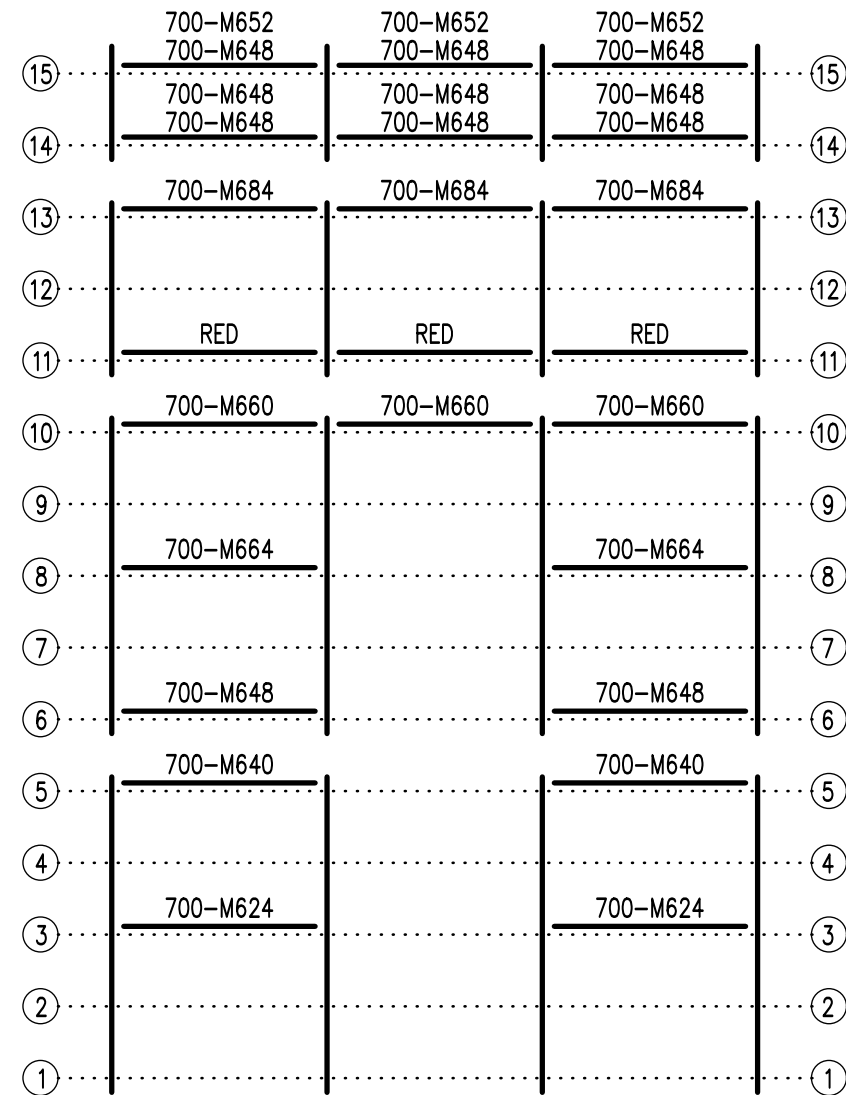
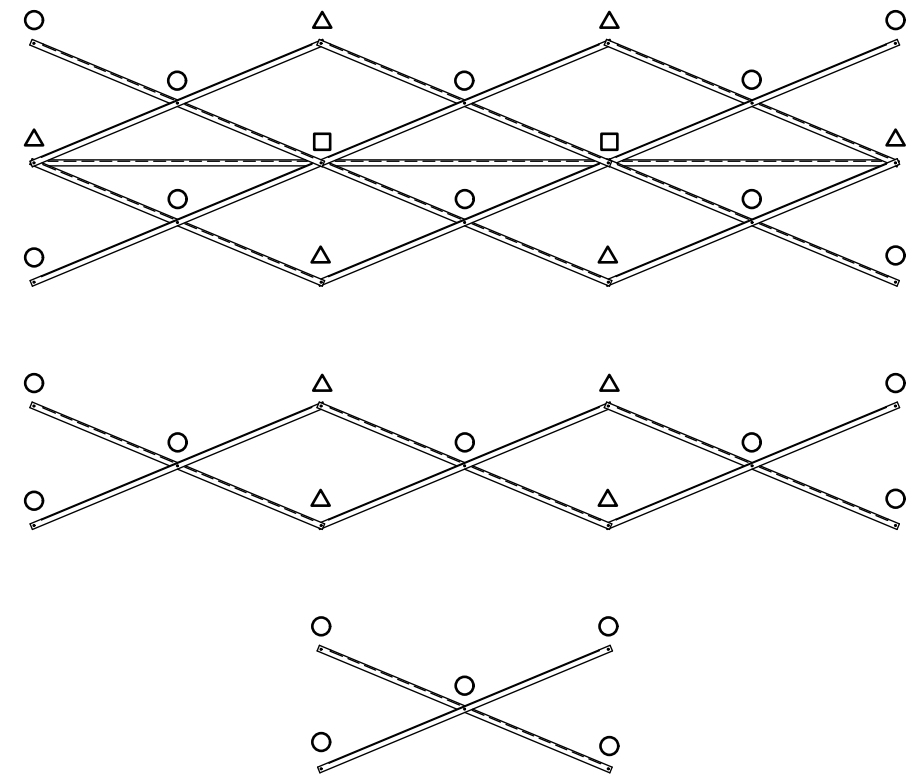


**SEATING PLAN**  
 3/16" = 1'-0"  
 154 NET SEATS @ 18" PER SEAT

		<b>Outdoor Aluminum</b> P.O. BOX 118 GENEVA, ALABAMA 36340 334-684-2296					
				SCALE	REVISIONS	BY	DATE
SCALE	3/16"=1'-0"	REVISIONS		BY	GDK	DATE	02/13
DATE	05/08/09	UPDATED TO 700 SERIES STANDARDS		BY	GDK	DATE	02/13
DR'N	WHW	CKD					
AP'VD							
TITLE						NO.	
SGA 15-21 SEATING PLAN W/AISLE						584-E2278	




**FRAMING PLAN**  
3/16" = 1'-0"

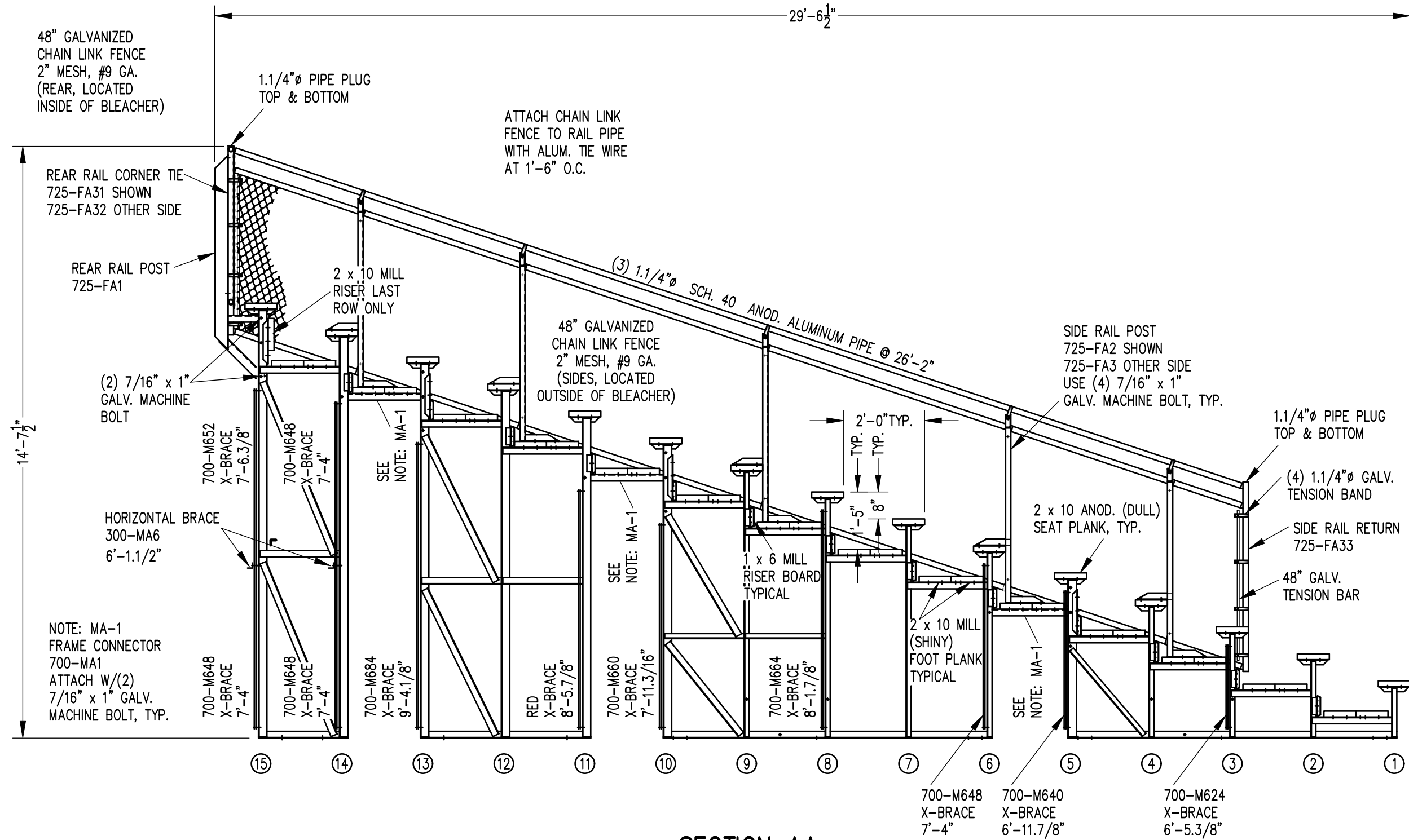


**X-BRACE DETAIL**

N.T.S.


- 7/16" X 1" GALV. MACH. BOLT
- △ 7/16" X 1.1/2" GALV. MACH. BOLT
- 7/16" X 3" GALV. MACH. BOLT

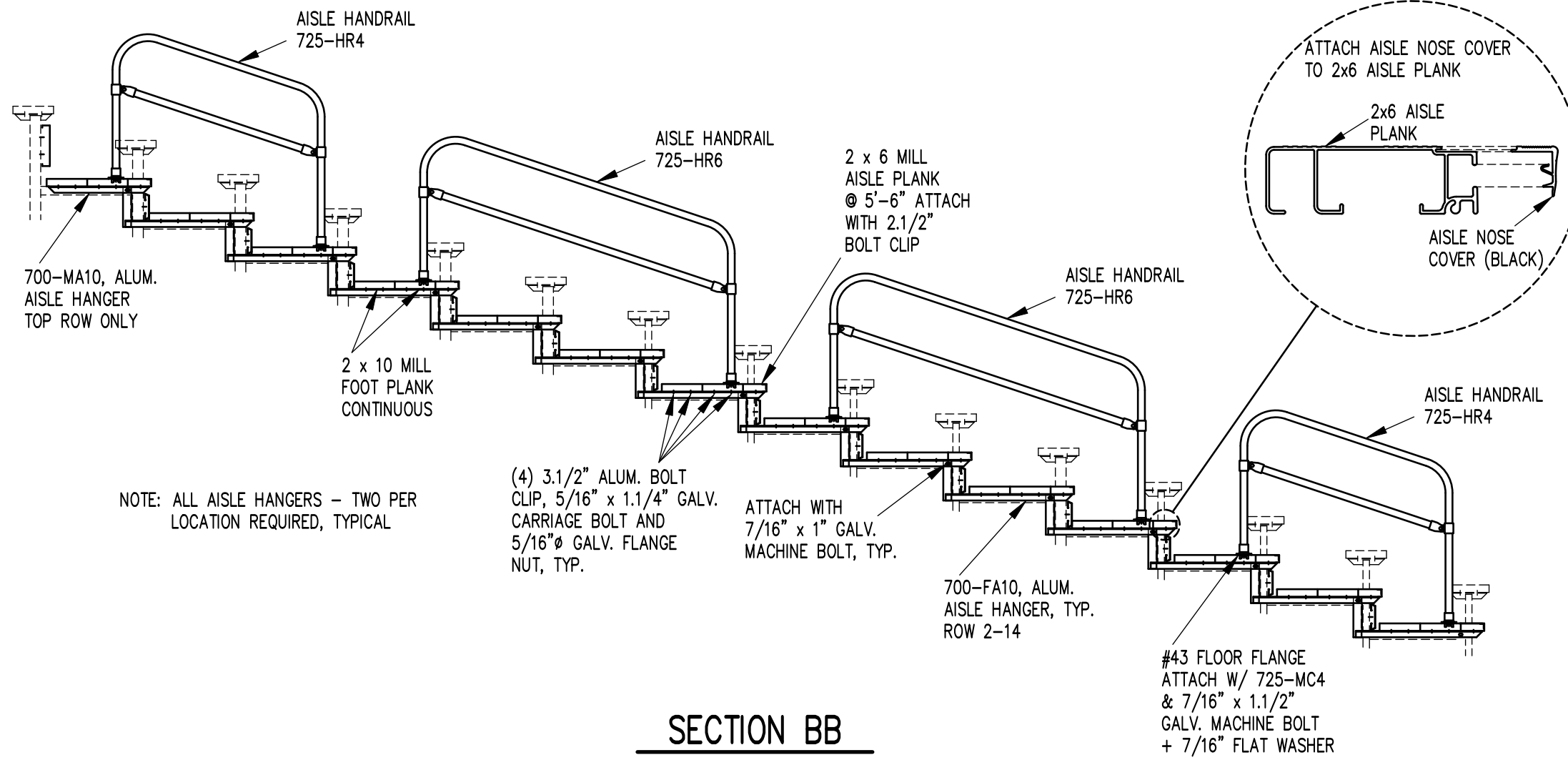
		P.O. BOX 118 GENEVA, ALABAMA 36340 334-684-2296						
		SCALE	3/16"=1'-0"	REVISIONS		BY		DATE
DATE	05/08/09	UPDATED TO 700 SERIES STANDARDS				GDK		02/13
DR'N	W/W	CKD						
AP'VD								
TITLE							NO.	
SGA 15-21 FRAMING PLAN W/AISLE							584-E2279	




**SECTION AA**

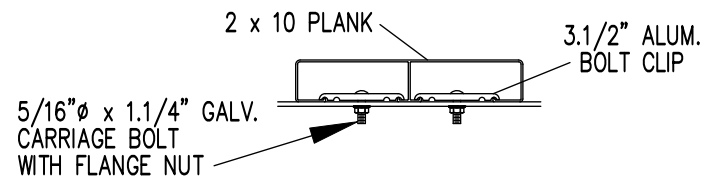
3/8" = 1'-0"

		<b>Outdoor Aluminum</b> P.O. BOX 118 GENEVA, ALABAMA 36340 334-684-2296					
				SCALE	REVISIONS	BY	DATE
SCALE	3/8"=1'-0"	REVISIONS		BY	GDK	DATE	02/13
DATE	05/08/09	UPDATED TO 700 SERIES STANDARDS		BY	GDK	DATE	02/13
DR'N	WHW	CKD					
AP'VD							
TITLE						NO.	
SG 15 ROW SECTION DOUBLE FOOTBOARD						584-E2293	



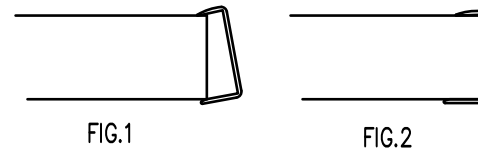
**SECTION BB**  
3/8" = 1'-0"

		<b>Outdoor Aluminum</b> P.O. BOX 118 GENEVA, ALABAMA 36340 334-684-2296		
				SCALE
SCALE	05/08/09	UPDATED TO 700 SERIES STANDARDS	GDK	2/18/13
DR'N	WHW	CKD	ADJUSTED FOR FLANGE NUTS	GDK
AP'VD				
TITLE			NO.	
SG 15 ROW AISLE SECTION			584-E2016	



**BOLT CLIP DETAIL**

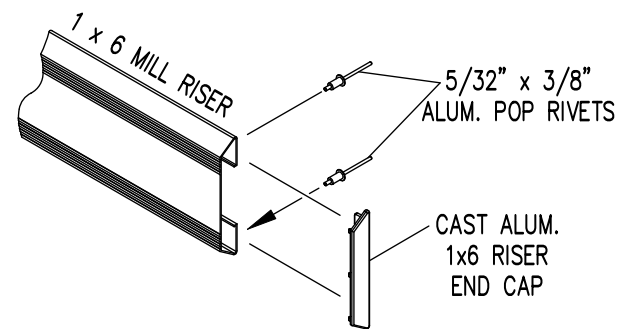
1.1/2" = 1'-0"



- 1) LOCATE THE CHANNEL END CAP AS SHOWN IN FIG. 1.
- 2) TAP END CAP INTO PLACE WITH RUBBER Mallet OR SOFT WOOD. FIG.2
- 3) DRILL 5/32" HOLES THROUGH THE BOTTOM FLANGE AND THE BOTTOM OUTSIDE PLANK FLANGES OF EACH PLANK. INSTALL 5/32" POP RIVETS.

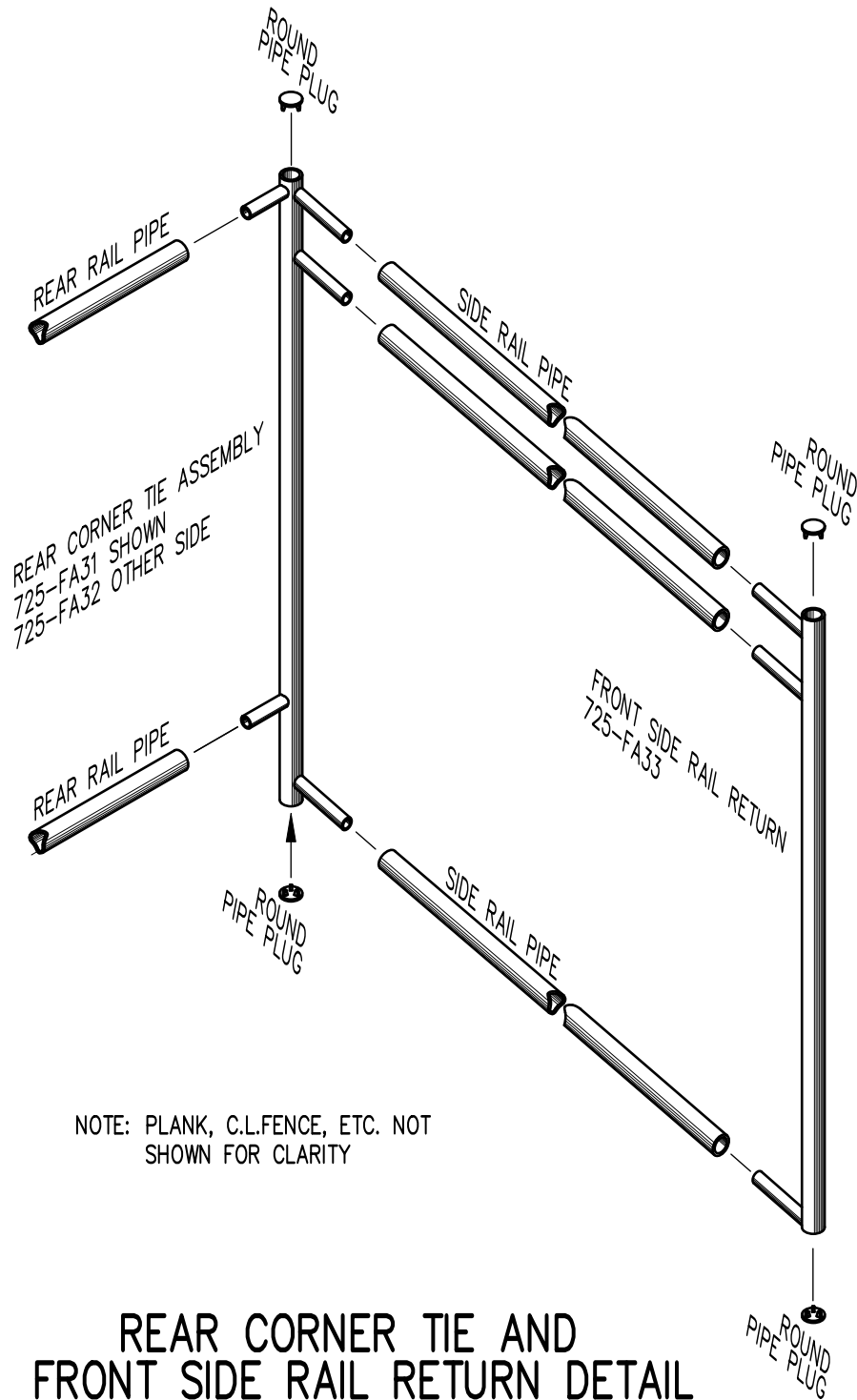
**END CAP DETAIL**

N.T.S.



**1 x 6 RISER END CAP**

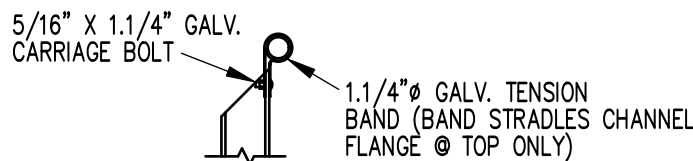
N.T.S.



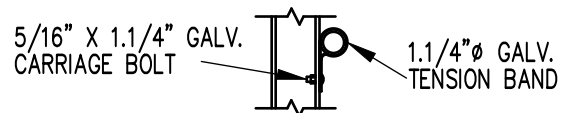
**REAR CORNER TIE AND FRONT SIDE RAIL RETURN DETAIL**

3/4" = 1'-0"

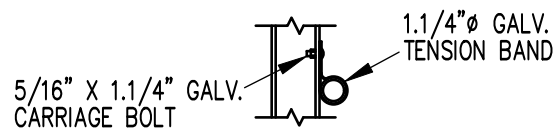
NOTE: PLANK, C.L.FENCE, ETC. NOT SHOWN FOR CLARITY



**TOP RAIL**

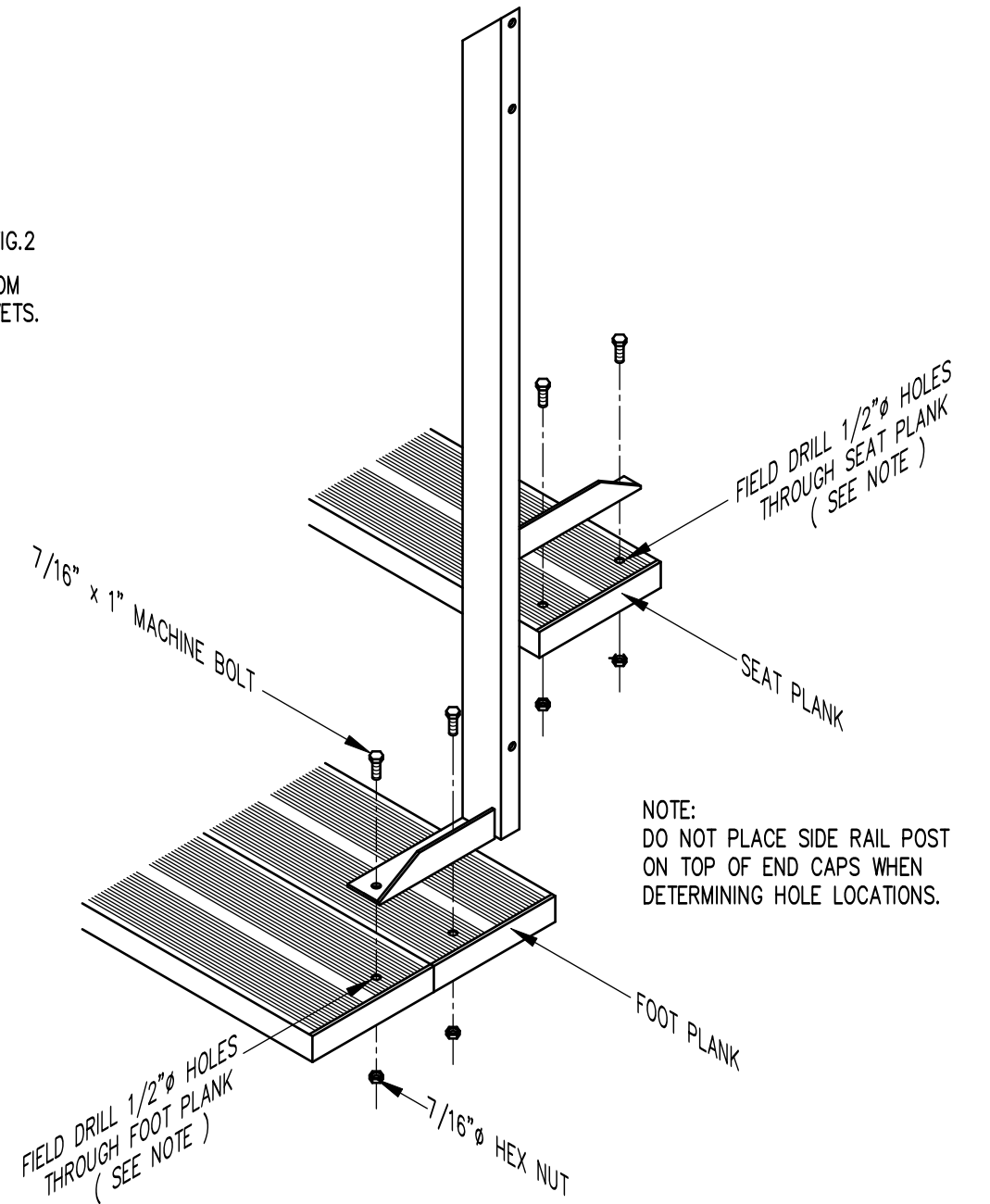


**MID RAIL**



**LOWER RAIL**

3/4" = 1'-0"



**TYP. SIDE RAIL POST ATTACHMENT**

1" = 1'-0"

		<b>Outdoor Aluminum</b> P.O. BOX 118 GENEVA, ALABAMA 36340 334-684-2296			
				SCALE	AS NOTED
DATE	11/2/00	SIDE GUARDRAIL TO OUTSIDE		WHW	03/02
DR'N	SS CKD	UPDATED TO 700 SERIES STANDARDS		GDK	12/13
AP'VD		ADJUSTED FOR FLANGE NUTS		GDK	5/24
TITLE				NO.	
TYPICAL DETAILS				584-E1990	