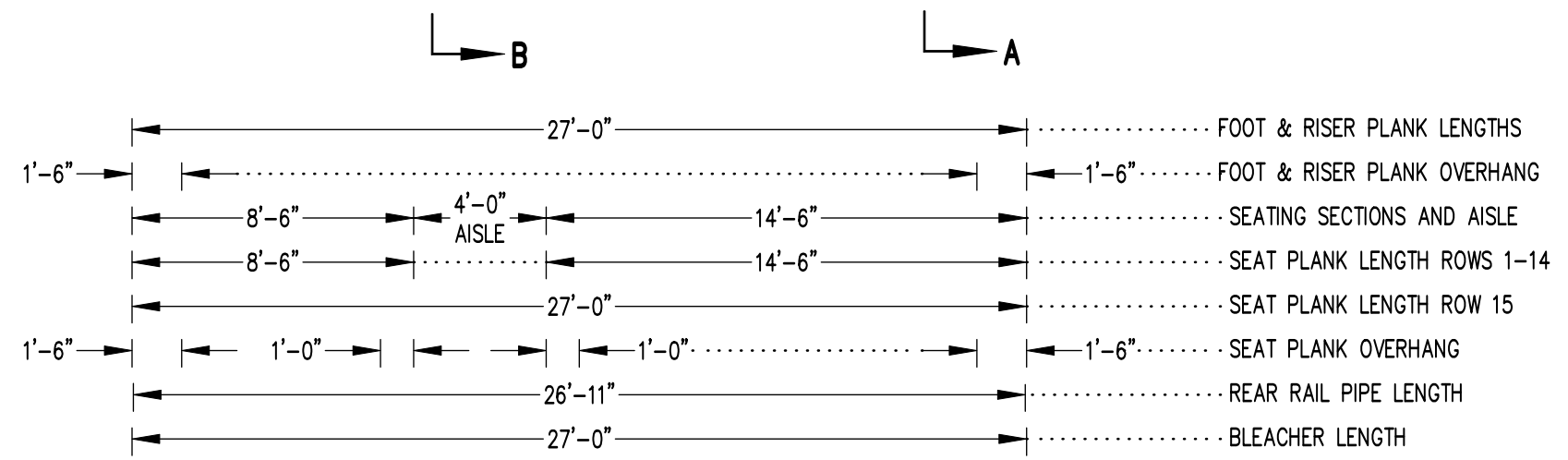
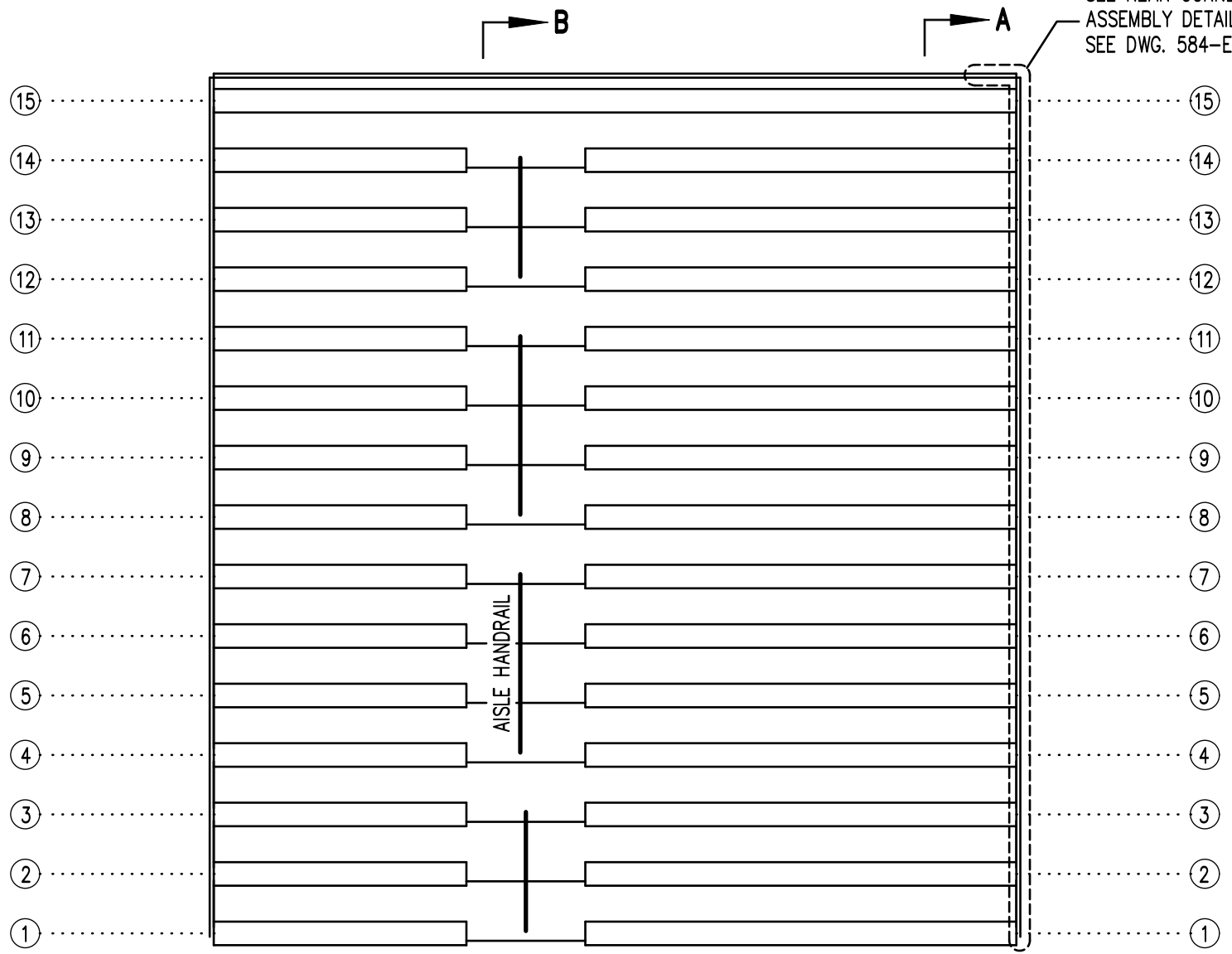

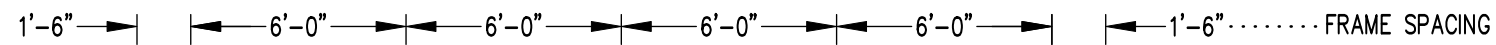
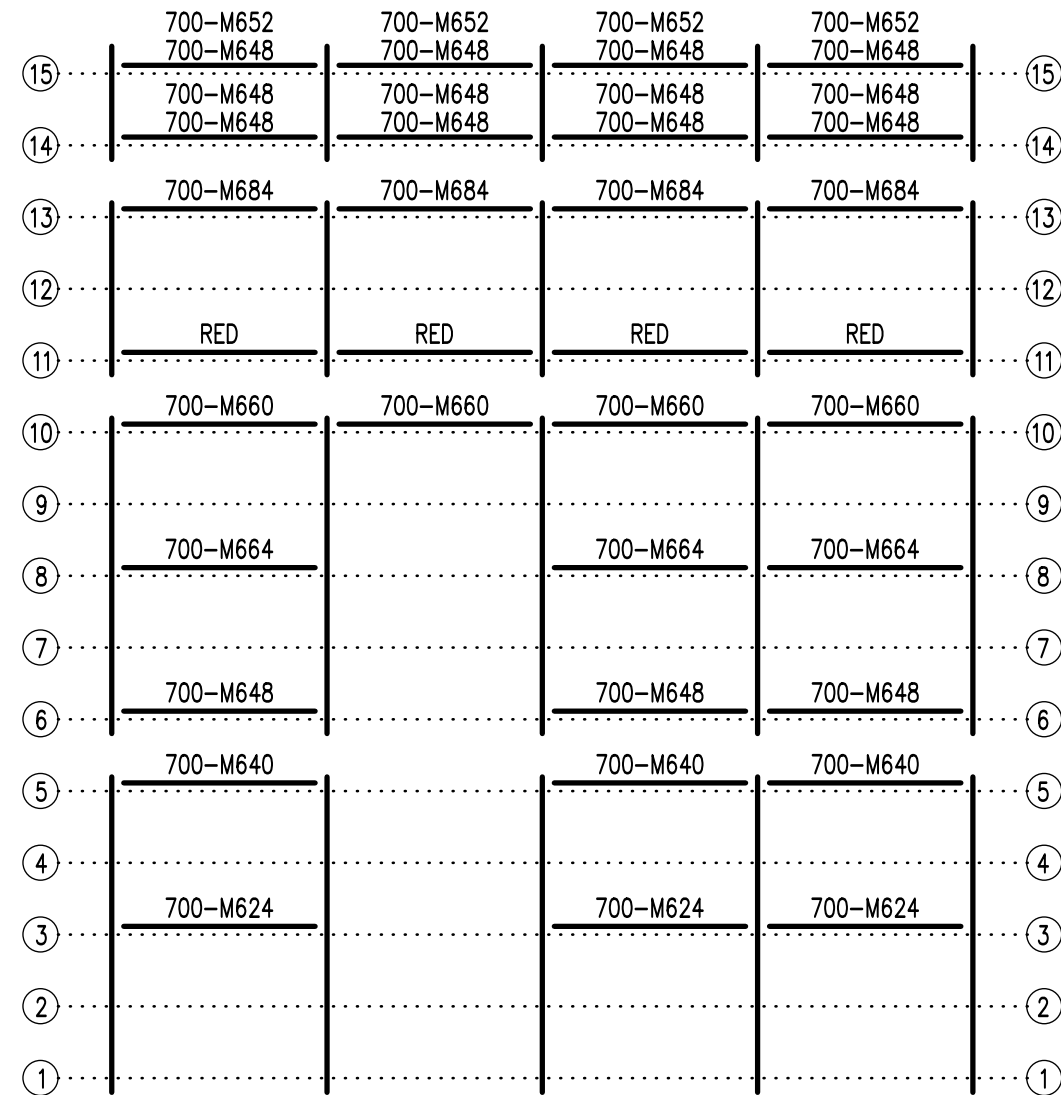


SEE REAR CORNER TIE
ASSEMBLY DETAIL
SEE DWG. 584-E1990

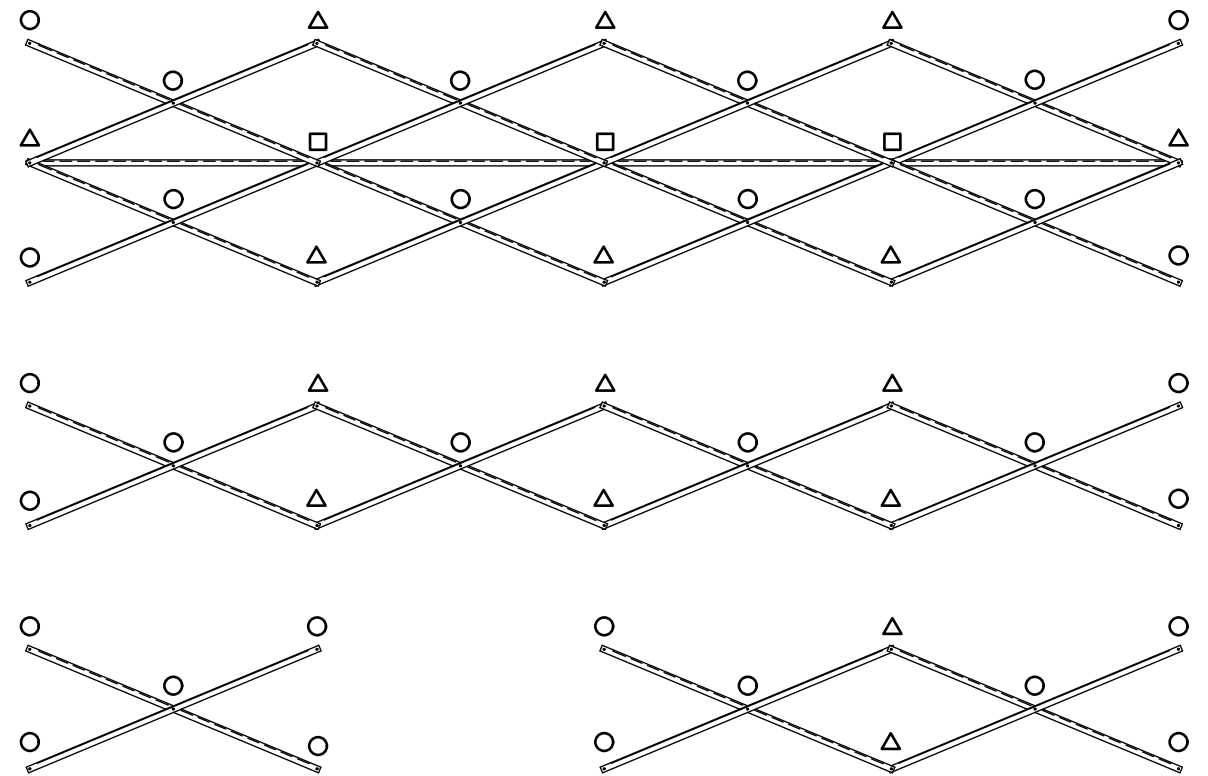


SEATING PLAN
3/16" = 1'-0"
214 NET SEATS @ 18" PER SEAT

		Outdoor Aluminum <small>P.O. BOX 118 GENEVA, ALABAMA 36340 334-684-2296</small>			
				SCALE 3/16"=1'-0"	REVISIONS
DATE	05/08/09	UPDATED TO 700 SERIES STANDARDS		GDK	02/13
DR'N	WHW	CKD			
AP'VD					
TITLE				NO.	
SGA 15-27 SEATING PLAN W/AISLE				584-E2283	




FRAMING PLAN
3/16" = 1'-0"

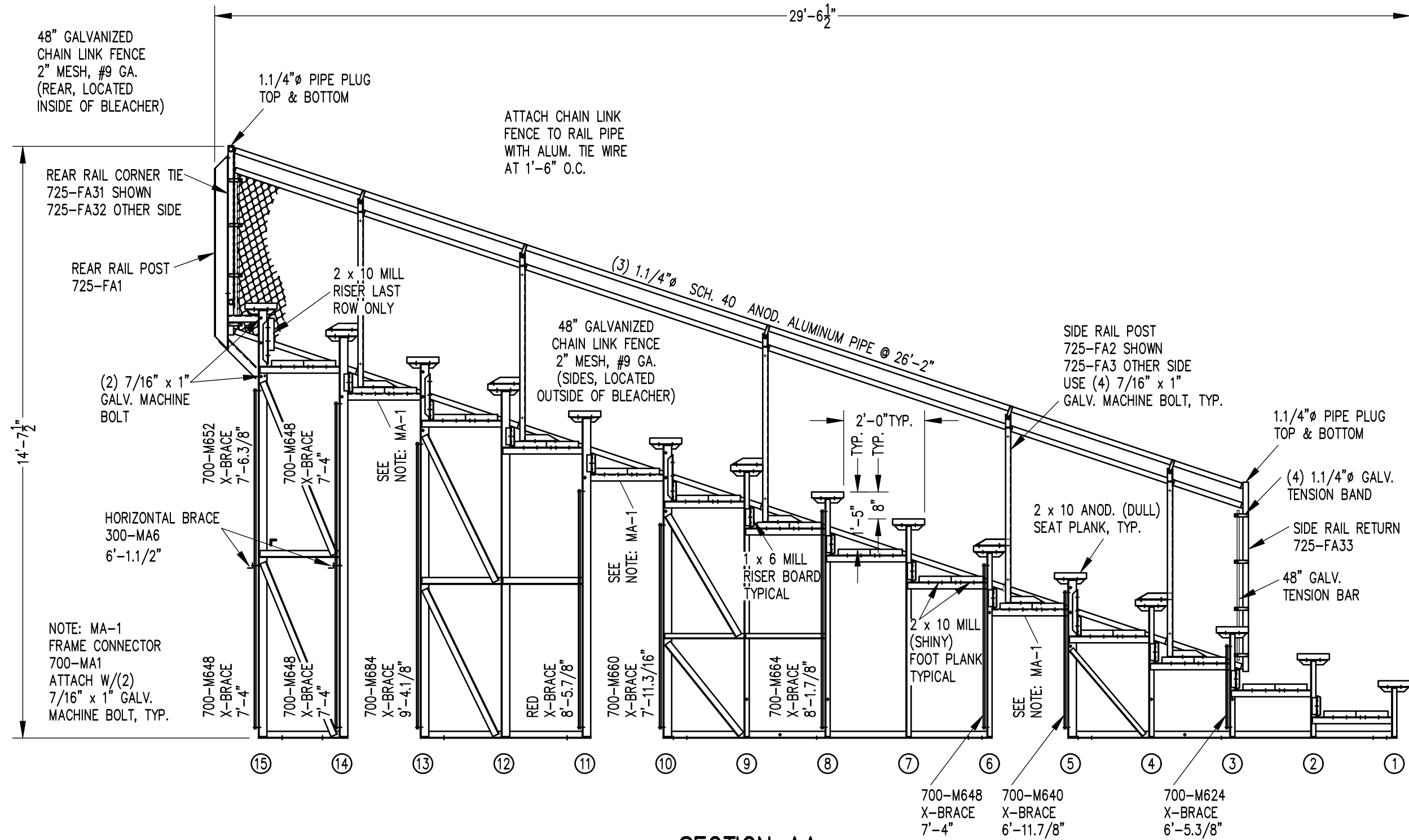


X-BRACE DETAIL

N.T.S.


- 7/16" X 1" GALV. MACH. BOLT
- △ 7/16" X 1.1/2" GALV. MACH. BOLT
- 7/16" X 3" GALV. MACH. BOLT

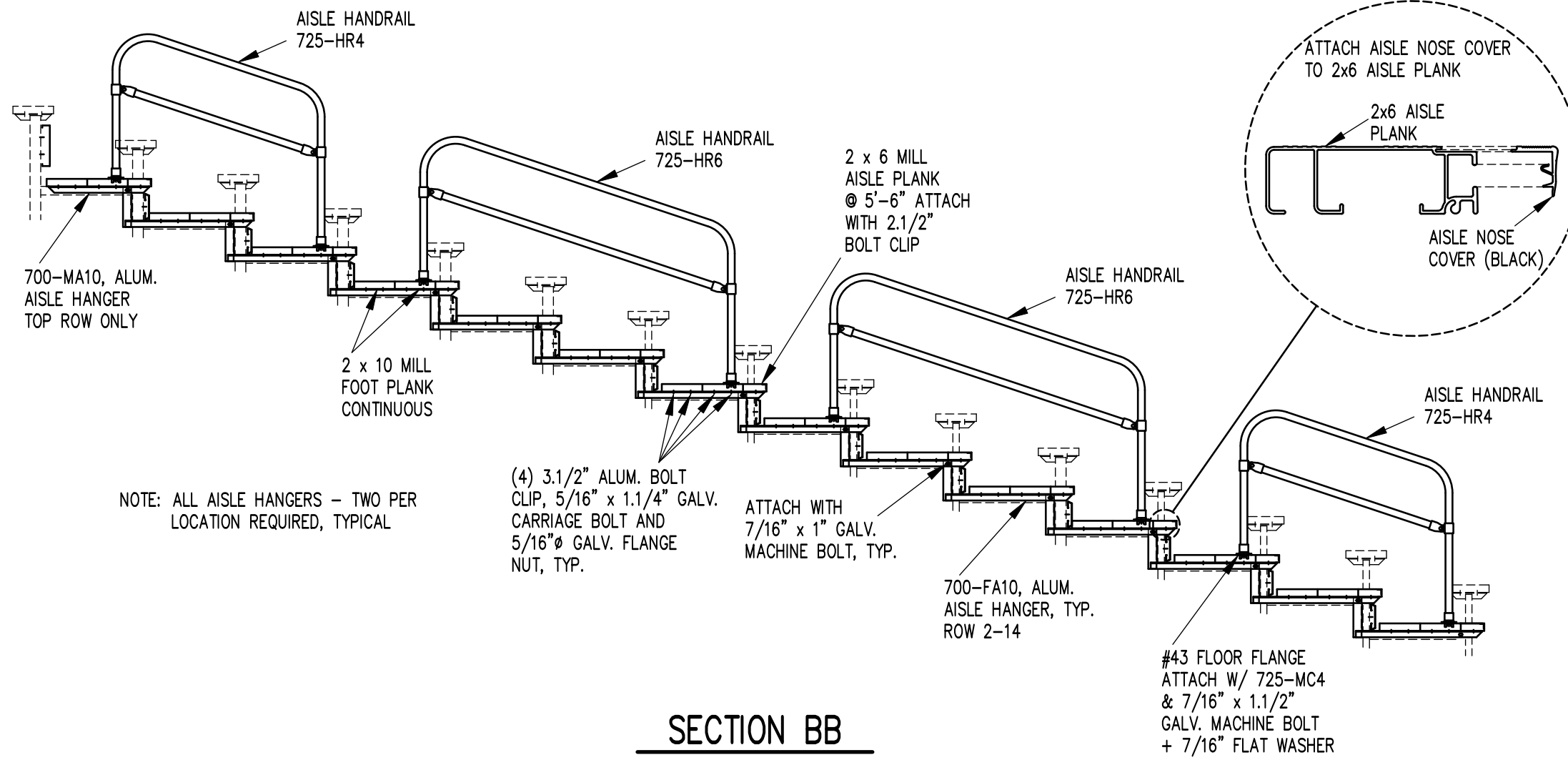
		P.O. BOX 118 GENEVA, ALABAMA 36340 334-684-2296						
		SCALE	3/16"=1'-0"	REVISIONS		BY		DATE
DATE	05/08/09	UPDATED TO 700 SERIES STANDARDS				GDK		02/13
DR'N	W/W	CKD						
AP'VD								
TITLE							NO.	
SGA 15-27 FRAMING PLAN W/AISLE							584-E2284	




SECTION AA

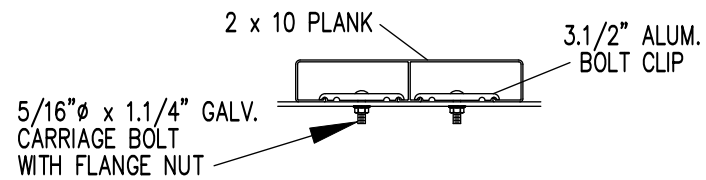
3/8" = 1'-0"

		Outdoor Aluminum P.O. BOX 118 GENEVA, ALABAMA 36340 334-684-2296			
				SCALE	REVISIONS
SCALE	3/8" = 1'-0"	REVISIONS		BY	DATE
DATE	05/08/09	UPDATED TO 700 SERIES STANDARDS		GDK	02/13
DR'N	WHW	CKD			
AP'VD					
TITLE	SG 15 ROW SECTION DOUBLE FOOTBOARD			NO.	584-E2293



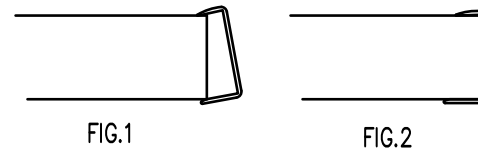
SECTION BB
3/8" = 1'-0"

		Outdoor Aluminum P.O. BOX 118 GENEVA, ALABAMA 36340 334-684-2296		
				SCALE
SCALE	05/08/09	UPDATED TO 700 SERIES STANDARDS	GDK	2/18/13
DR'N	WHW	CKD	ADJUSTED FOR FLANGE NUTS	GDK
AP'VD				
TITLE			NO.	
SG 15 ROW AISLE SECTION			584-E2016	



BOLT CLIP DETAIL

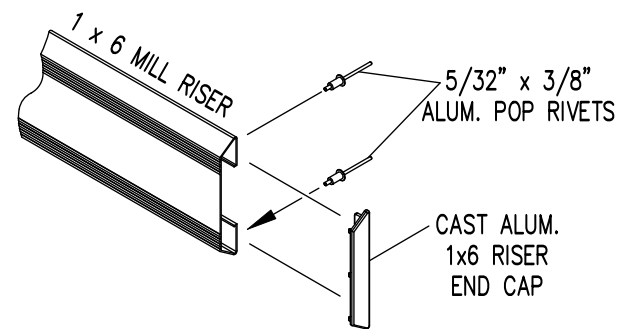
1.1/2" = 1'-0"



- 1) LOCATE THE CHANNEL END CAP AS SHOWN IN FIG. 1.
- 2) TAP END CAP INTO PLACE WITH RUBBER Mallet OR SOFT WOOD. FIG.2
- 3) DRILL 5/32" HOLES THROUGH THE BOTTOM FLANGE AND THE BOTTOM OUTSIDE PLANK FLANGES OF EACH PLANK. INSTALL 5/32" POP RIVETS.

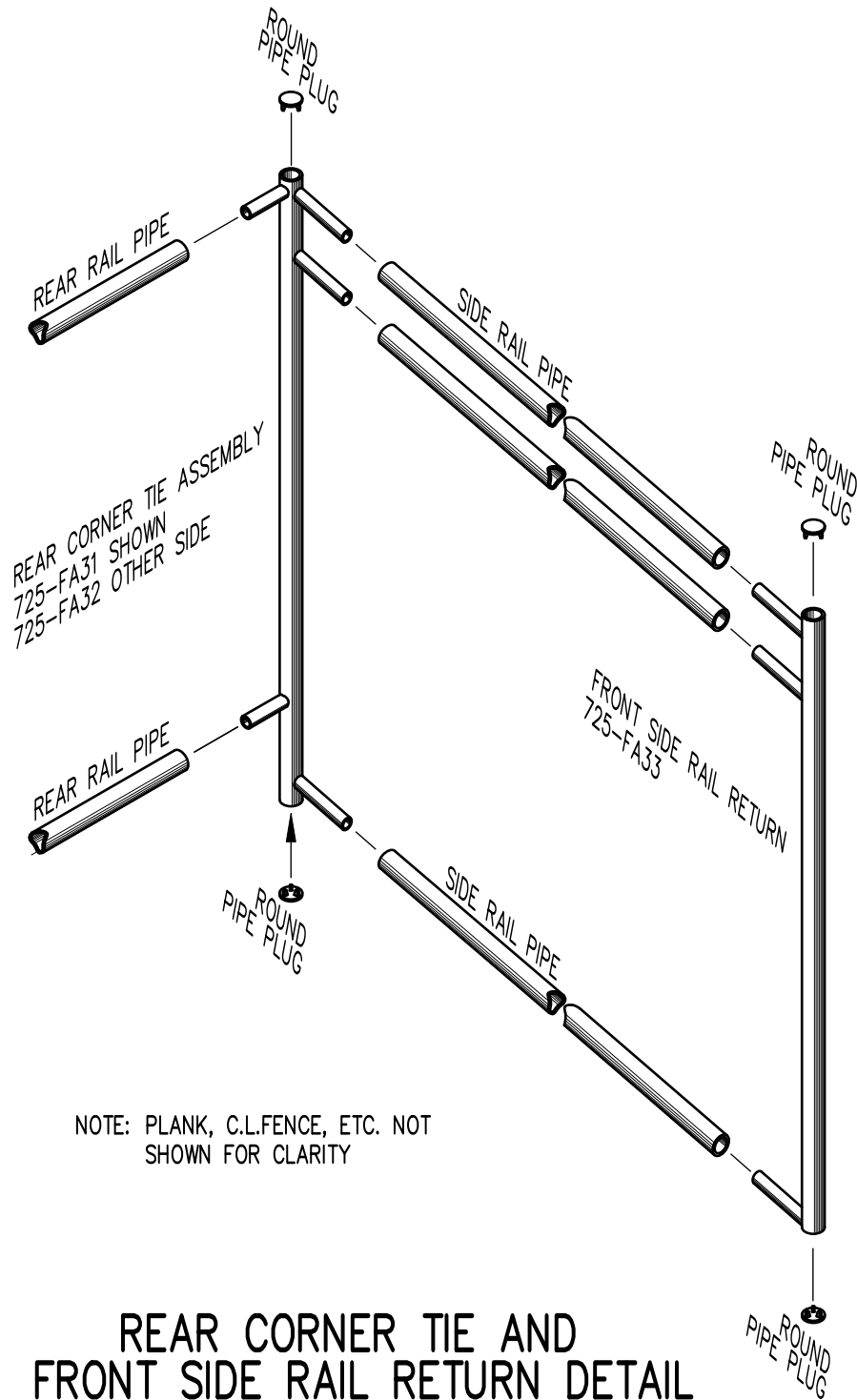
END CAP DETAIL

N.T.S.



1 x 6 RISER END CAP

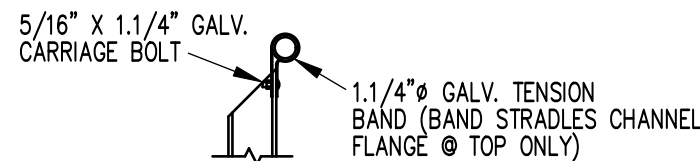
N.T.S.



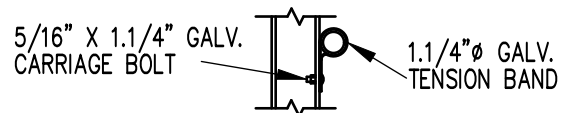
NOTE: PLANK, C.L.FENCE, ETC. NOT SHOWN FOR CLARITY

REAR CORNER TIE AND FRONT SIDE RAIL RETURN DETAIL

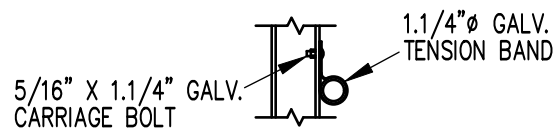
3/4" = 1'-0"



TOP RAIL

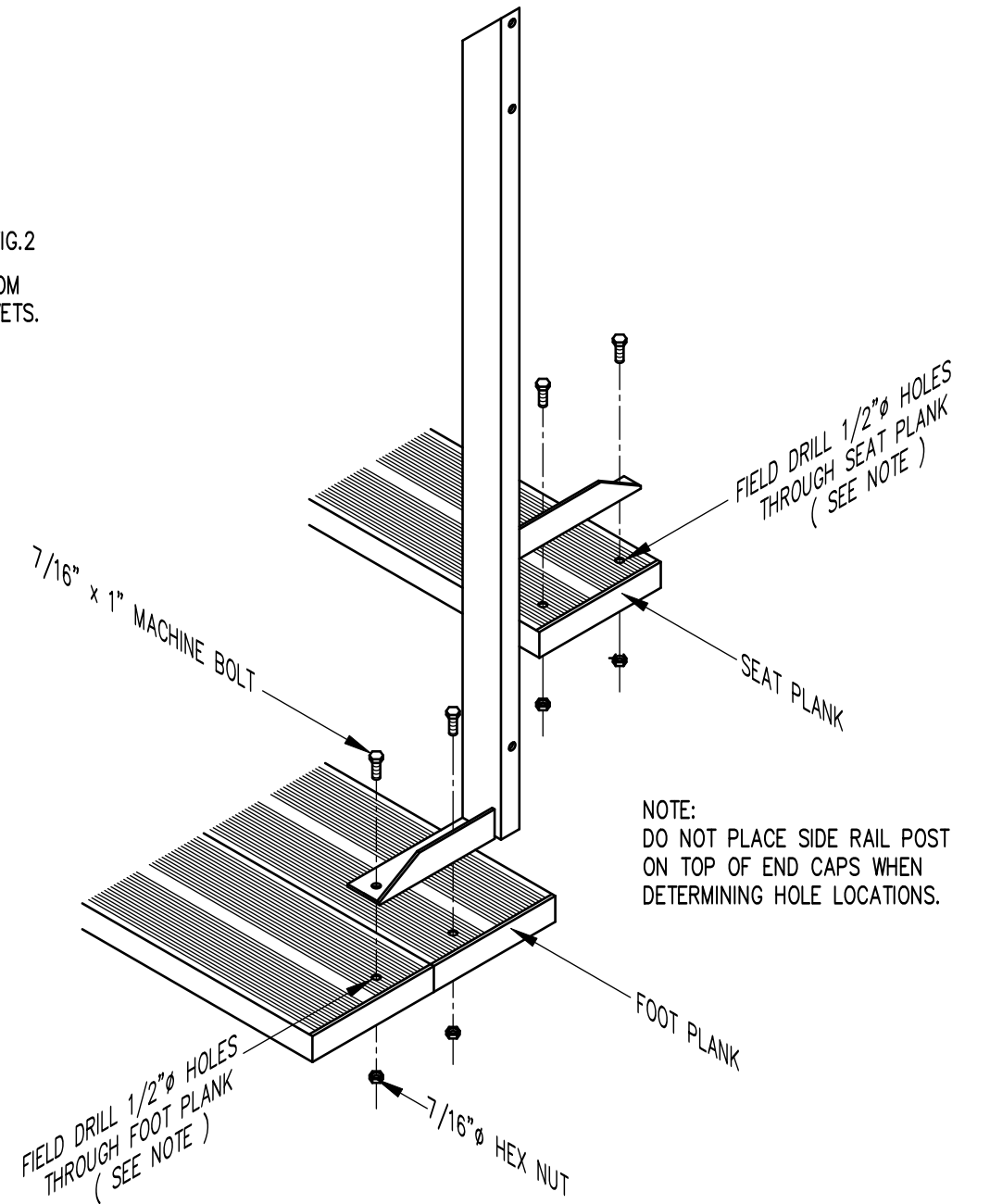


MID RAIL



LOWER RAIL

3/4" = 1'-0"



NOTE: DO NOT PLACE SIDE RAIL POST ON TOP OF END CAPS WHEN DETERMINING HOLE LOCATIONS.

TYP. SIDE RAIL POST ATTACHMENT

1" = 1'-0"

		Outdoor Aluminum P.O. BOX 118 GENEVA, ALABAMA 36340 334-684-2296					
				SCALE	AS NOTED	REVISIONS	
DATE	11/2/00	SIDE GUARDRAIL TO OUTSIDE		WHW	03/02		
DR'N	SS CKD	UPDATED TO 700 SERIES STANDARDS		GDK	12/13		
AP'VD		ADJUSTED FOR FLANGE NUTS		GDK	5/24		
TITLE				NO.			
TYPICAL DETAILS				584-E1990			