

### SEATING PLAN

3/16" = 1'-0"

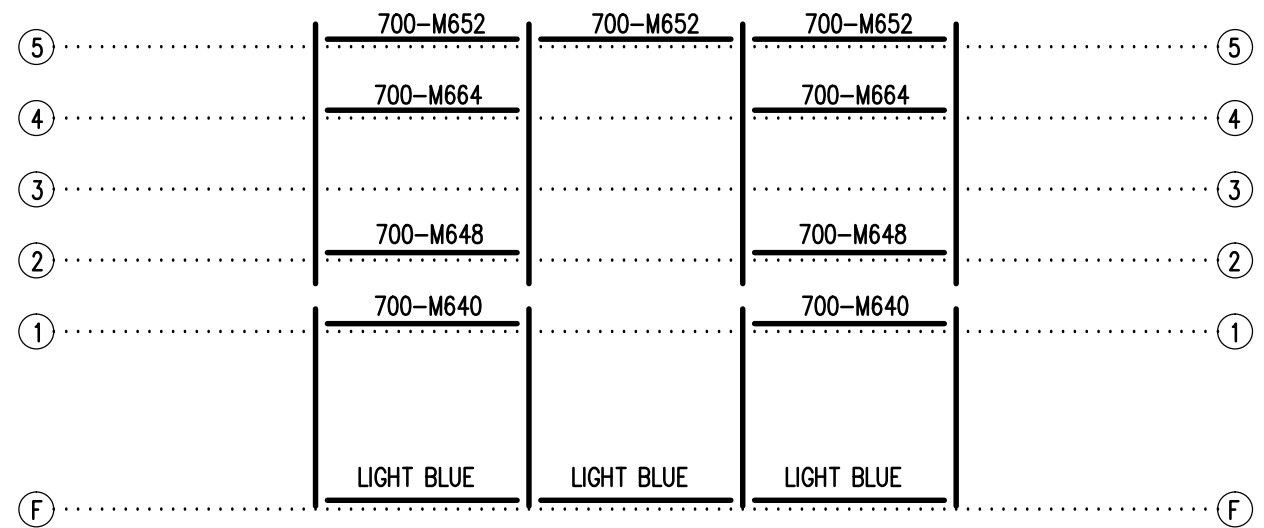
54 NET SEATS @ 18" PER SEAT



**Outdoor  
Aluminum**

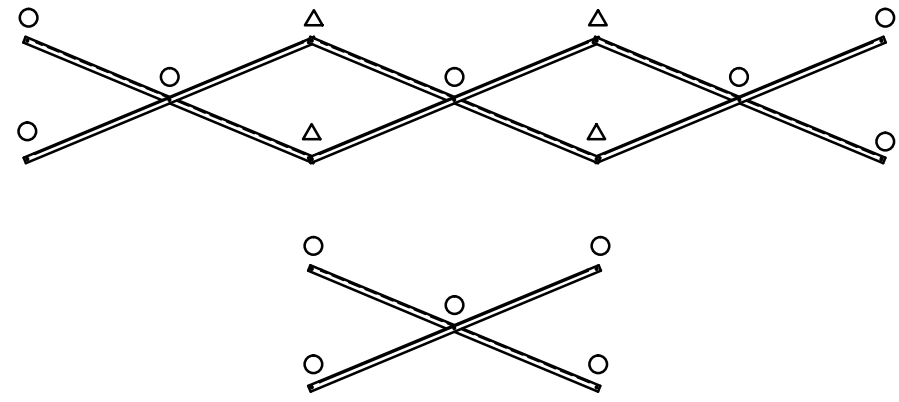
P.O. BOX 118  
GENEVA, ALABAMA 36340  
334-684-2296

SCALE	REVISIONS	BY	DATE
3/16"=1'-0"			
DATE 12/08/00	SIDE GUARDRAIL TO OUTSIDE	WHW	03/02
DR'N 5,5 CKD	UPDATED TO 700 SERIES STANDARDS	GDK	02/13
AP'VD			
TITLE			NO.
SGE 5-21 SEATING PLAN			584-E2166




1'-6"    6'-0"    6'-0"    6'-0"    1'-6" ..... FRAME SPACING

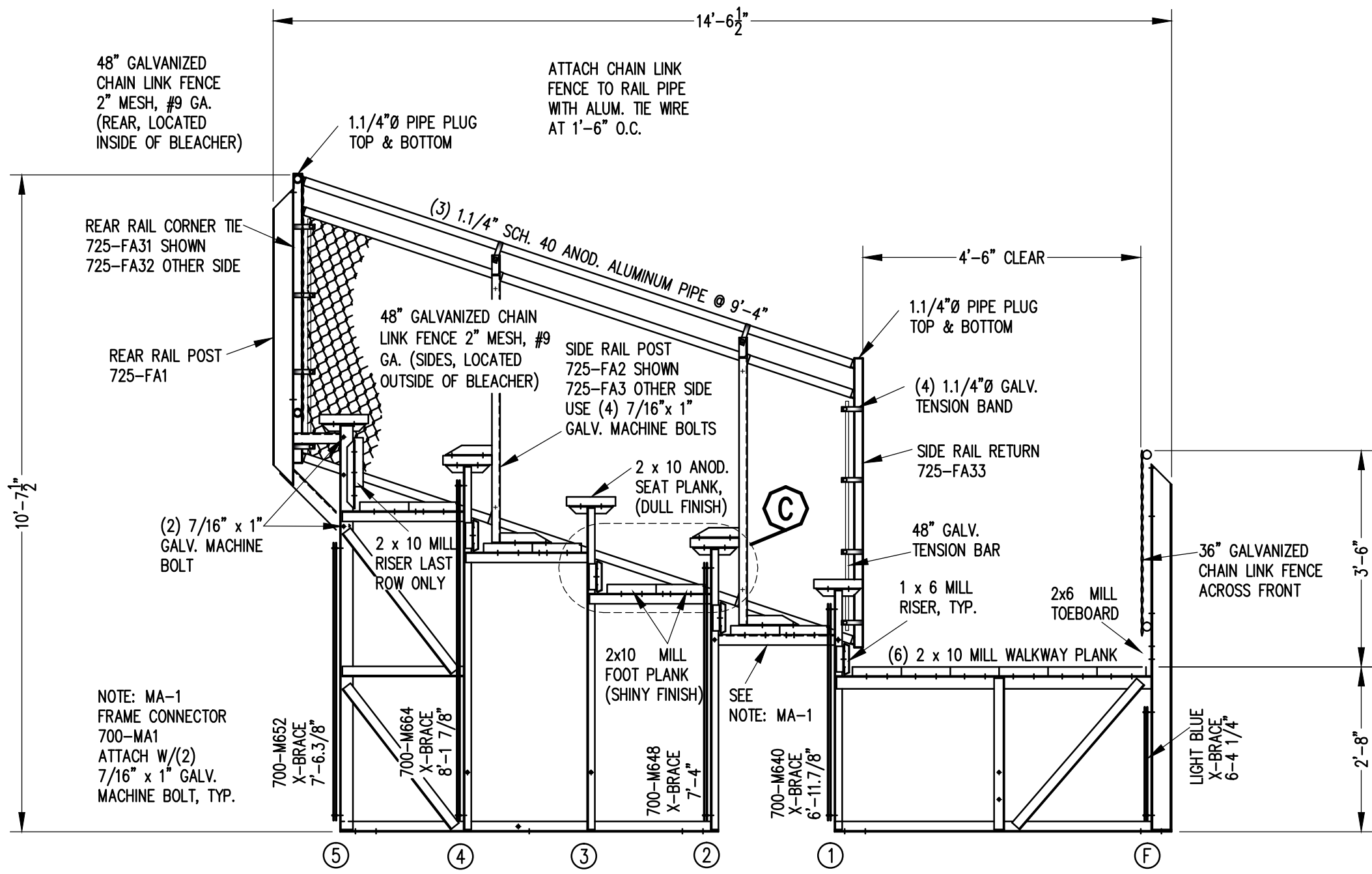
**FRAMING PLAN**  
3/16" = 1'-0"



**X-BRACE DETAIL**

- N.T.S.
- 7/16" X 1" GALV. MACH. BOLT
  - △ 7/16" X 1.1/2" GALV. MACH. BOLT

		<b>Outdoor Aluminum</b> <small>P.O. BOX 118          GENEVA, ALABAMA 36340          334-684-2296</small>			
				SCALE <b>3/16"=1'-0"</b>	REVISIONS
DATE <b>12/08/00</b>		UPDATED TO 700 SERIES STANDARDS		GDK	02/13
DR'N <b>SS</b>	CKD				
AP'VD					
TITLE				NO.	
SGE 5-21 FRAMING PLAN				<b>584-E2236</b>	



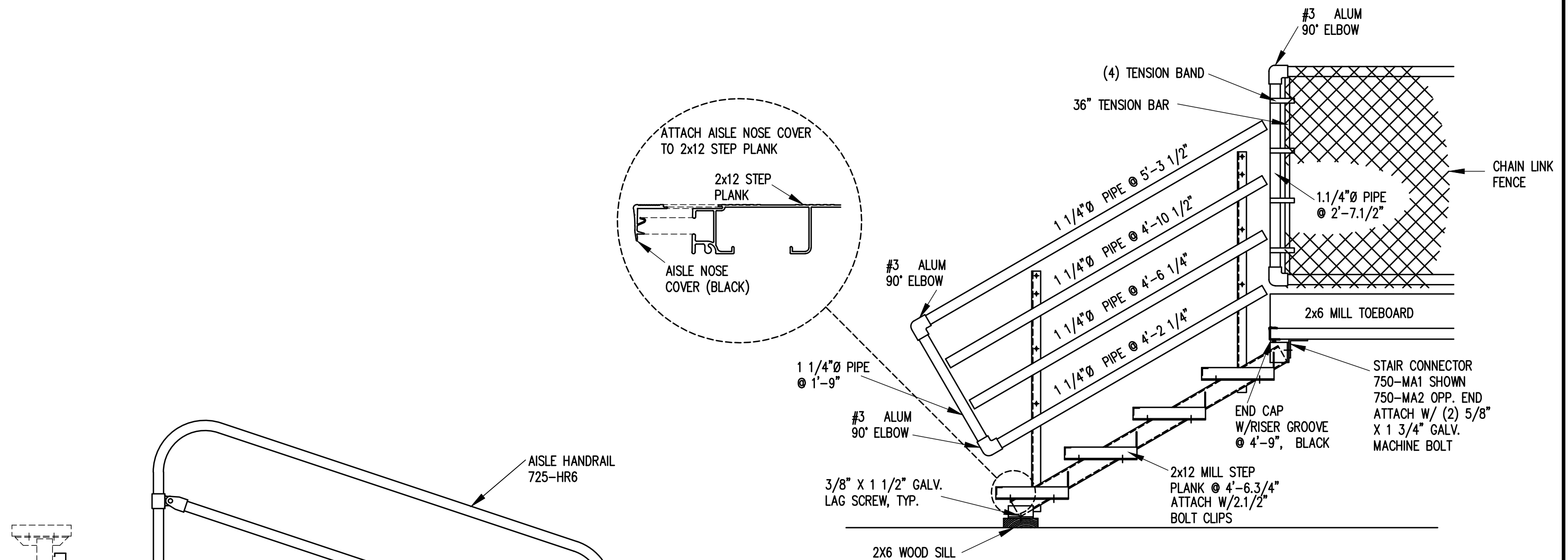
**SECTION AA**

1/2" = 1'-0"

NOTE: MA-1  
FRAME CONNECTOR  
700-MA1  
ATTACH W/(2)  
7/16" x 1" GALV.  
MACHINE BOLT, TYP.

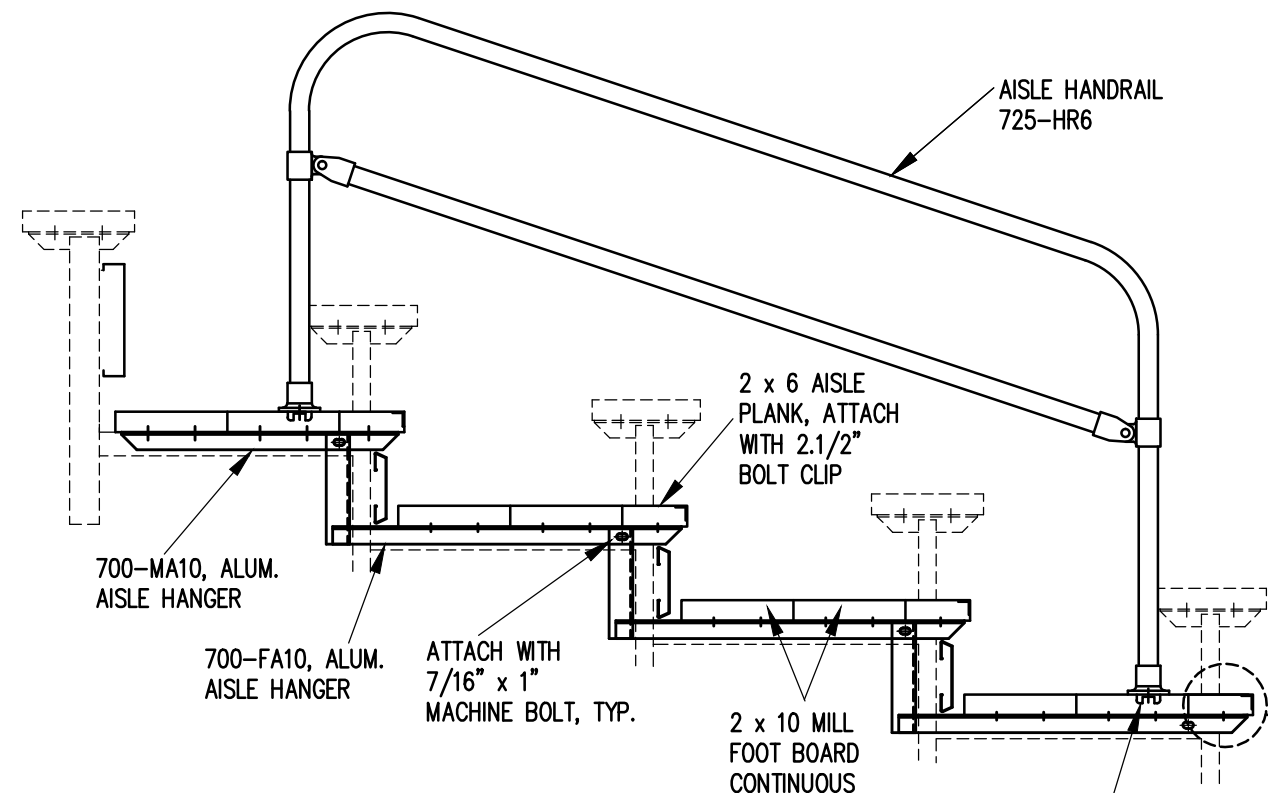
		<b>Outdoor Aluminum</b> P.O. BOX 118 GENEVA, ALABAMA 36340 334-684-2296		
				SCALE 1/2"=1'-0"
DATE 12/12/00	X-BRACE FROM BLUE TO DARK BLUE		CHM	03/97
DR'N 5,5	CKD	SIDE GUARDRAIL TO OUTSIDE	WHW	03/02
AP'VD	FOOTBOARD SUPPORT,FA17R2,FA22R1,MA8		RS	09/06
TITLE			NO.	
SGE 5 ROW SECTION			584-E2181	

REVISIONS	BY	DATE
UPDATED TO 700 SERIES STANDARDS	GDK	2/18/13



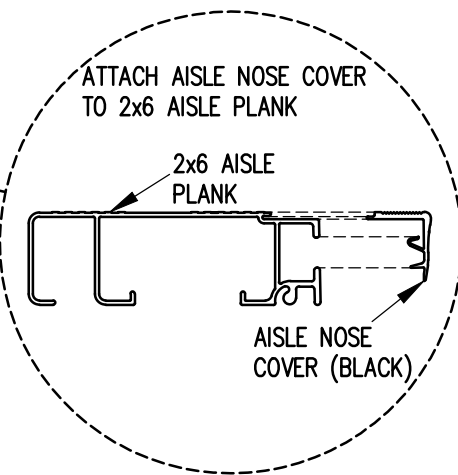
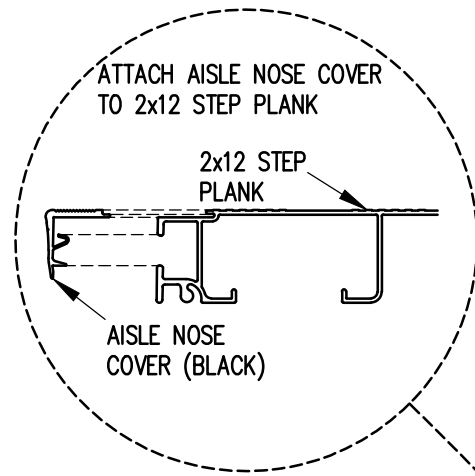
**SECTION CC**

3/4" = 1'-0"



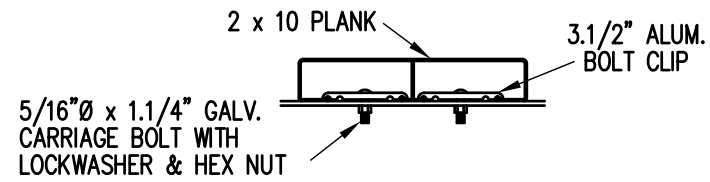
**SECTION BB**

3/4" = 1'-0"



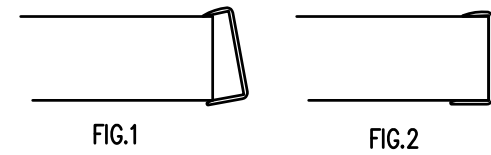
NOTE: ALL AISLE HANGERS - TWO PER LOCATION REQUIRED, TYPICAL

		P.O. BOX 118 GENEVA, ALABAMA 36340 334-684-2296	
		SCALE 3/4"=1'-0"	REVISIONS
DATE 12/08/00	AISLE NOSE COVER		WHW 03/02
DR'N 5,5 CKD	UPDATED TO 700 SERIES STANDARDS		GDK 02/13
TITLE			NO.
SGE 5 ROW AISLE & STAIR SECTION			<b>584-E1997</b>



**BOLT CLIP DETAIL**

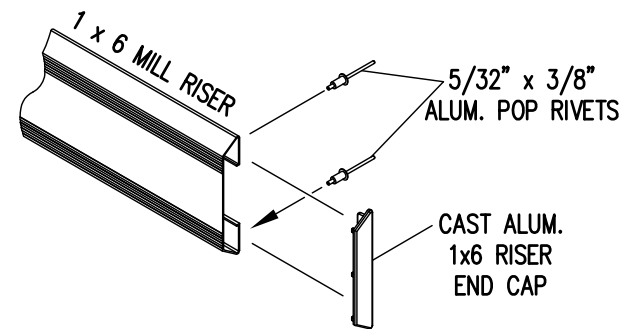
1.1/2" = 1'-0"



- 1) LOCATE THE CHANNEL END CAP AS SHOWN IN FIG. 1.
- 2) TAP END CAP INTO PLACE WITH RUBBER Mallet OR SOFT WOOD. FIG.2
- 3) DRILL 5/32" HOLES THROUGH THE BOTTOM FLANGE AND THE BOTTOM OUTSIDE PLANK FLANGES OF EACH PLANK. INSTALL 5/32" POP RIVETS.

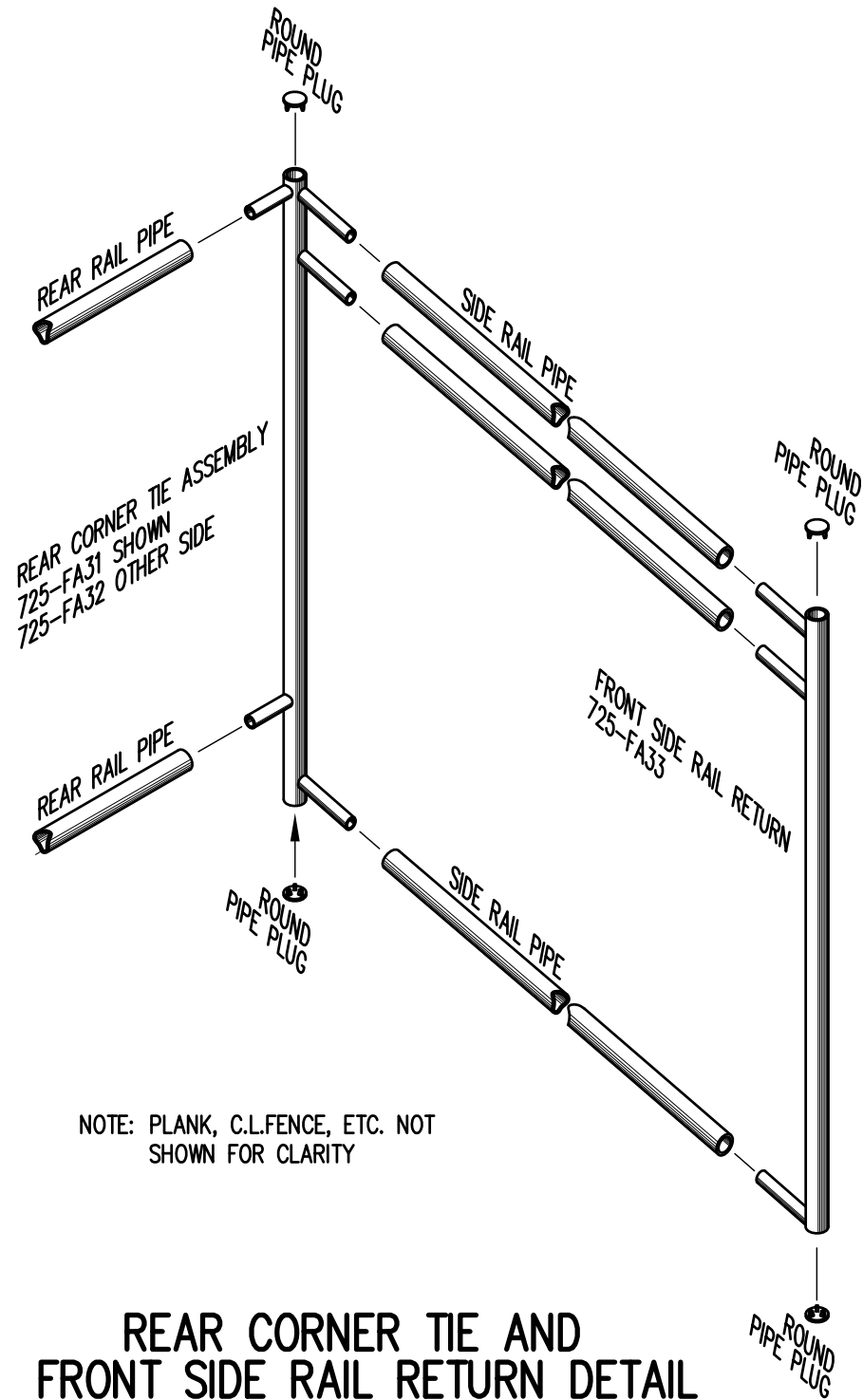
**END CAP DETAIL**

N.T.S.



**1 x 6 RISER END CAP**

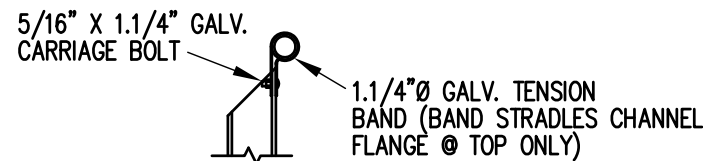
N.T.S.



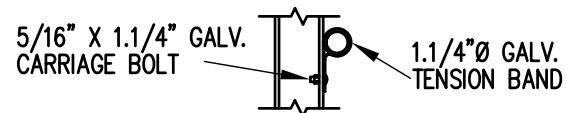
NOTE: PLANK, C.L.FENCE, ETC. NOT SHOWN FOR CLARITY

**REAR CORNER TIE AND FRONT SIDE RAIL RETURN DETAIL**

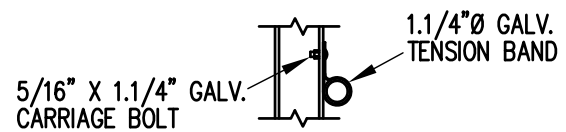
3/4" = 1'-0"



**TOP RAIL**

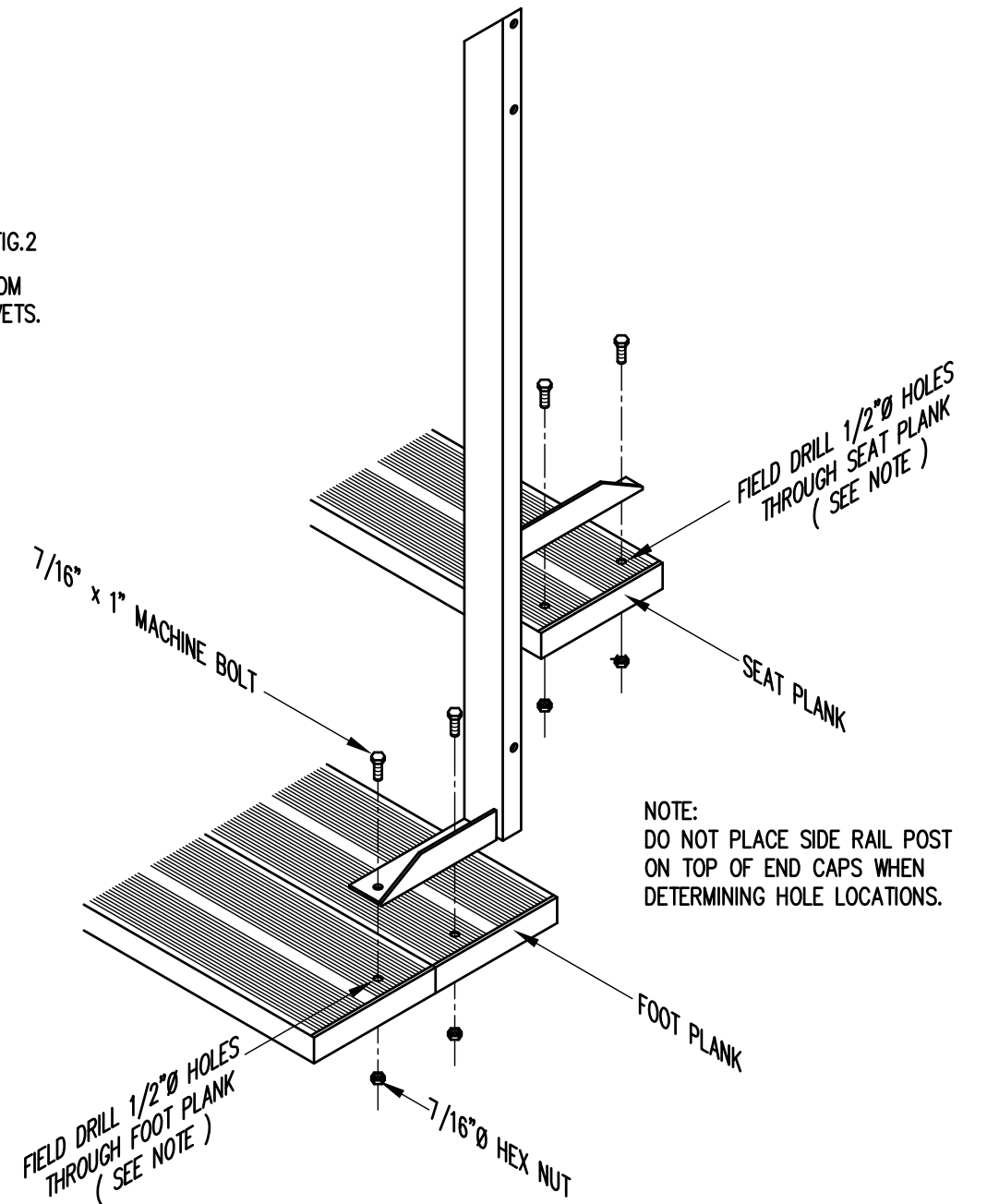


**MID RAIL**



**LOWER RAIL**

3/4" = 1'-0"



NOTE: DO NOT PLACE SIDE RAIL POST ON TOP OF END CAPS WHEN DETERMINING HOLE LOCATIONS.

**TYP. SIDE RAIL POST ATTACHMENT**

1" = 1'-0"

		P.O. BOX 118 GENEVA, ALABAMA 36340 334-684-2296			
		SCALE AS NOTED	REVISIONS	BY	DATE
DATE	11/2/00	SIDE GUARDRAIL TO OUTSIDE		WHW	03/02
DR'N	SS CKD	UPDATED TO 700 SERIES STANDARDS		GDK	02/13
AP'VD					
TITLE				NO.	
TYPICAL DETAILS				584-E1990	