
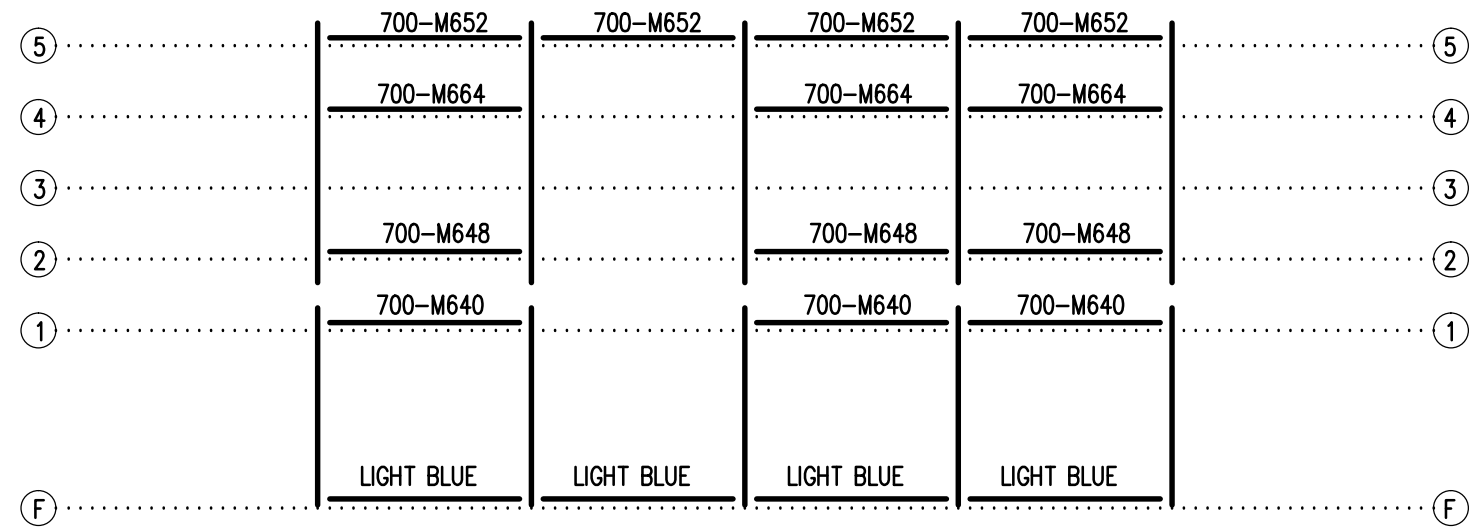


SEATING PLAN

3/16" = 1'-0"

74 NET SEATS @ 18" PER SEAT

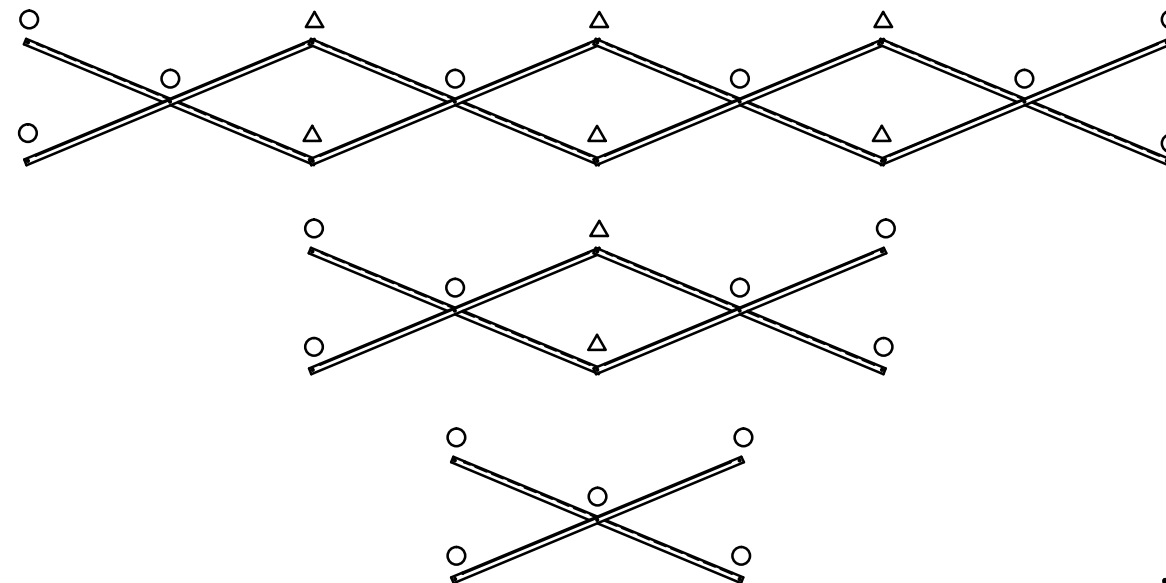
		Outdoor Aluminum P.O. BOX 118 GENEVA, ALABAMA 36340 334-684-2296		
				SCALE 3/16"=1'-0"
DATE 12/08/00	SIDE GUARDRAIL TO OUTSIDE		WHW	03/02
DR'N 5,5	CKD	UPDATED TO 700 SERIES STANDARDS	GDK	02/13
TITLE			NO.	
SGE 5-27 SEATING PLAN			584-E2171	



1'-6" | 6'-0" | 6'-0" | 6'-0" | 6'-0" | 1'-6" FRAME SPACING

FRAMING PLAN


3/16" = 1'-0"

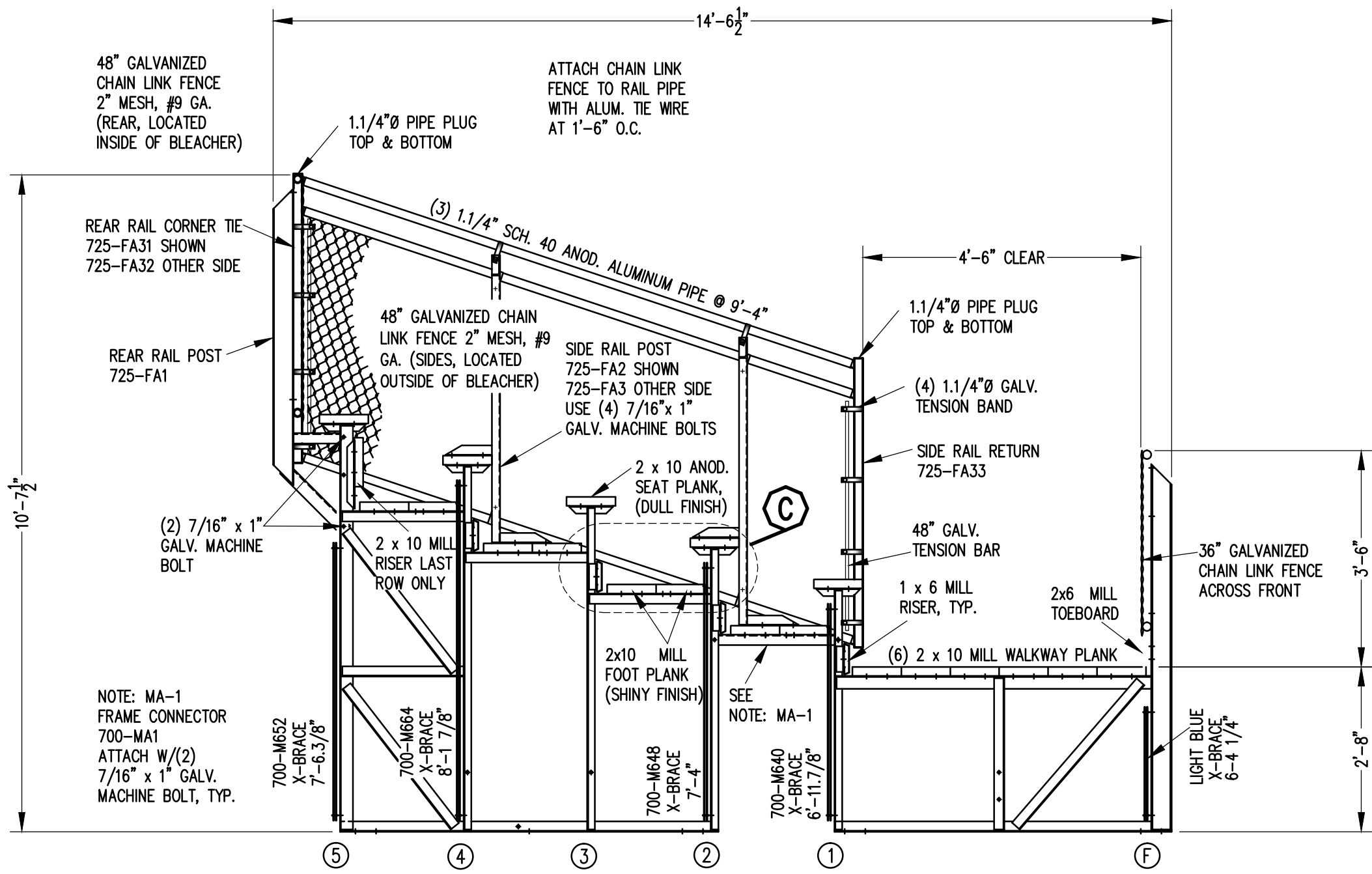


X-BRACE DETAIL

N.T.S.

- 7/16" X 1" GALV. MACH. BOLT
- △ 7/16" X 1.1/2" GALV. MACH. BOLT

		Outdoor Aluminum		<small>P.O. BOX 118 GENEVA, ALABAMA 36340 334-684-2296</small>	
SCALE	3/16"=1'-0"	REVISIONS		BY	DATE
DATE	12/08/00	UPDATED TO 700 SERIES STANDARDS		GDK	02/13
DR'N	SS	CKD			
AP'VD					
TITLE				NO.	
SGE 5-27 FRAMING PLAN				584-E2241	

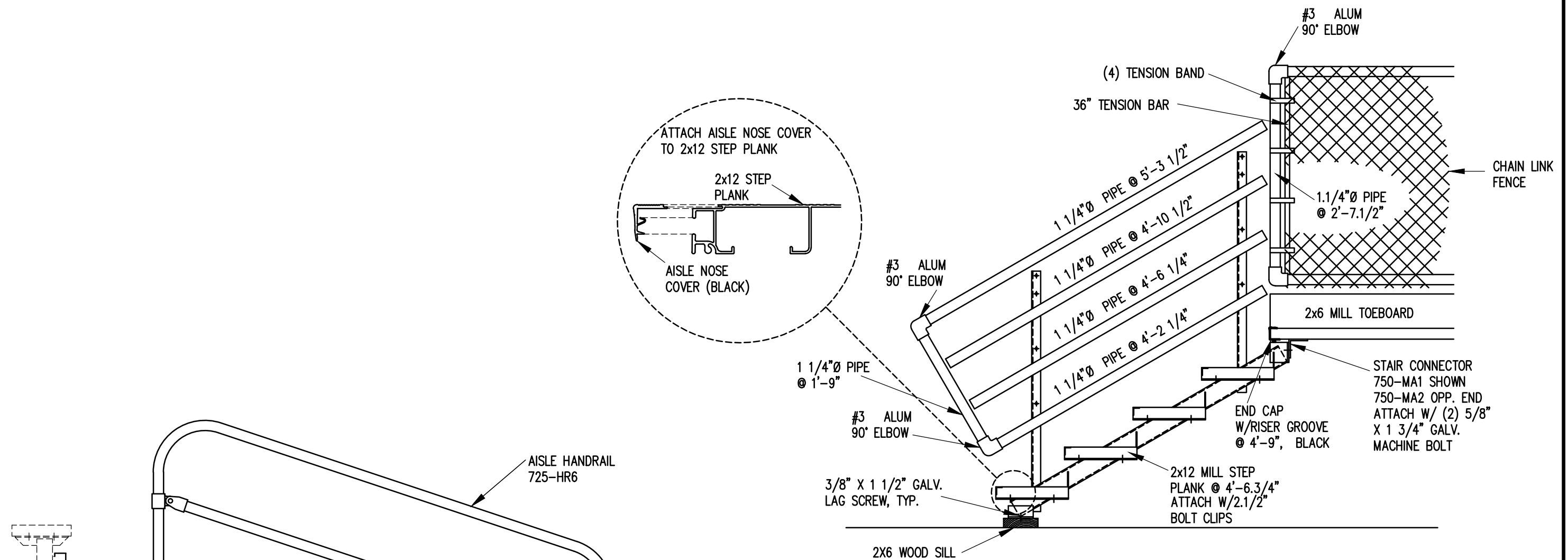


SECTION AA

1/2" = 1'-0"

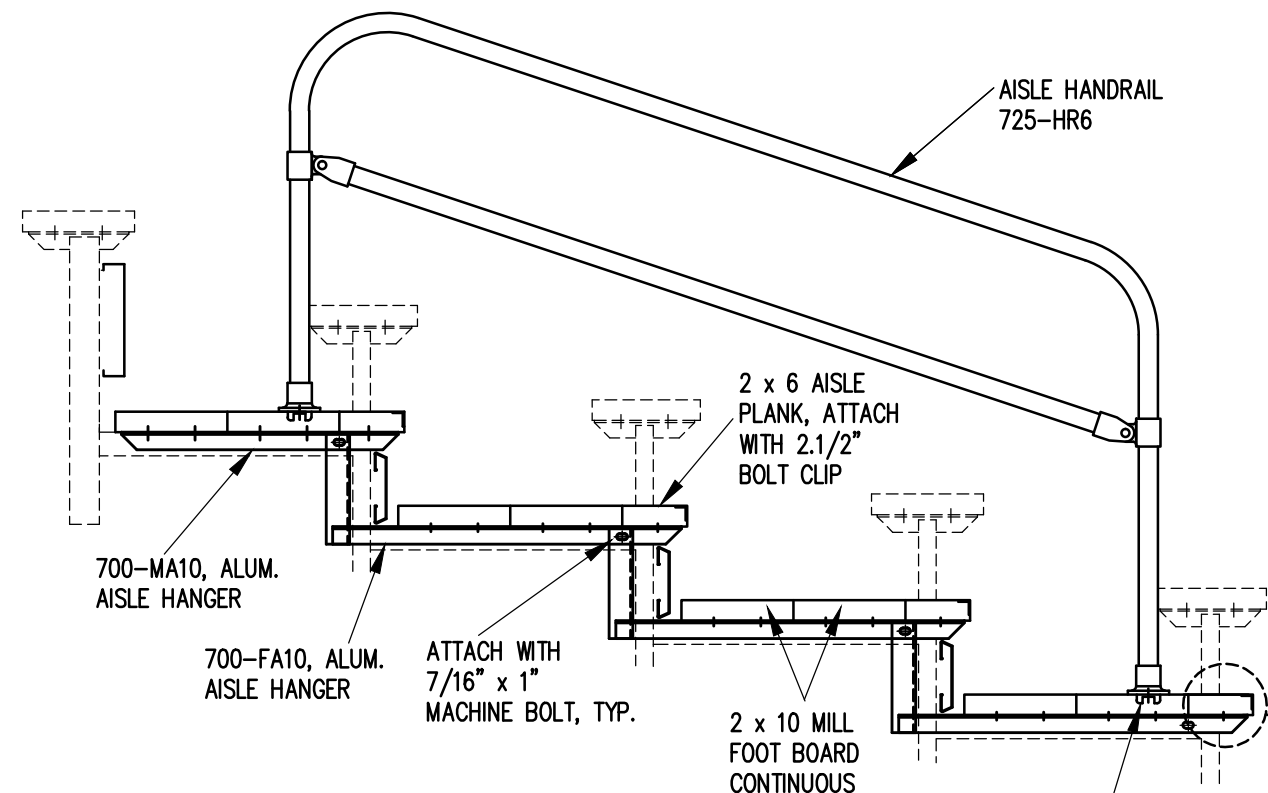
		P.O. BOX 118 GENEVA, ALABAMA 36340 334-684-2296	
		SCALE 1/2"=1'-0"	REVISIONS
DATE 12/12/00	X-BRACE FROM BLUE TO DARK BLUE	CHM	03/97
DR'N 5,5	CKD	SIDE GUARDRAIL TO OUTSIDE	WHW 03/02
AP'VD	FOOTBOARD SUPPORT,FA17R2,FA22R1,MA8	RS	09/06
TITLE			NO.
SGE 5 ROW SECTION			584-E2181

REVISIONS	BY	DATE
UPDATED TO 700 SERIES STANDARDS	GDK	2/18/13



SECTION CC

3/4" = 1'-0"

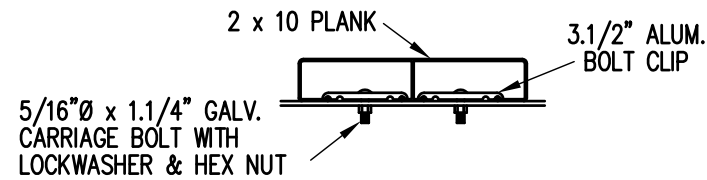


SECTION BB

3/4" = 1'-0"

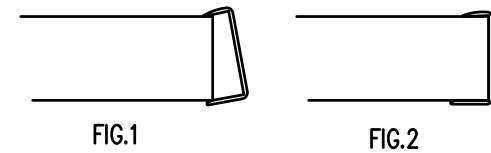
NOTE: ALL AISLE HANGERS - TWO PER LOCATION REQUIRED, TYPICAL

		P.O. BOX 118 GENEVA, ALABAMA 36340 334-684-2296	
		SCALE 3/4"=1'-0"	REVISIONS
DATE 12/08/00	AISLE NOSE COVER		WHW 03/02
DR'N 5,5 CKD	UPDATED TO 700 SERIES STANDARDS		GDK 02/13
TITLE SGE 5 ROW AISLE & STAIR SECTION			NO. 584-E1997



BOLT CLIP DETAIL

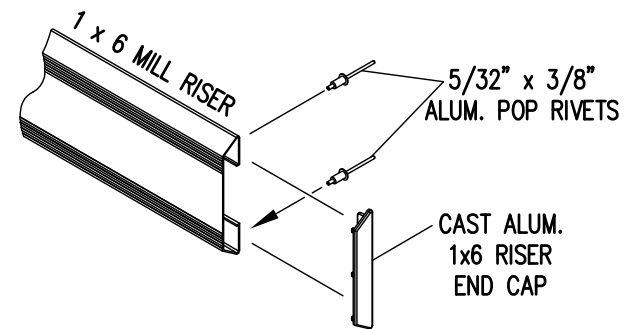
1.1/2" = 1'-0"



- 1) LOCATE THE CHANNEL END CAP AS SHOWN IN FIG. 1.
- 2) TAP END CAP INTO PLACE WITH RUBBER Mallet OR SOFT WOOD. FIG.2
- 3) DRILL 5/32" HOLES THROUGH THE BOTTOM FLANGE AND THE BOTTOM OUTSIDE PLANK FLANGES OF EACH PLANK. INSTALL 5/32" POP RIVETS.

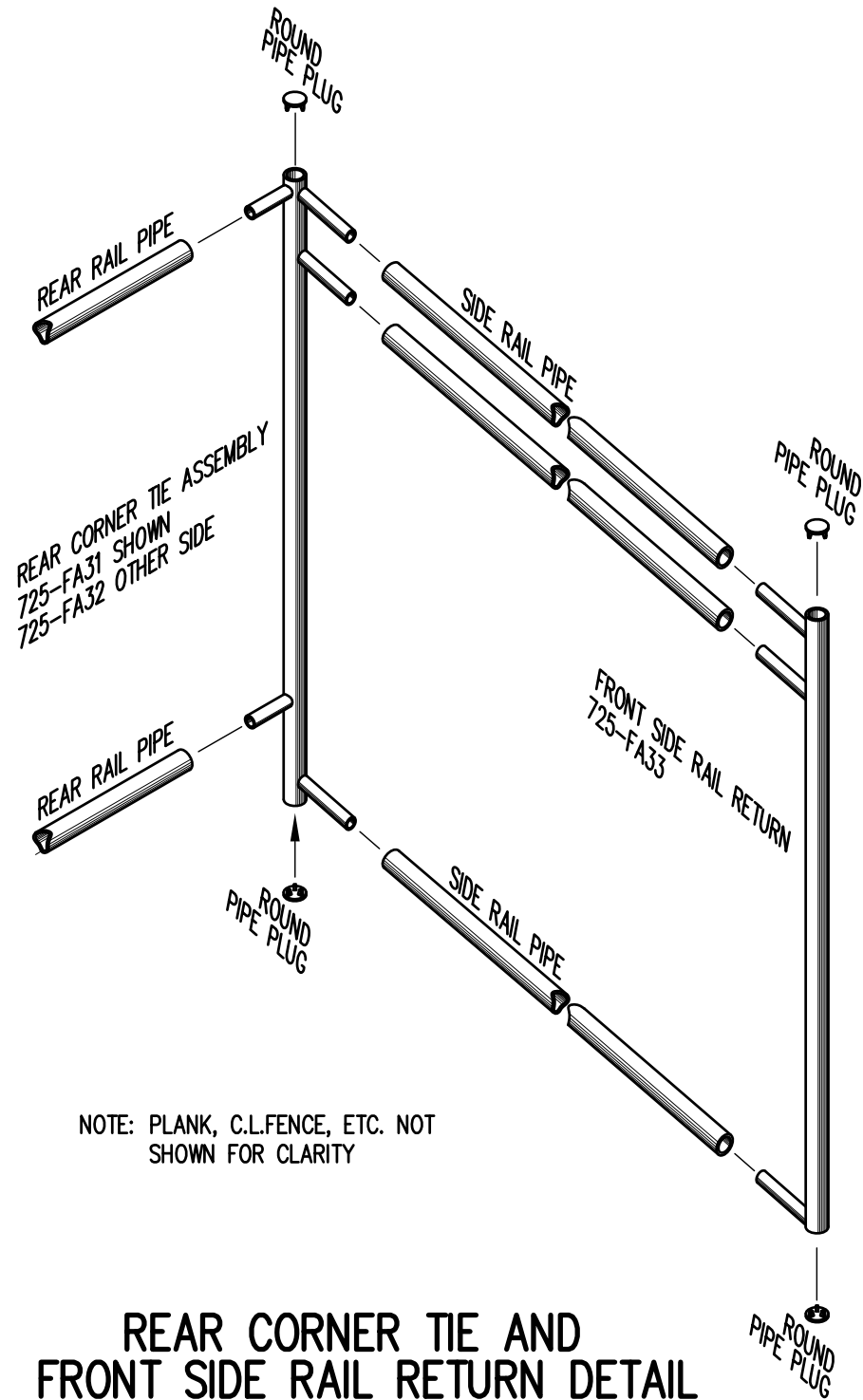
END CAP DETAIL

N.T.S.



1 x 6 RISER END CAP

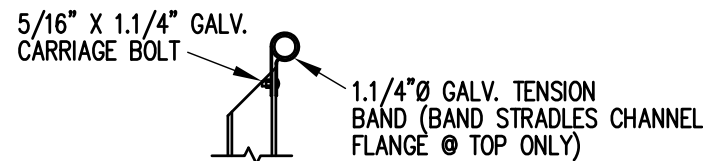
N.T.S.



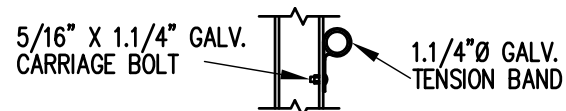
NOTE: PLANK, C.L.FENCE, ETC. NOT SHOWN FOR CLARITY

REAR CORNER TIE AND FRONT SIDE RAIL RETURN DETAIL

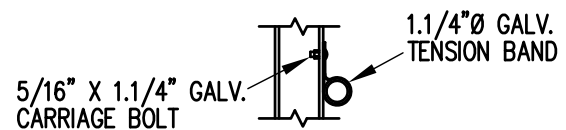
3/4" = 1'-0"



TOP RAIL

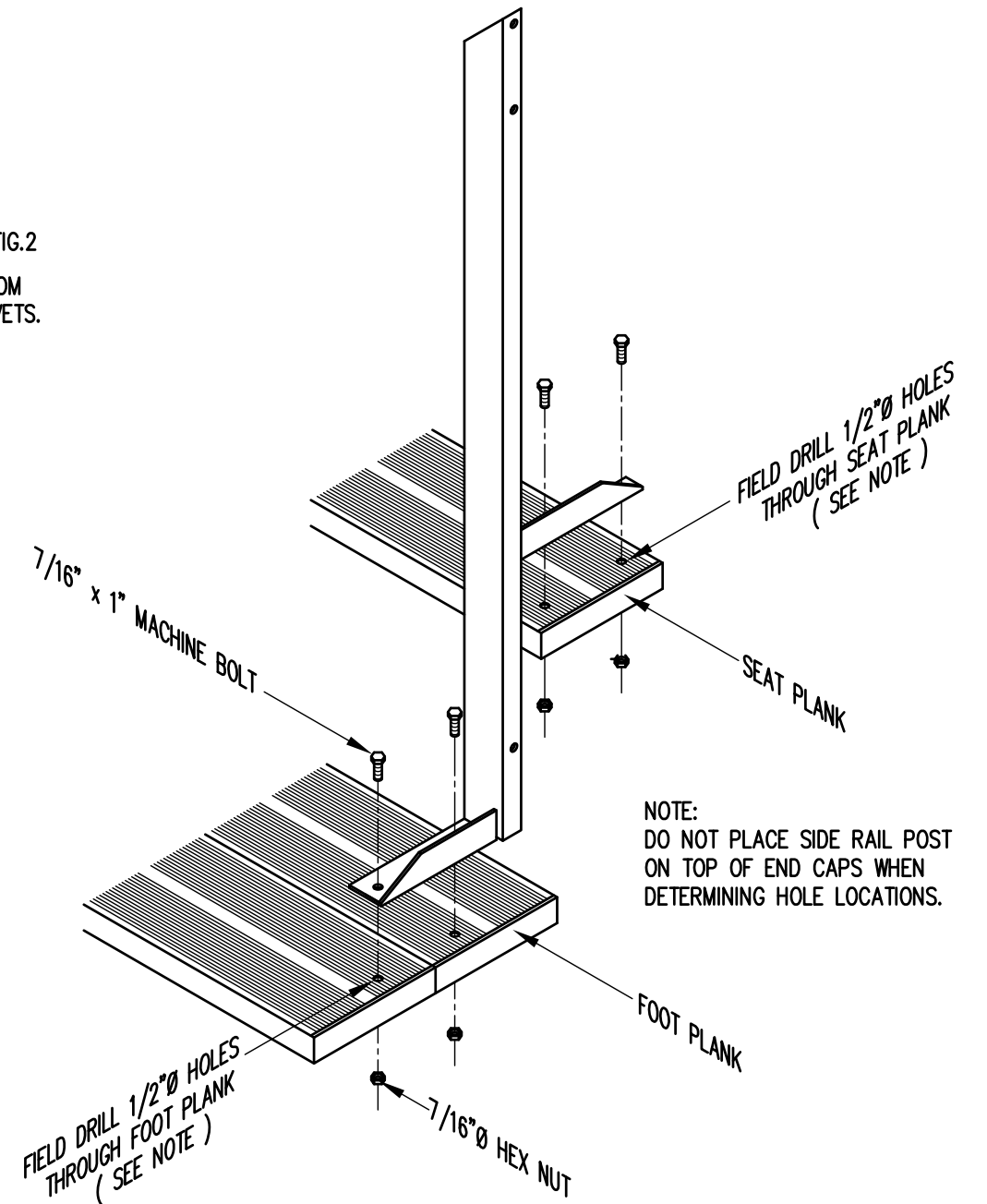


MID RAIL



LOWER RAIL

3/4" = 1'-0"



NOTE: DO NOT PLACE SIDE RAIL POST ON TOP OF END CAPS WHEN DETERMINING HOLE LOCATIONS.

TYP. SIDE RAIL POST ATTACHMENT

1" = 1'-0"

		P.O. BOX 118 GENEVA, ALABAMA 36340 334-684-2296			
		SCALE AS NOTED	REVISIONS	BY	DATE
DATE	11/2/00	SIDE GUARDRAIL TO OUTSIDE		WHW	03/02
DR'N	SS CKD	UPDATED TO 700 SERIES STANDARDS		GDK	02/13
AP'VD					
TITLE				NO.	
TYPICAL DETAILS				584-E1990	