

### SEATING PLAN

3/16" = 1'-0"

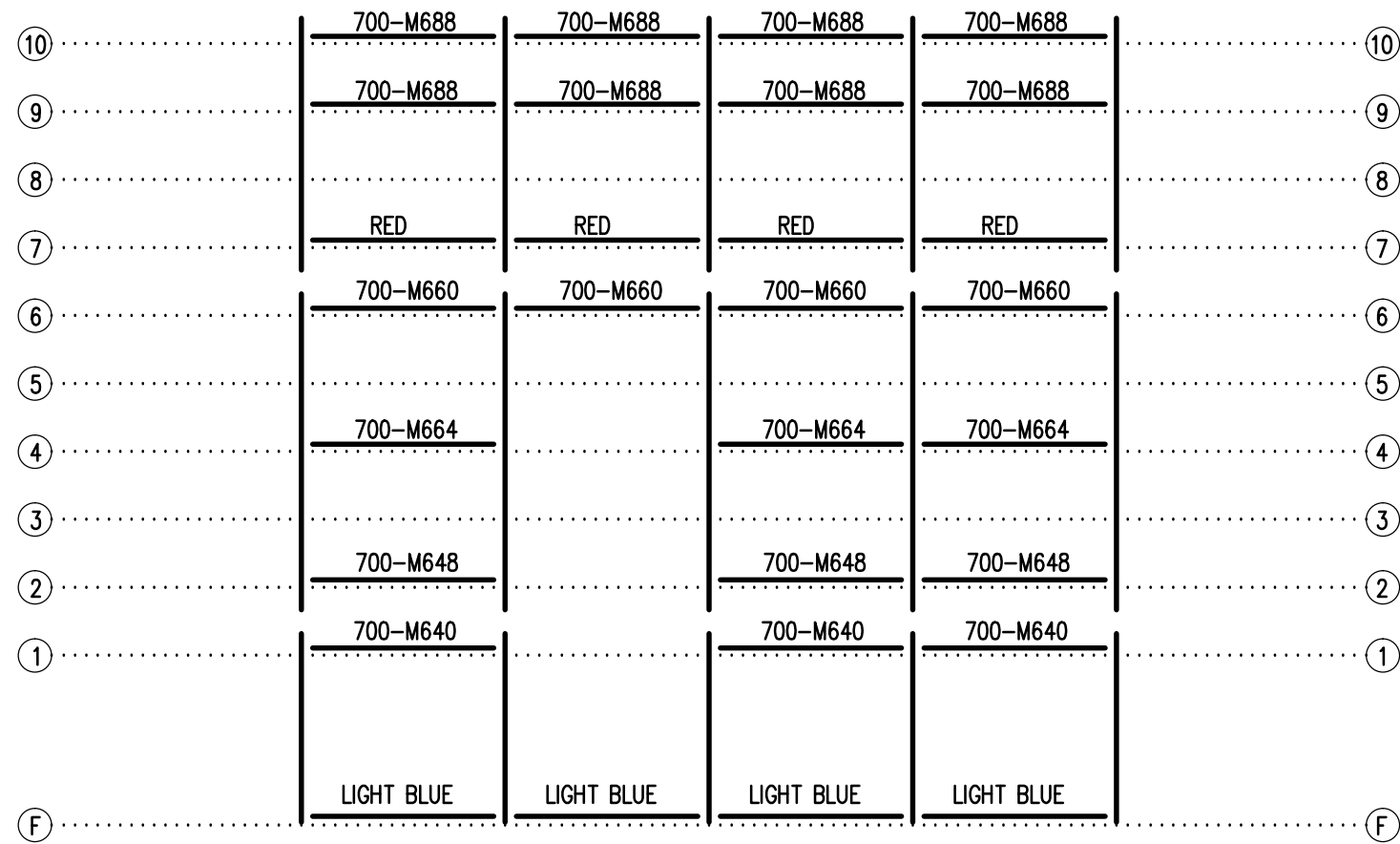
144 NET SEATS @ 18" PER SEAT



**Outdoor  
Aluminum**

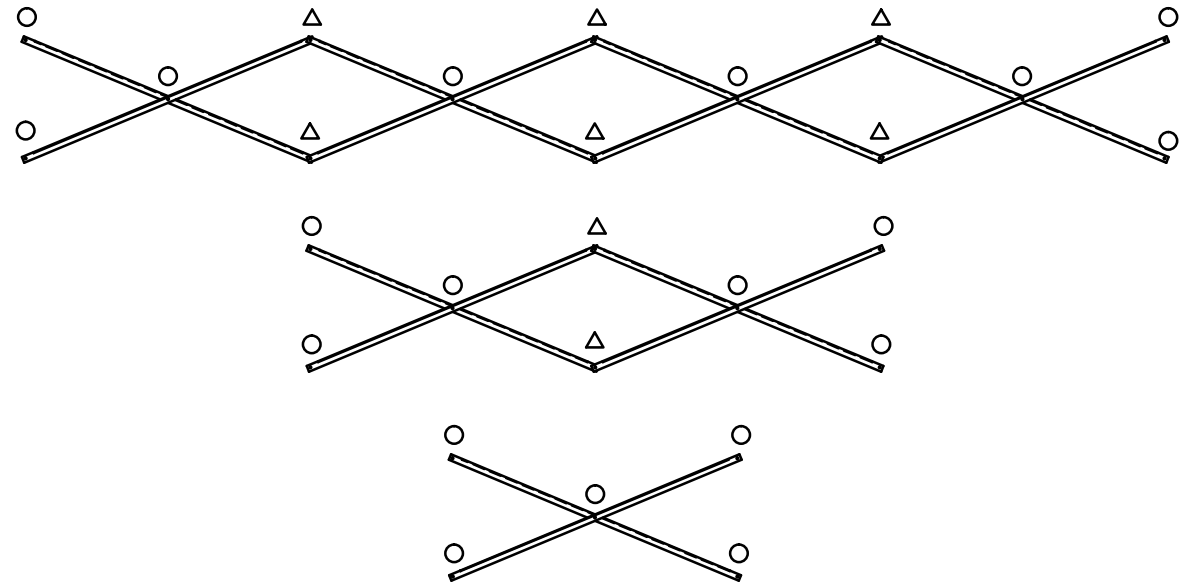
P.O. BOX 118  
GENEVA, ALABAMA 36340  
334-684-2296

SCALE	REVISIONS	BY	DATE
3/16"=1'-0"			
DATE 11/30/00	SIDE GUARDRAIL TO OUTSIDE	WHW	03/02
DR'N S.S. CKD	UPDATED TO 700 SERIES STANDARDS	GDK	02/13
AP'VD			
TITLE SGE 10-27 SEATING PLAN			NO. <b>584-E2211</b>



1'-6" → | ← 6'-0" → | ← 6'-0" → | ← 6'-0" → | ← 6'-0" → | ← 1'-6" ..... FRAME SPACING


**FRAMING PLAN**  
3/16" = 1'-0"

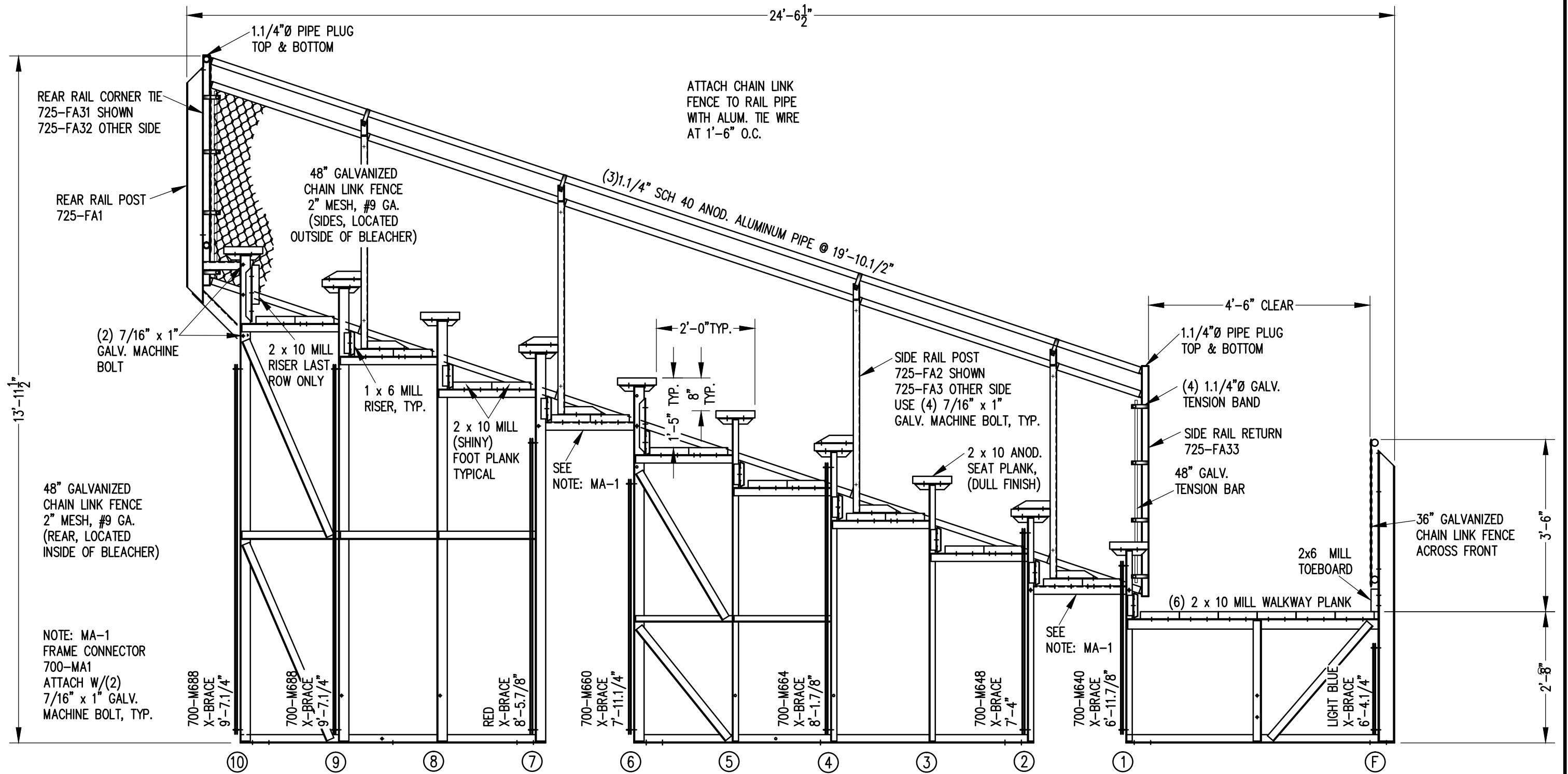


**X-BRACE DETAIL**

N.T.S.

- 7/16" X 1" GALV. MACH. BOLT
- △ 7/16" X 1.1/2" GALV. MACH. BOLT

		<b>Outdoor Aluminum</b> P.O. BOX 118 GENEVA, ALABAMA 36340 334-684-2296		
				SCALE 3/16"=1'-0"
DATE 11/13/00	UPDATED TO 700 SERIES STANDARDS		GDK	02/13
DR'N 5,5	CKD			
AP'VD				
TITLE			NO.	
SGE 10-27 FRAMING PLAN			584-E2261	

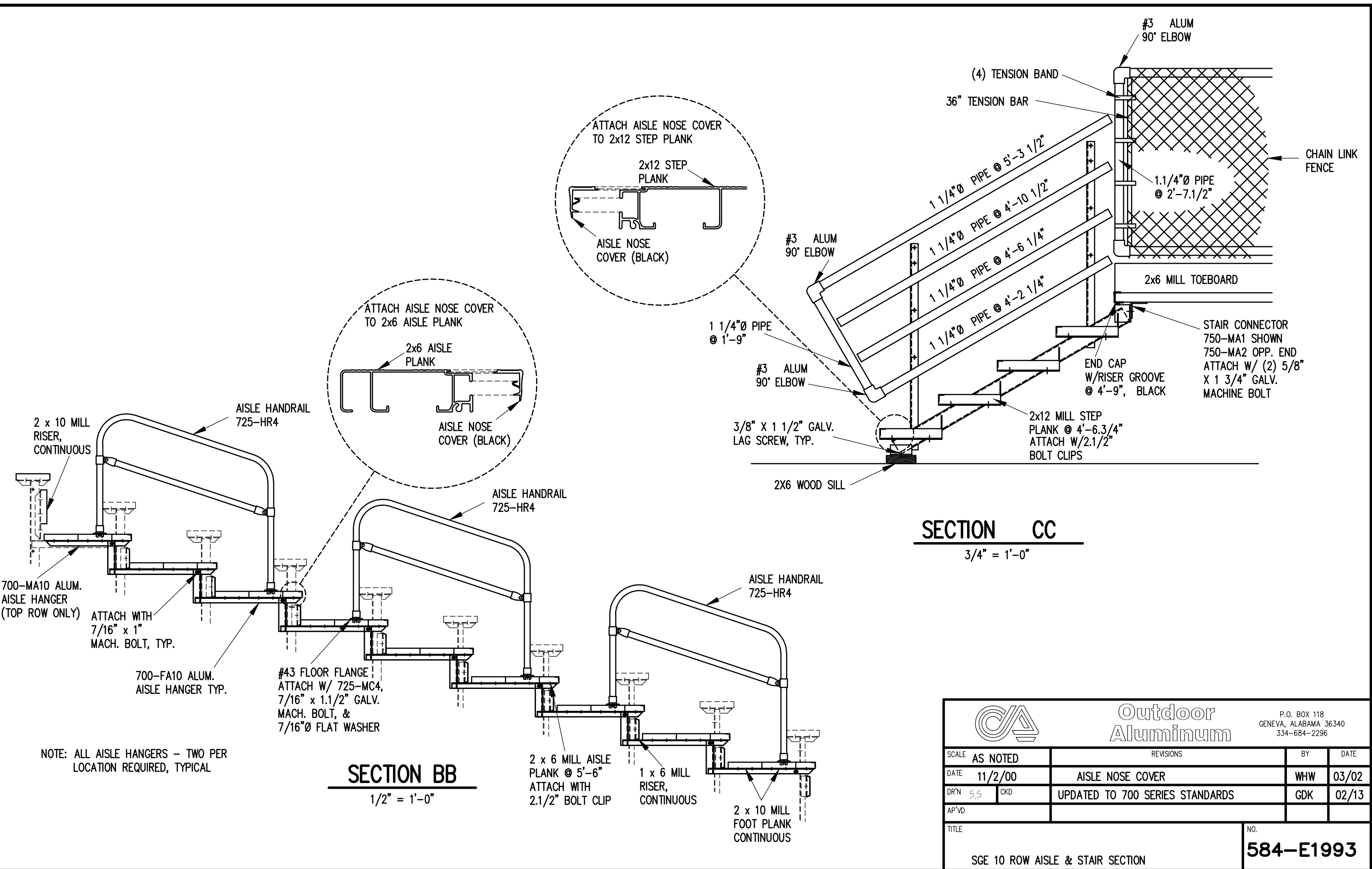


**SECTION AA**

1/2" = 1'-0"

REVISIONS	BY	DATE
UPDATED TO 700 SERIES STANDARDS	GDK	2/18/13

		P.O. BOX 118 GENEVA, ALABAMA 36340 334-684-2296	
		SCALE 1/2"=1'-0"	REVISIONS
DATE 11/2/00	X-BRACE FROM BLUE TO DARK BLUE	CHM	03/97
DR'N 5,5 CKD	SIDE GUARDRAIL TO OUTSIDE	WHW	03/02
AP'VD	FOOTBOARD SUPPORT,FA17R2,FA22R1,MA-8	RS	09/06
TITLE	SGE 10 ROW SECTION		NO. 584-E2221

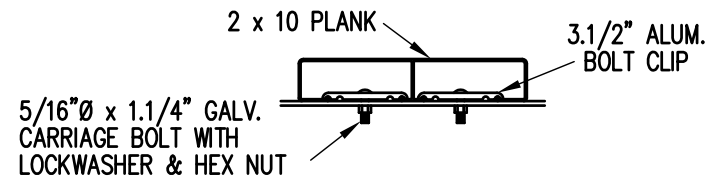


**Outdoor Aluminum**

P.O. BOX 118  
GENEVA, ALABAMA 36340  
334-684-2296

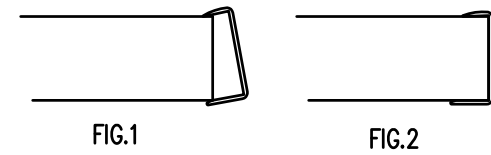
SCALE AS NOTED		REVISIONS		BY	DATE
DATE	11/2/00	AISLE NOSE COVER		WHW	03/02
DR'N	5,5 CKD	UPDATED TO 700 SERIES STANDARDS		GDK	02/13
AP'VD					
TITLE					NO.
SGE 10 ROW AISLE & STAIR SECTION					<b>584-E1993</b>

NOTE: ALL AISLE HANGERS - TWO PER LOCATION REQUIRED, TYPICAL



**BOLT CLIP DETAIL**

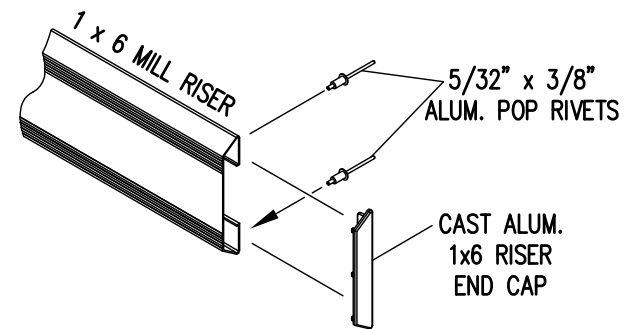
1.1/2" = 1'-0"



- 1) LOCATE THE CHANNEL END CAP AS SHOWN IN FIG. 1.
- 2) TAP END CAP INTO PLACE WITH RUBBER Mallet OR SOFT WOOD. FIG.2
- 3) DRILL 5/32" HOLES THROUGH THE BOTTOM FLANGE AND THE BOTTOM OUTSIDE PLANK FLANGES OF EACH PLANK. INSTALL 5/32" POP RIVETS.

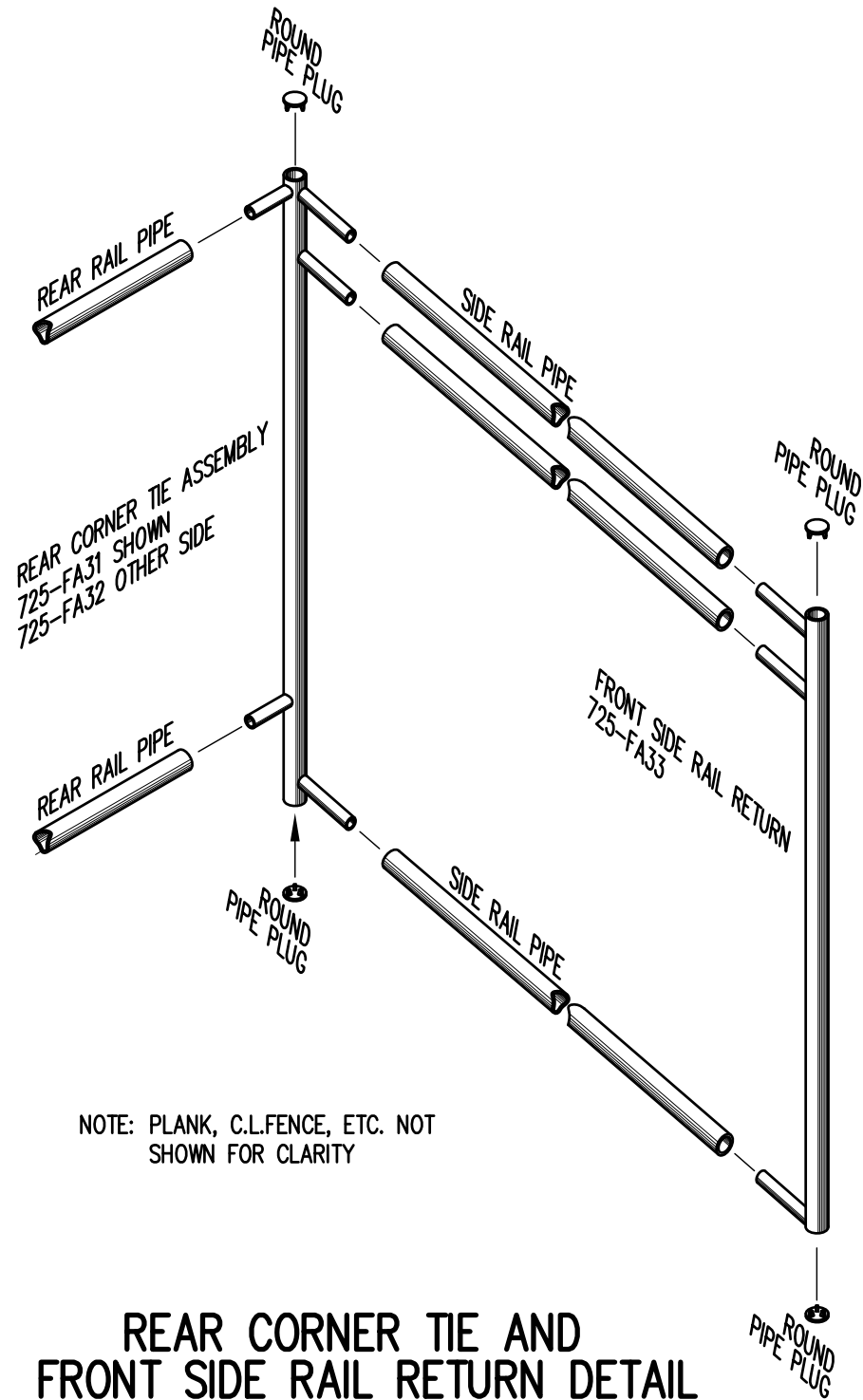
**END CAP DETAIL**

N.T.S.



**1 x 6 RISER END CAP**

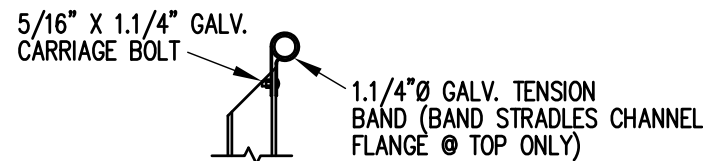
N.T.S.



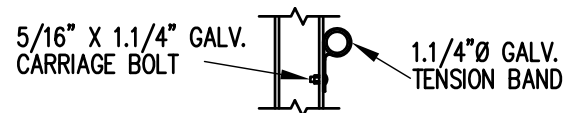
NOTE: PLANK, C.L.FENCE, ETC. NOT SHOWN FOR CLARITY

**REAR CORNER TIE AND FRONT SIDE RAIL RETURN DETAIL**

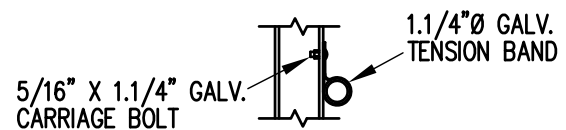
3/4" = 1'-0"



**TOP RAIL**

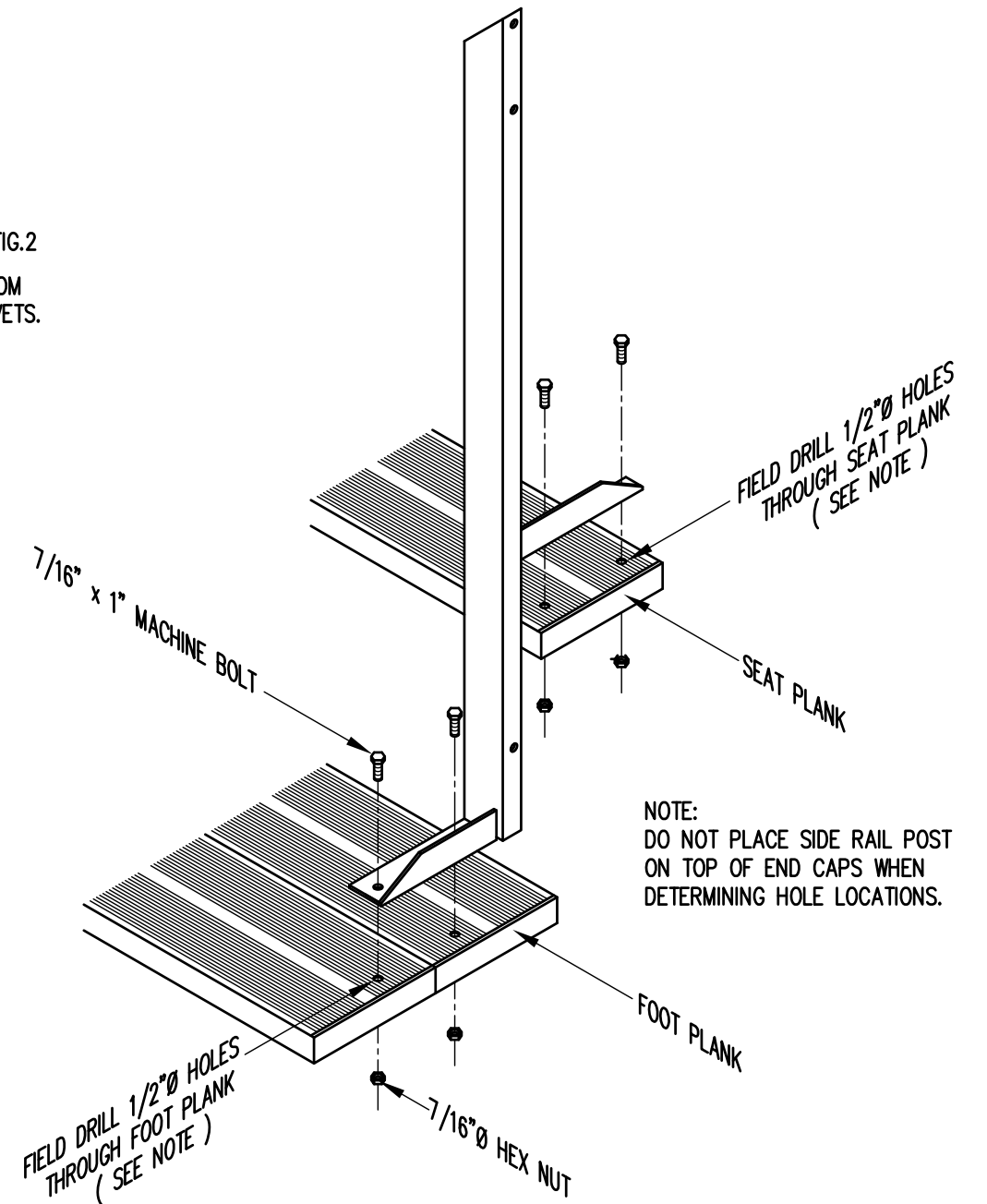


**MID RAIL**



**LOWER RAIL**

3/4" = 1'-0"



NOTE: DO NOT PLACE SIDE RAIL POST ON TOP OF END CAPS WHEN DETERMINING HOLE LOCATIONS.

**TYP. SIDE RAIL POST ATTACHMENT**

1" = 1'-0"

		P.O. BOX 118 GENEVA, ALABAMA 36340 334-684-2296			
		SCALE AS NOTED	REVISIONS	BY	DATE
DATE	11/2/00	SIDE GUARDRAIL TO OUTSIDE		WHW	03/02
DR'N	SS CKD	UPDATED TO 700 SERIES STANDARDS		GDK	02/13
AP'VD					
TITLE				NO.	
TYPICAL DETAILS				584-E1990	