

SEATING PLAN

3/16" = 1'-0"

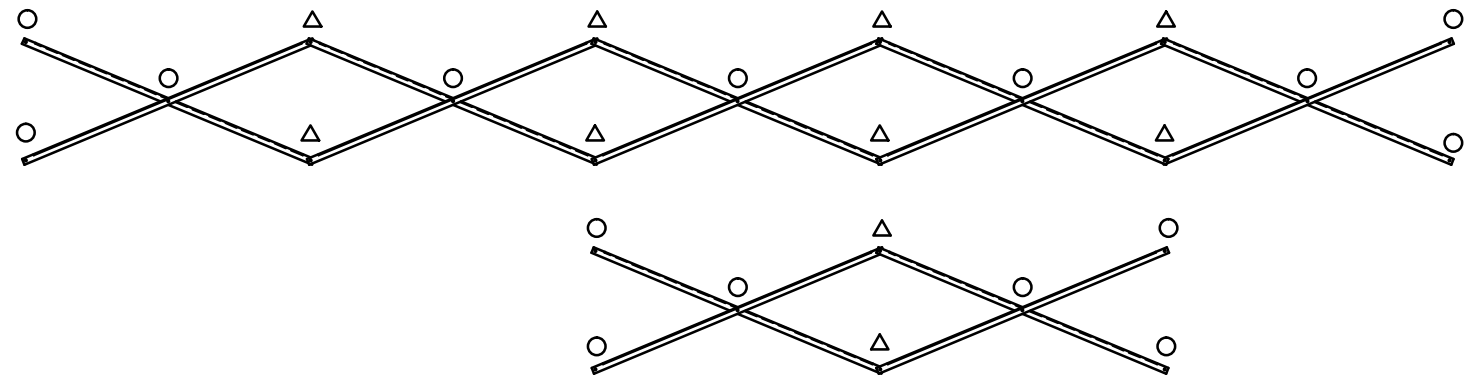
184 NET SEATS @ 18" PER SEAT



**Outdoor
Aluminum**

P.O. BOX 118
GENEVA, ALABAMA 36340
334-684-2296

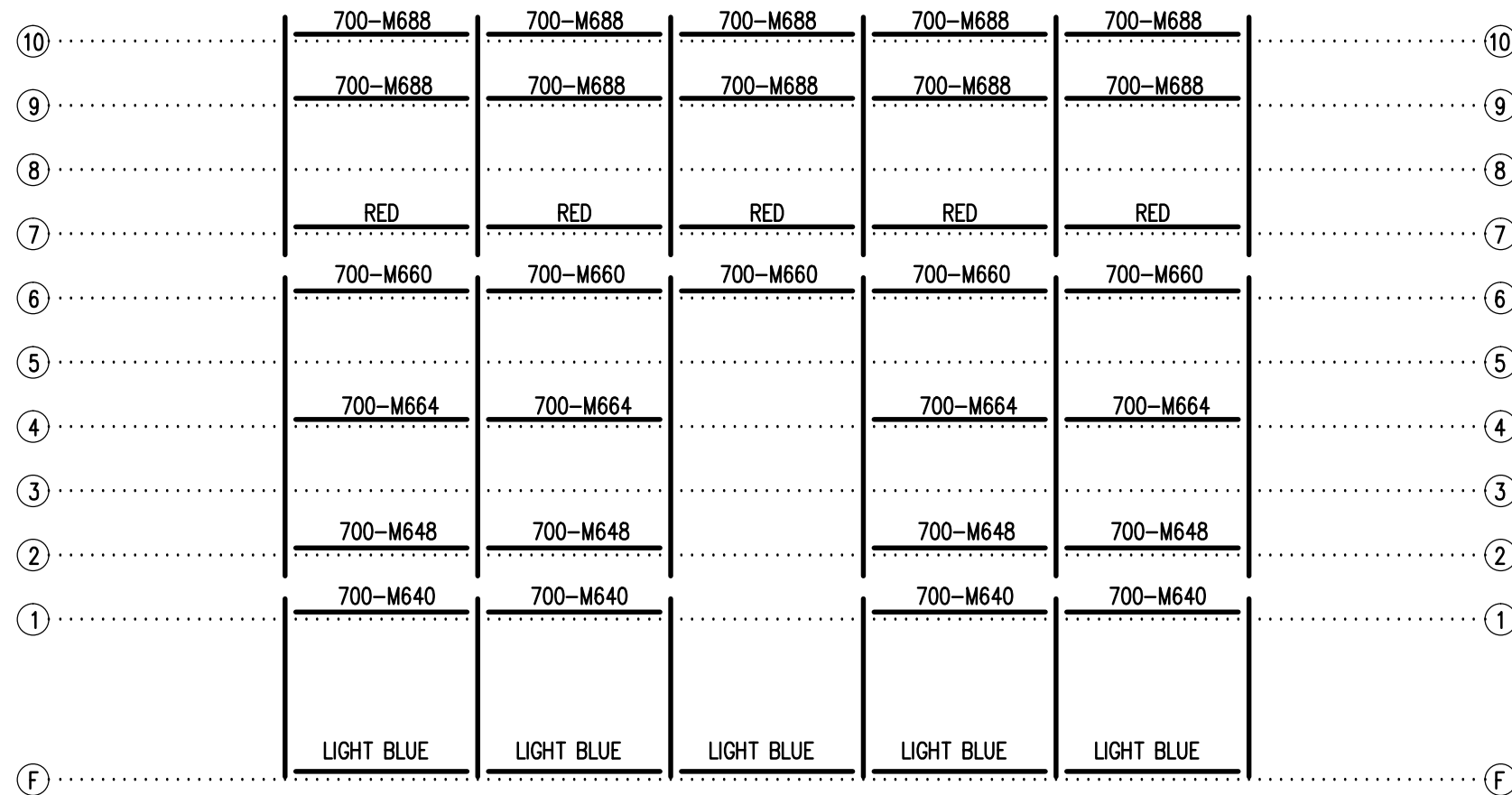
SCALE	REVISIONS	BY	DATE
3/16"=1'-0"			
DATE 11/2/00	SIDE GUARDRAIL TO OUTSIDE	WHW	03/02
DR'N 55 CKD	NET SEATS	WHW	12/06
AP'VD	UPDATED TO 700 SERIES STANDARDS	GDK	02/13
TITLE			NO.
SGE 10-33 SEATING PLAN			584-E2216



X-BRACE DETAIL

N.T.S.


- 7/16" X 1" GALV. MACH. BOLT
- △ 7/16" X 1.1/2" GALV. MACH. BOLT

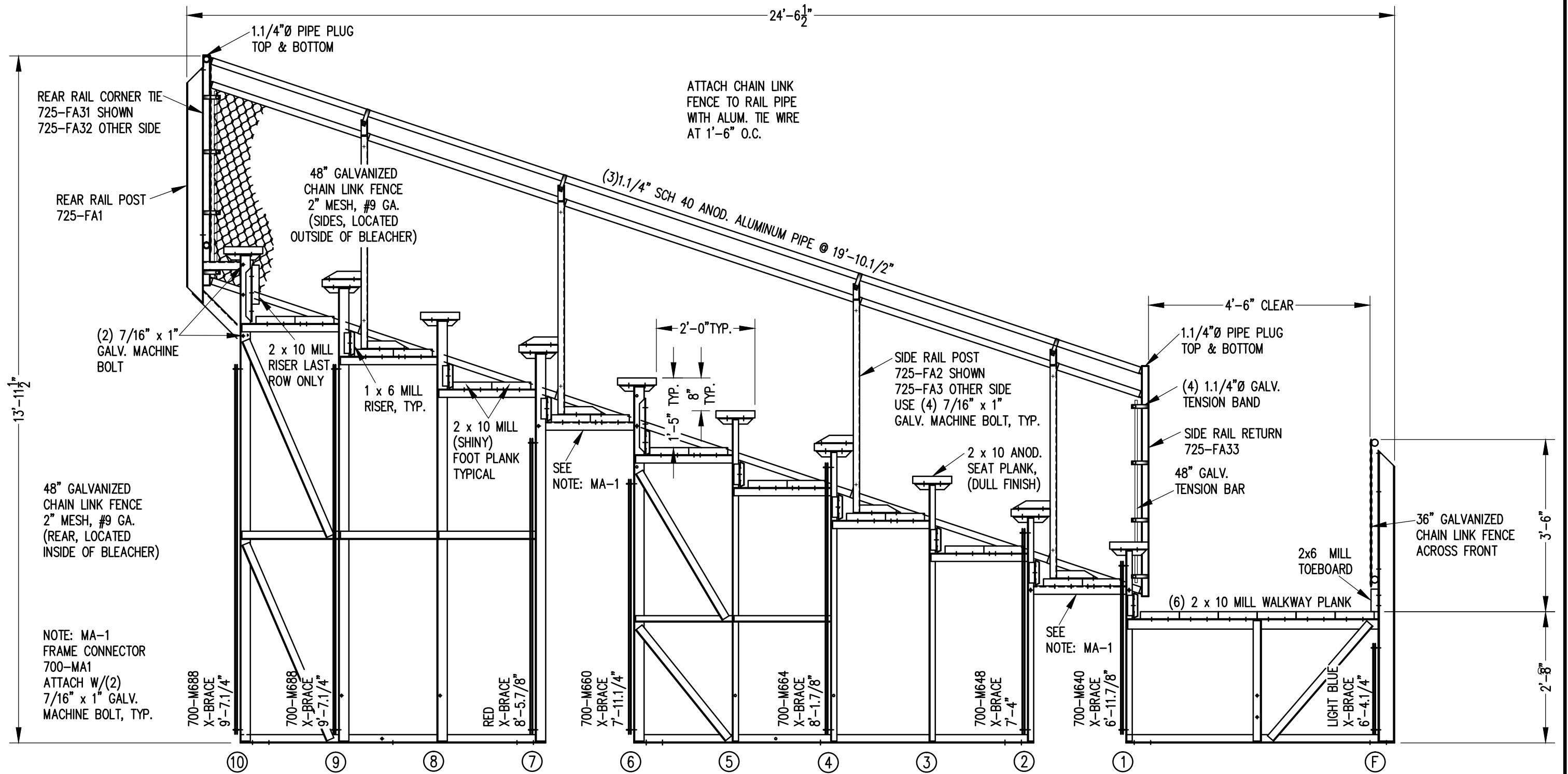


1'-6" → | ← 6'-0" → | ← 6'-0" → | ← 6'-0" → | ← 6'-0" → | ← 6'-0" → | ← 1'-6" FRAME SPACING

FRAMING PLAN

3/16" = 1'-0"

		Outdoor Aluminum <small>P.O. BOX 118 GENEVA, ALABAMA 36340 334-684-2296</small>			
				SCALE 3/16"=1'-0"	REVISIONS
DATE 11/2/00		UPDATED TO 700 SERIES STANDARDS		GDK	02/13
DR'N SS	CKD				
AP'VD					
TITLE				NO.	
SGE 10-33 FRAMING PLAN				584-E2266	



SECTION AA

1/2" = 1'-0"



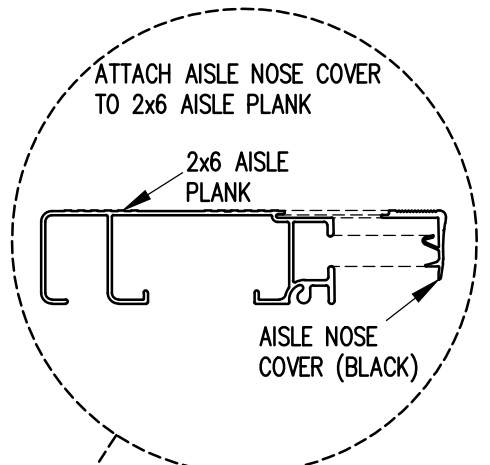
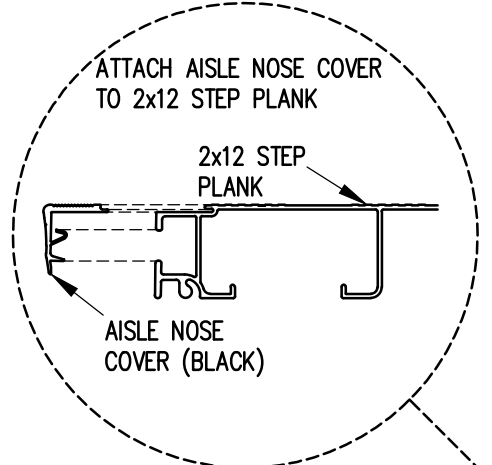
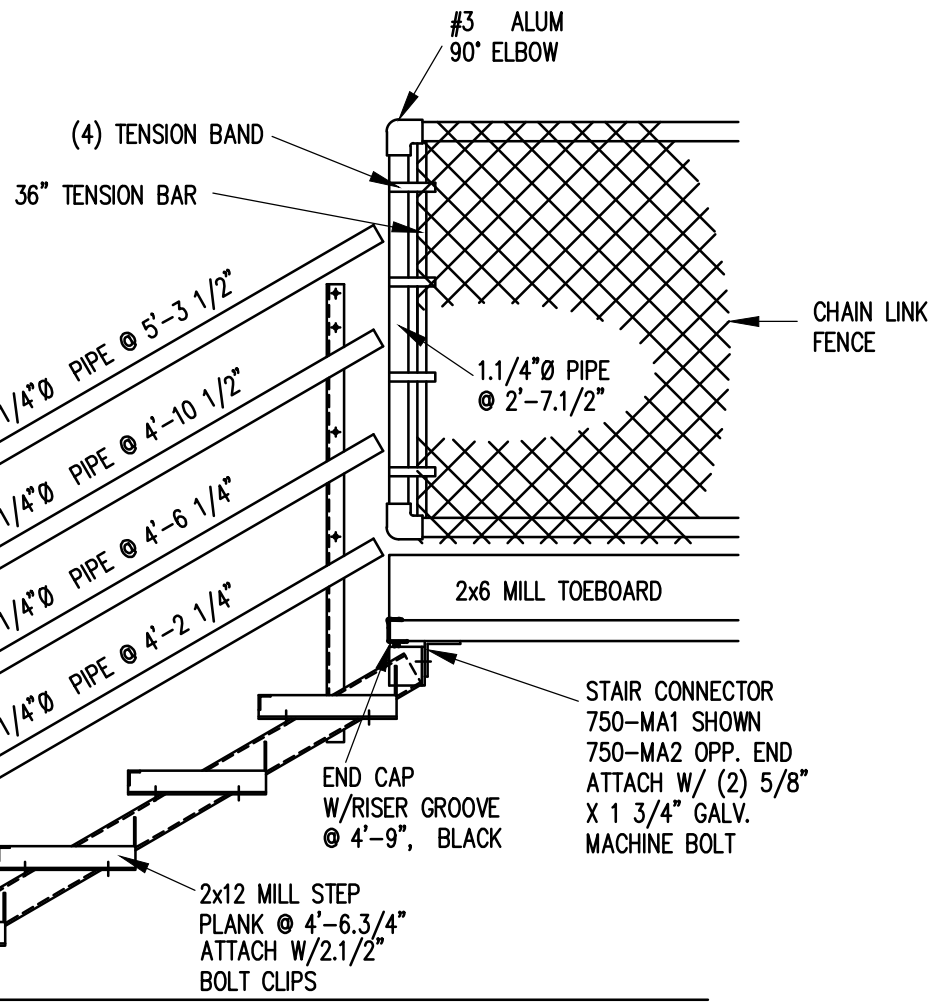
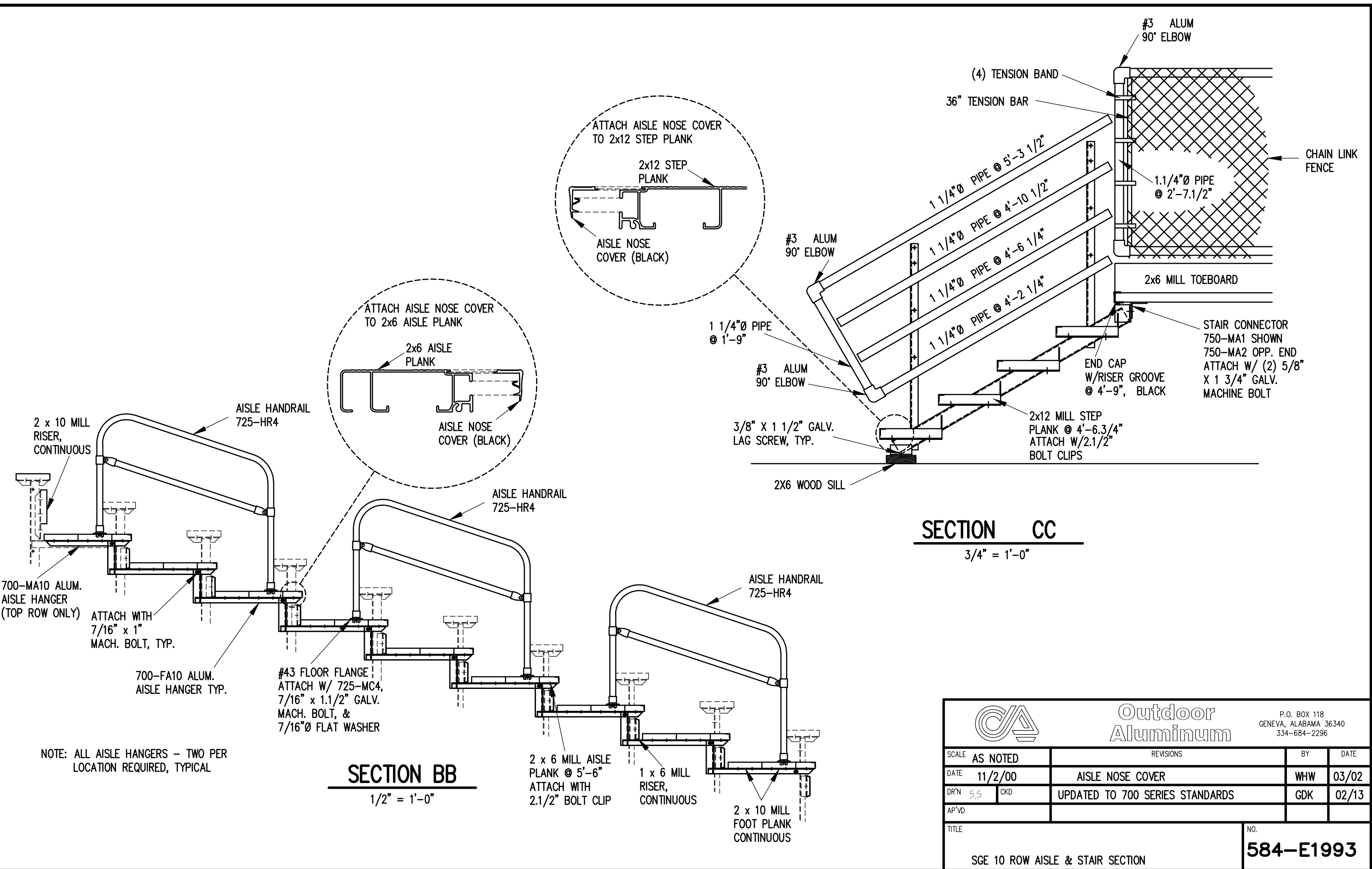
Outdoor Aluminum

P.O. BOX 118
GENEVA, ALABAMA 36340
334-684-2296

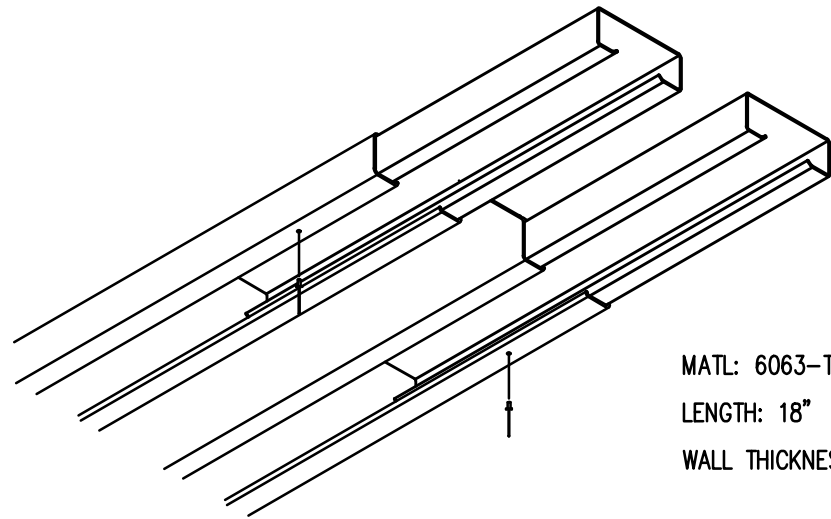
SCALE	REVISIONS	BY	DATE
1/2" = 1'-0"			
DATE			
11/2/00	X-BRACE FROM BLUE TO DARK BLUE	CHM	03/97
DR'N			
5,5	SIDE GUARDRAIL TO OUTSIDE	WHW	03/02
AP'VD			
	FOOTBOARD SUPPORT, FA17R2, FA22R1, MA-8	RS	09/06

REVISIONS	BY	DATE
UPDATED TO 700 SERIES STANDARDS	GDK	2/18/13

TITLE	NO.
SGE 10 ROW SECTION	584-E2221



		Outdoor Aluminum P.O. BOX 118 GENEVA, ALABAMA 36340 334-684-2296		
				SCALE AS NOTED
DATE 11/2/00	AISLE NOSE COVER		WHW	03/02
DR'N 5,5	CKD	UPDATED TO 700 SERIES STANDARDS	GDK	02/13
TITLE			NO.	
SGE 10 ROW AISLE & STAIR SECTION			584-E1993	



MATL: 6063-T6 ALUMN.
 LENGTH: 18"
 WALL THICKNESS: .062"

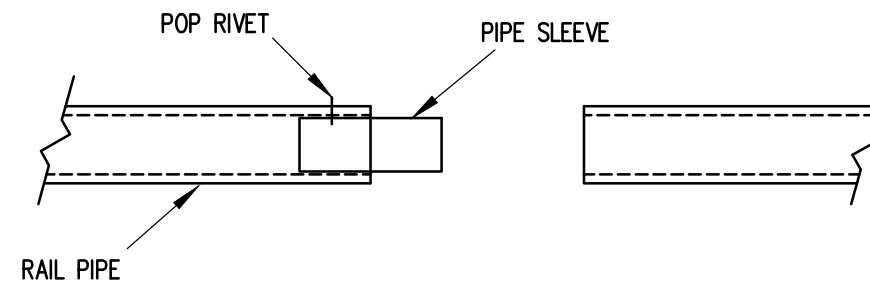
1) INSERT SLEEVES APPROXIMATELY HALFWAY INTO THE PLANK WITH THE ENDS STAGGERED ABOUT 1/2". FASTEN SLEEVE WITH (1) ALUMINUM POP RIVET.

2) SLIDE THE END OF THE ADJOINING PLANK OVER THE SLEEVES UNTIL THE TWO PLANKS ARE SNUG.

NOTE: SLEEVES SHOULD BE ATTACHED ON ONLY ONE END TO ALLOW FOR EXPANSION.

PLANK SPLICE SLEEVE ASSEMBLY

(TYP. @ ALL PLANK SPLICES)




PIPE SLEEVE ASSEMBLY

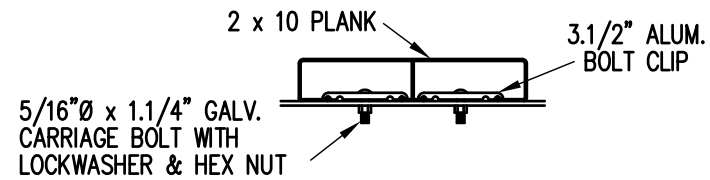
1.1/2" = 1' 0"

1) INSERT PIPE SLEEVE APPROXIMATELY HALFWAY INTO THE RAIL PIPE. FASTEN PIPE SLEEVE WITH (1) ALUMINUM POP RIVET (5/32" X 5/8")

2) SLIDE THE END OF THE ADJOINING RAILPIPE OVER THE PIPE SLEEVE UNTIL THE TWO RAILS ARE FLUSH.

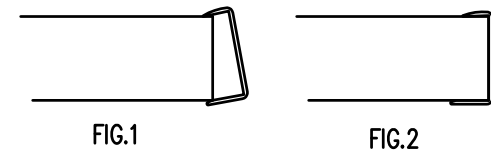
NOTE: PIPE SLEEVES SHOULD BE ATTACHED ON ONLY ONE END TO ALLOW FOR EXPANSION.

		Outdoor Aluminum P.O. BOX 118 GENEVA, ALABAMA 36340 334-684-2296			
				SCALE	AS NOTED
DATE	11/6/00	UPDATED TO 700 SERIES STANDARDS		GDK	02/13
DR'N	SS	CKD			
AP'VD					
TITLE					NO.
SPLICE SLEEVE ASSEMBLY					584-E1994



BOLT CLIP DETAIL

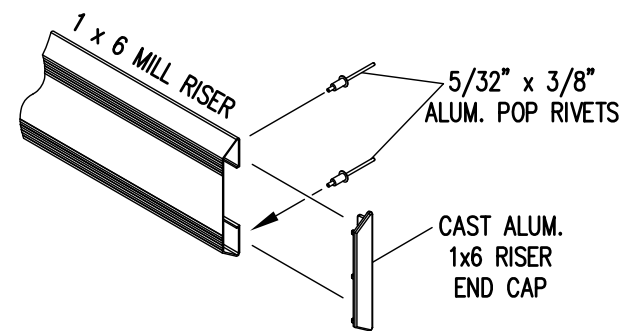
1.1/2" = 1'-0"



- 1) LOCATE THE CHANNEL END CAP AS SHOWN IN FIG. 1.
- 2) TAP END CAP INTO PLACE WITH RUBBER Mallet OR SOFT WOOD. FIG.2
- 3) DRILL 5/32" HOLES THROUGH THE BOTTOM FLANGE AND THE BOTTOM OUTSIDE PLANK FLANGES OF EACH PLANK. INSTALL 5/32" POP RIVETS.

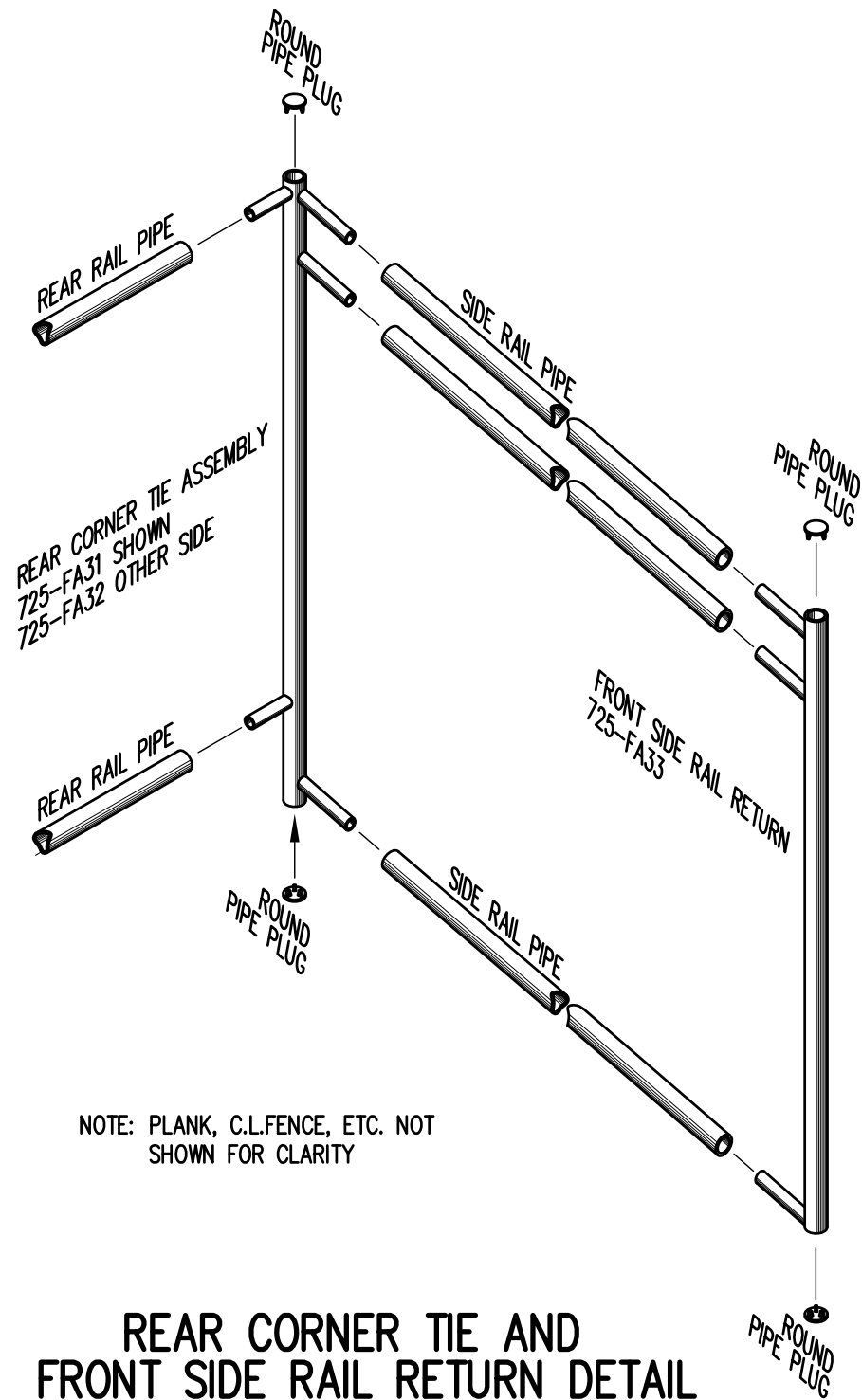
END CAP DETAIL

N.T.S.



1 x 6 RISER END CAP

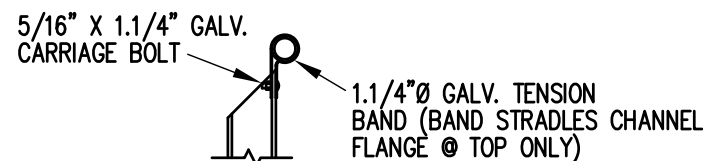
N.T.S.



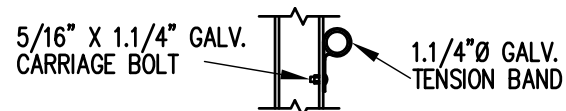
NOTE: PLANK, C.L.FENCE, ETC. NOT SHOWN FOR CLARITY

REAR CORNER TIE AND FRONT SIDE RAIL RETURN DETAIL

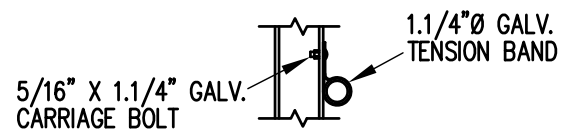
3/4" = 1'-0"



TOP RAIL

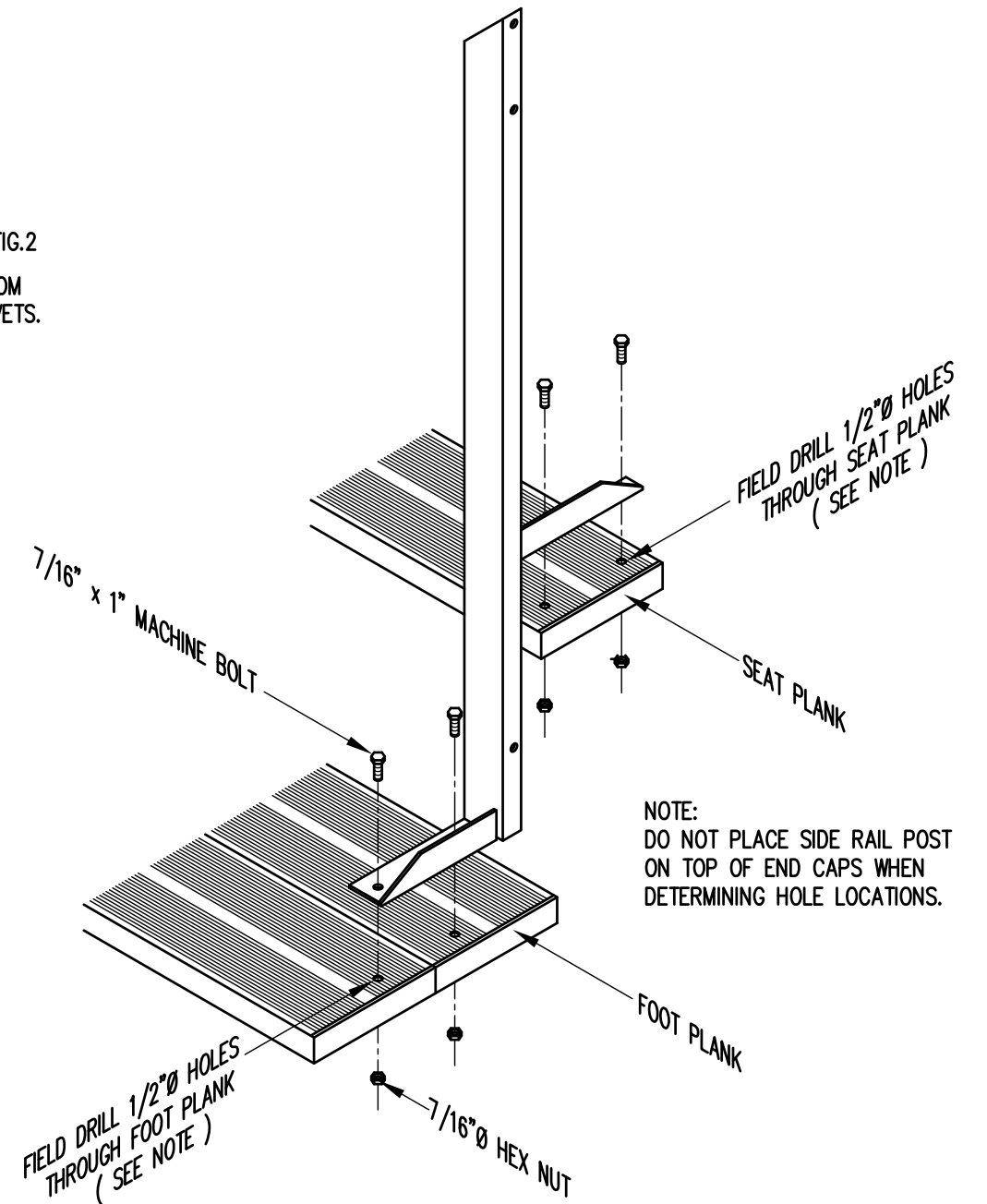


MID RAIL



LOWER RAIL

3/4" = 1'-0"



NOTE: DO NOT PLACE SIDE RAIL POST ON TOP OF END CAPS WHEN DETERMINING HOLE LOCATIONS.

TYP. SIDE RAIL POST ATTACHMENT

1" = 1'-0"

		P.O. BOX 118 GENEVA, ALABAMA 36340 334-684-2296			
		SCALE AS NOTED	REVISIONS	BY	DATE
DATE	11/2/00	SIDE GUARDRAIL TO OUTSIDE		WHW	03/02
DR'N	SS CKD	UPDATED TO 700 SERIES STANDARDS		GDK	02/13
AP'VD					
TITLE				NO.	
TYPICAL DETAILS				584-E1990	