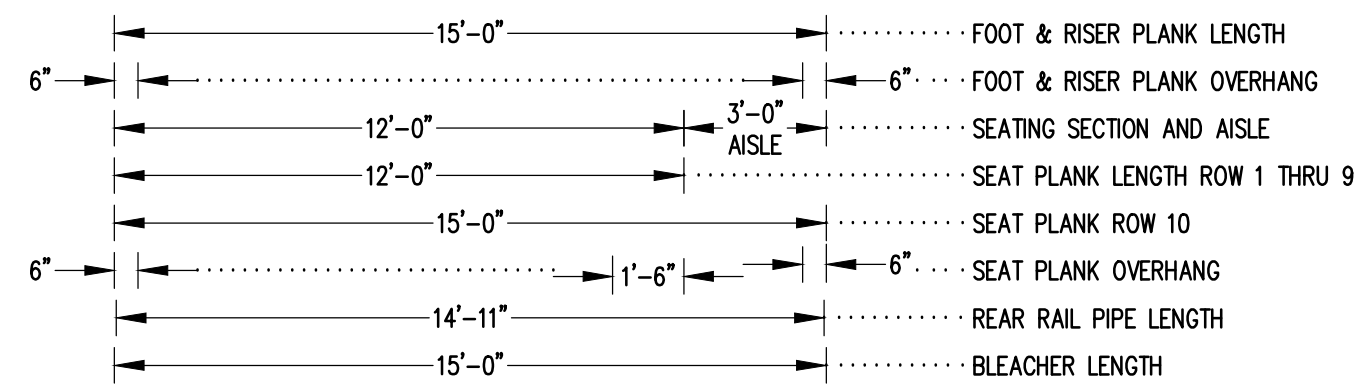
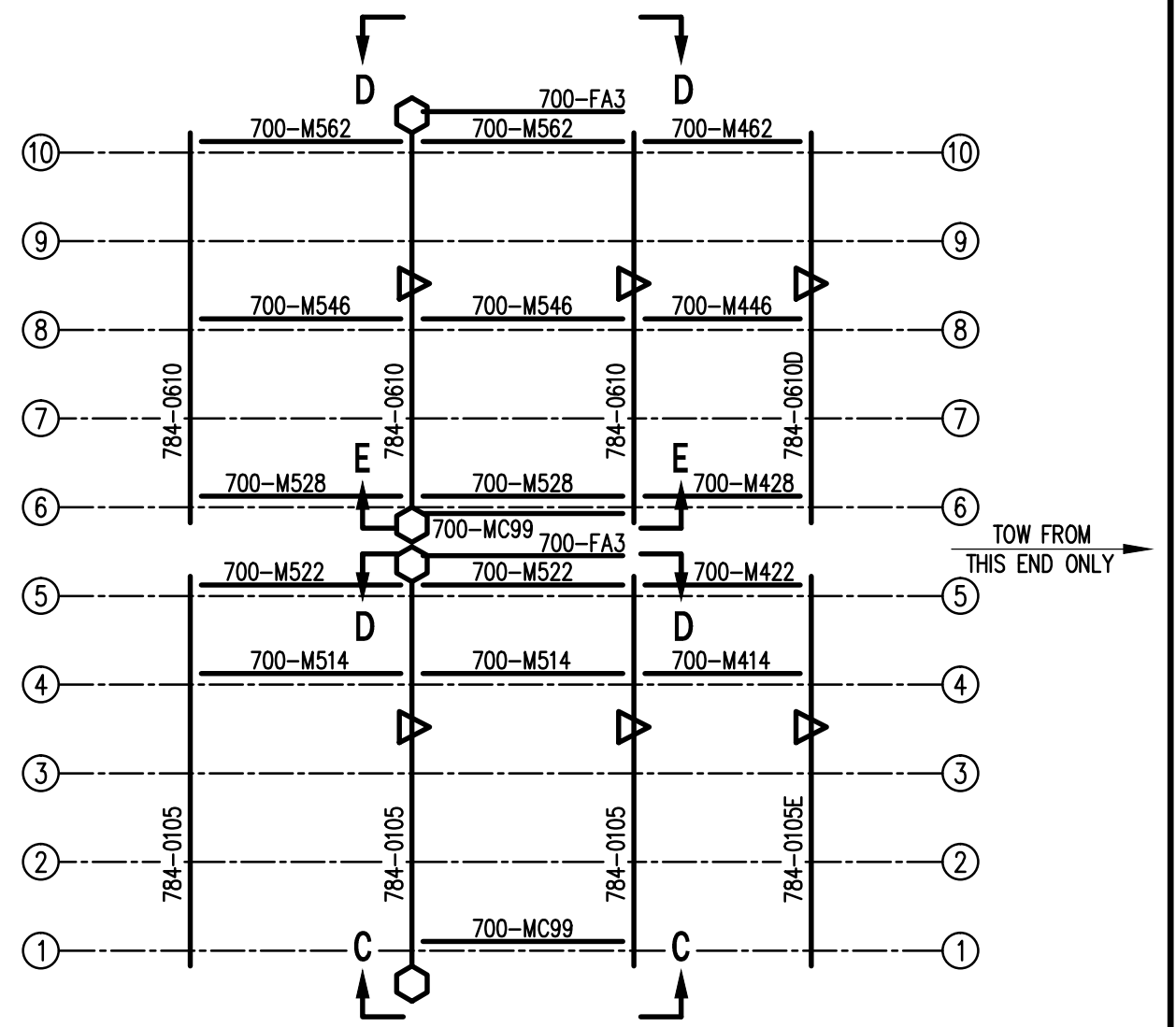
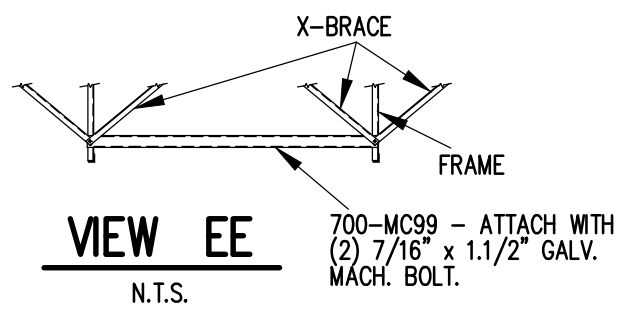
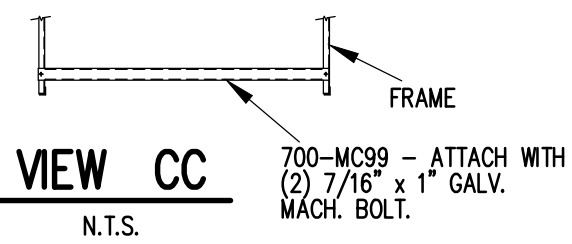


**X-BRACE DETAIL**

N.T.S.

- 7/16" X 1" GALV. MACH. BOLT
- △ 7/16" X 1.1/2" GALV. MACH. BOLT



**SEATING PLAN**

1/4" = 1'-0"

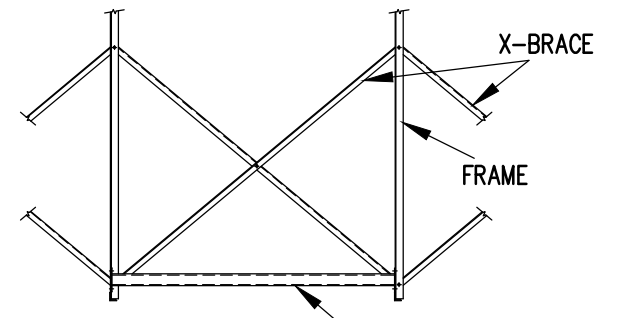
82 NET SEATS @ 18" PER SEAT



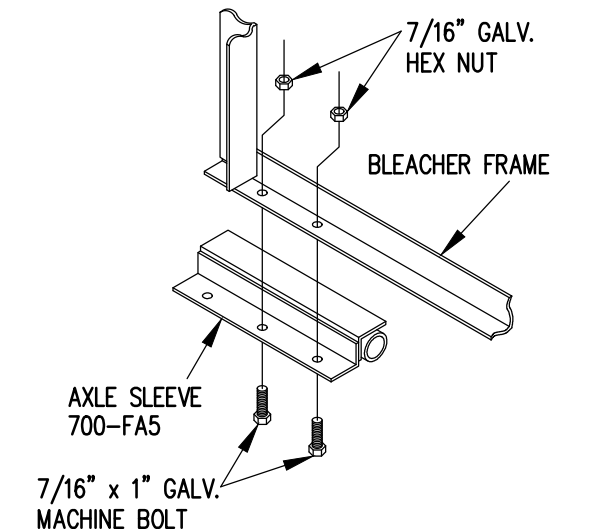
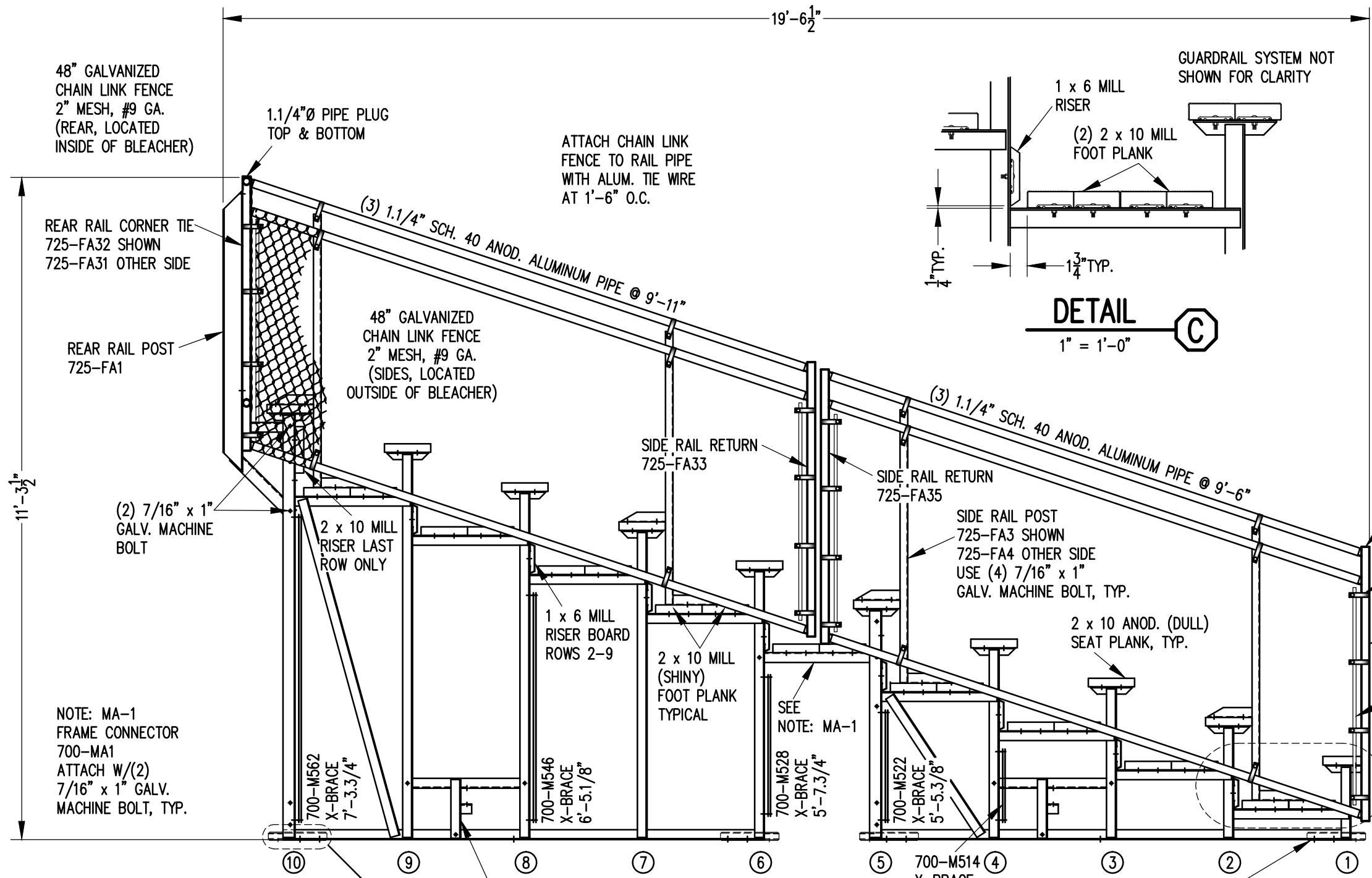
**FRAMING PLAN**

1/4" = 1'-0"

- DENOTES AXLE SLEEVE LOCATIONS
- △ DENOTES TONGUE GUIDE LOCATIONS



		P.O. BOX 118 GENEVA, ALABAMA 36340 334-684-2296	
		SCALE AS NOTED	REVISIONS
DATE 11/2/11			
DR'N GPK CKD			
AP'VD			
TITLE			NO.
TDLW 10-15 SEATING/FRAMING PLAN W/ END AISLE			<b>784-E2104</b>

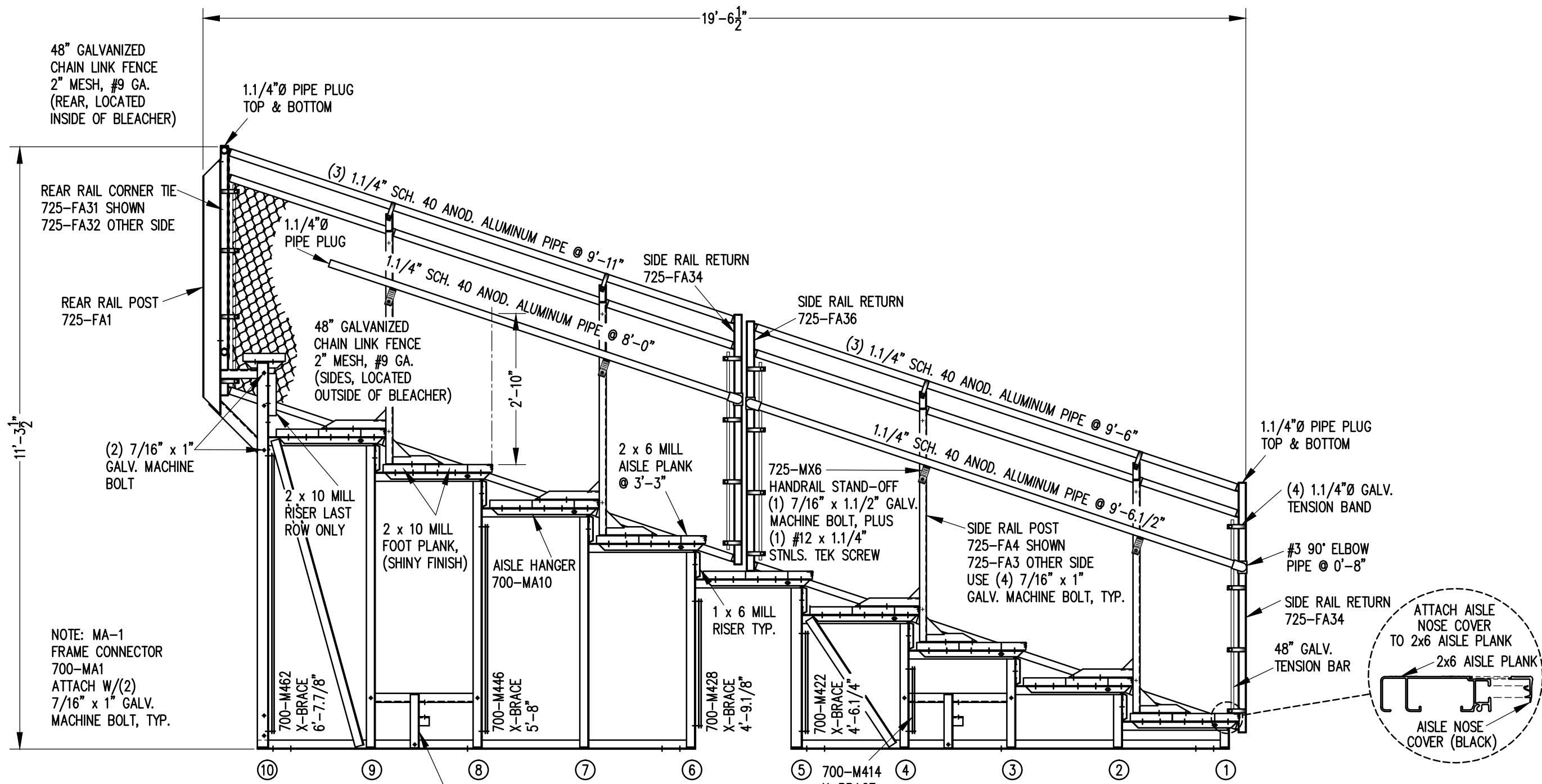


'T' TONGUE GUIDE 700-FA1 ATTACH WITH (3) 7/16" x 1" GALV. MACHINE BOLT, TYP. SEE FRAMING PLAN FOR LOCATIONS

**VIEW AA**  
1/2" = 1'-0"

AXLE SLEEVE 700-FA5 ATTACH WITH (2) 7/16" x 1" GALV. MACHINE BOLT, TYP. SEE FRAMING PLAN FOR LOCATIONS

		Outdoor Aluminum P.O. BOX 118 GENEVA, ALABAMA 36340 334-684-2296	
		SCALE AS NOTED	REVISIONS
DATE 11/2/11			
DR'N GPK	CKD		
AP'VD			
TITLE			NO.
TDLW 10 ROW VIEW (15'-0" W/ END AISLE)			784-E2127



48" GALVANIZED  
CHAIN LINK FENCE  
2" MESH, #9 GA.  
(REAR, LOCATED  
INSIDE OF BLEACHER)

REAR RAIL CORNER TIE  
725-FA31 SHOWN  
725-FA32 OTHER SIDE

REAR RAIL POST  
725-FA1

(2) 7/16" x 1"  
GALV. MACHINE  
BOLT

1.1/4"Ø PIPE PLUG  
TOP & BOTTOM

(3) 1.1/4" SCH. 40 ANOD. ALUMINUM PIPE @ 9'-11"  
1.1/4"Ø PIPE PLUG  
1.1/4" SCH. 40 ANOD. ALUMINUM PIPE @ 8'-0"

48" GALVANIZED  
CHAIN LINK FENCE  
2" MESH, #9 GA.  
(SIDES, LOCATED  
OUTSIDE OF BLEACHER)

SIDE RAIL RETURN  
725-FA34

SIDE RAIL RETURN  
725-FA36

(3) 1.1/4" SCH. 40 ANOD. ALUMINUM PIPE @ 9'-6"  
1.1/4" SCH. 40 ANOD. ALUMINUM PIPE @ 9'-6 1/2"

1.1/4"Ø PIPE PLUG  
TOP & BOTTOM

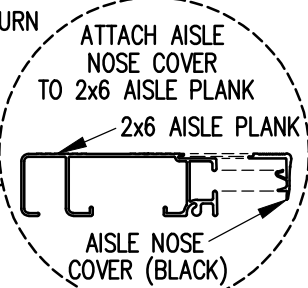
(4) 1.1/4"Ø GALV.  
TENSION BAND

#3 90° ELBOW  
PIPE @ 0'-8"

SIDE RAIL POST  
725-FA4 SHOWN  
725-FA3 OTHER SIDE  
USE (4) 7/16" x 1"  
GALV. MACHINE BOLT, TYP.

SIDE RAIL RETURN  
725-FA34

48" GALV.  
TENSION BAR



NOTE: MA-1  
FRAME CONNECTOR  
700-MA1  
ATTACH W/(2)  
7/16" x 1" GALV.  
MACHINE BOLT, TYP.

700-M462  
X-BRACE  
6'-7 7/8"

700-M446  
X-BRACE  
5'-8"

700-M428  
X-BRACE  
4'-9 1/8"

700-M422  
X-BRACE  
4'-6 1/4"

700-M414  
X-BRACE  
4'-3 1/2"

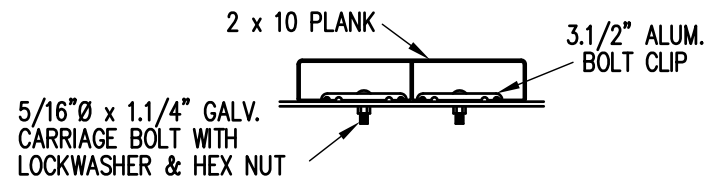
NOTE: ALL AISLE HANGERS - THREE PER  
LOCATION REQUIRED, TYPICAL

1" TONGUE GUIDE  
700-FA1  
ATTACH WITH (3)  
7/16" x 1" GALV.  
MACHINE BOLT, TYP.  
SEE FRAMING PLAN  
FOR LOCATIONS

**SECTION BB**

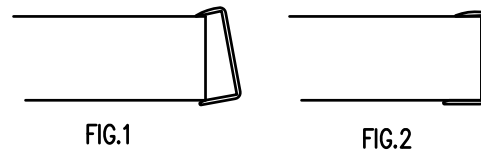
1/2" = 1'-0"

		P.O. BOX 118 GENEVA, ALABAMA 36340 334-684-2296	
		SCALE AS NOTED	REVISIONS
DATE 11/2/11	DR'N CDK CKD		
AP'VD			
TITLE TDLW 10 ROW SECTION (15'-0" W/ END AISLE)		NO. <b>784-E2128</b>	



**BOLT CLIP DETAIL**

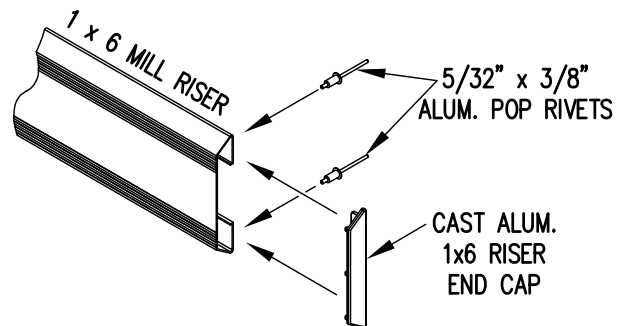
1.1/2" = 1'-0"



- 1) LOCATE THE CHANNEL END CAP AS SHOWN IN FIG. 1.
- 2) TAP END CAP INTO PLACE WITH RUBBER Mallet OR SOFT WOOD. FIG.2
- 3) DRILL 5/32" HOLES THROUGH THE BOTTOM FLANGE AND THE BOTTOM OUTSIDE PLANK FLANGES OF EACH PLANK. INSTALL 5/32" POP RIVETS.

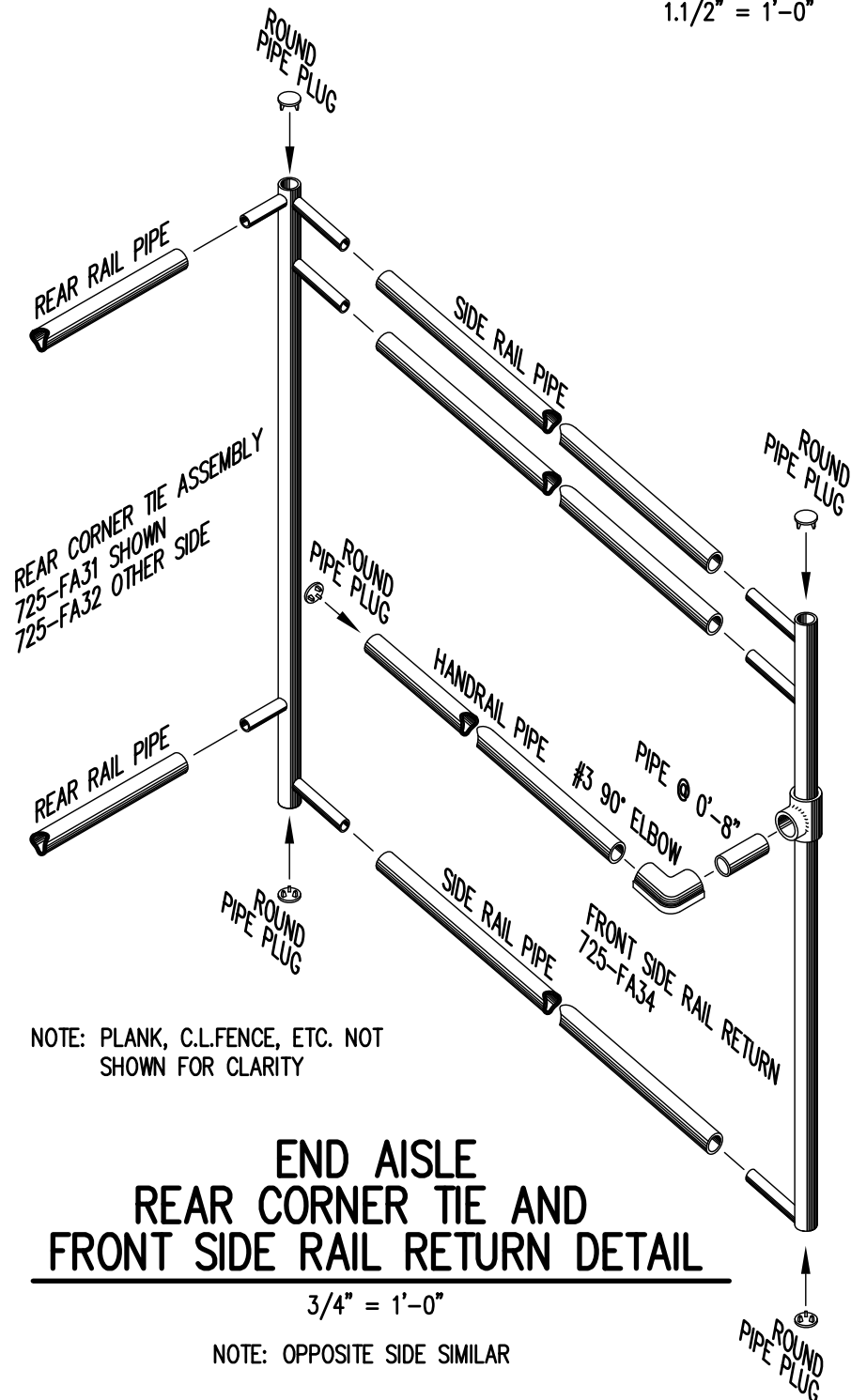
**END CAP DETAIL**

N.T.S.



**1 x 6 RISER END CAP**

N.T.S.

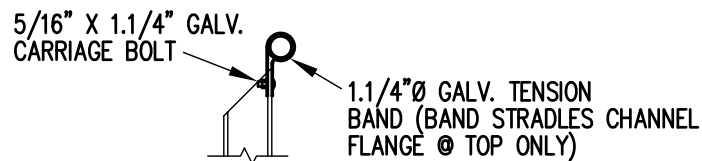


NOTE: PLANK, C.L.FENCE, ETC. NOT SHOWN FOR CLARITY

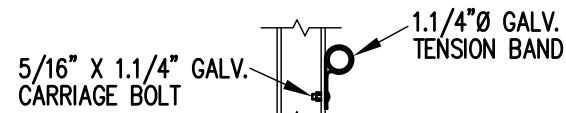
**END AISLE REAR CORNER TIE AND FRONT SIDE RAIL RETURN DETAIL**

3/4" = 1'-0"

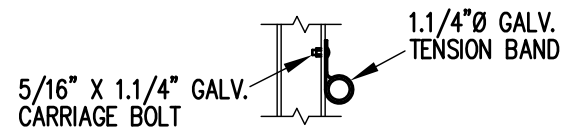
NOTE: OPPOSITE SIDE SIMILAR



**TOP RAIL**

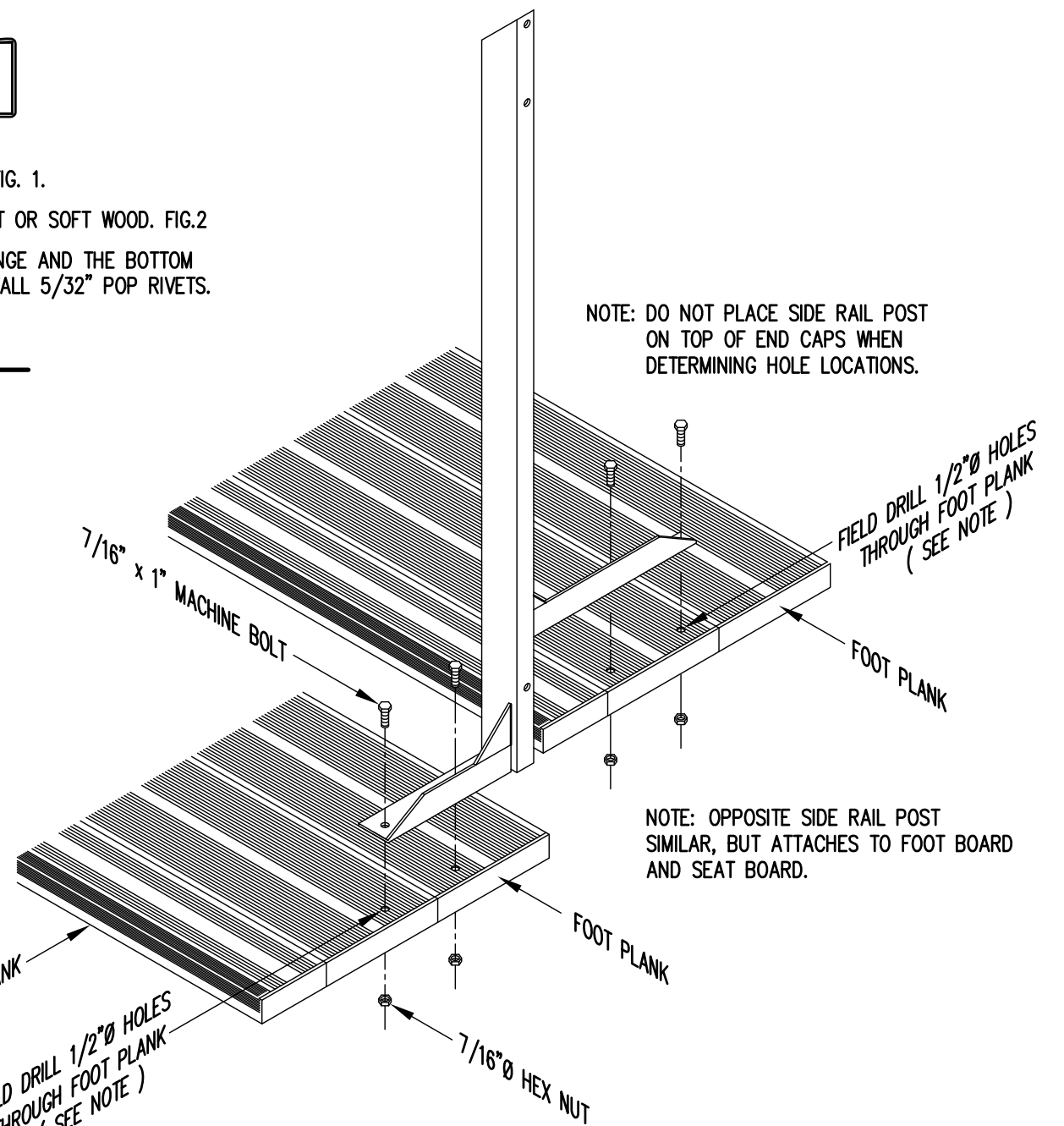


**2ND RAIL**



**BOTTOM RAIL**

**RAIL PIPE ATTACHMENT**



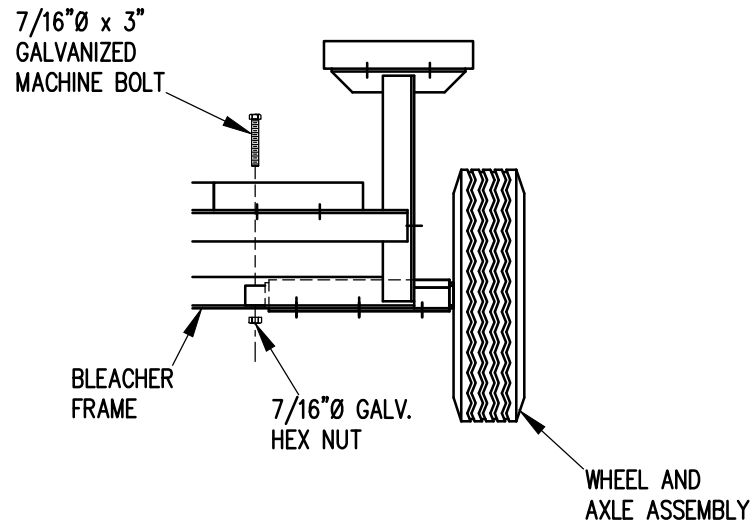
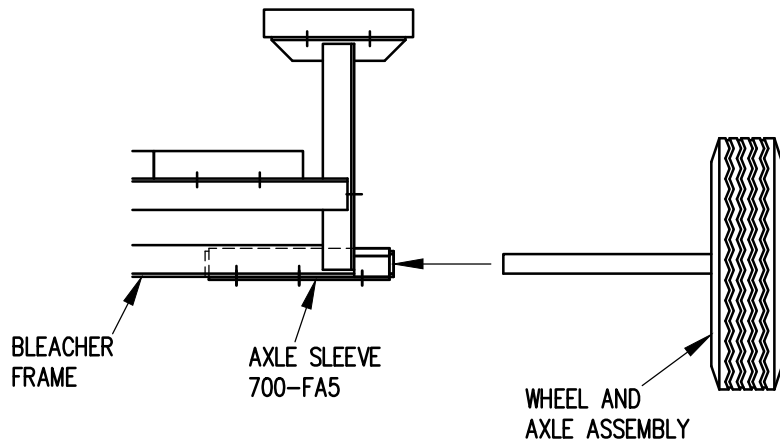
NOTE: DO NOT PLACE SIDE RAIL POST ON TOP OF END CAPS WHEN DETERMINING HOLE LOCATIONS.

NOTE: OPPOSITE SIDE RAIL POST SIMILAR, BUT ATTACHES TO FOOT BOARD AND SEAT BOARD.

**TYP. SIDE RAIL POST ATTACHMENT AT END AISLE**

1" = 1'-0"

		P.O. BOX 118 GENEVA, ALABAMA 36340 334-684-2296	
		SCALE AS NOTED	REVISIONS
DATE 11/2/11			
DR'N CDK CKD			
AP'VD			
TITLE		NO.	
TYPICAL DETAILS W/ END AISLE		784-E2000	

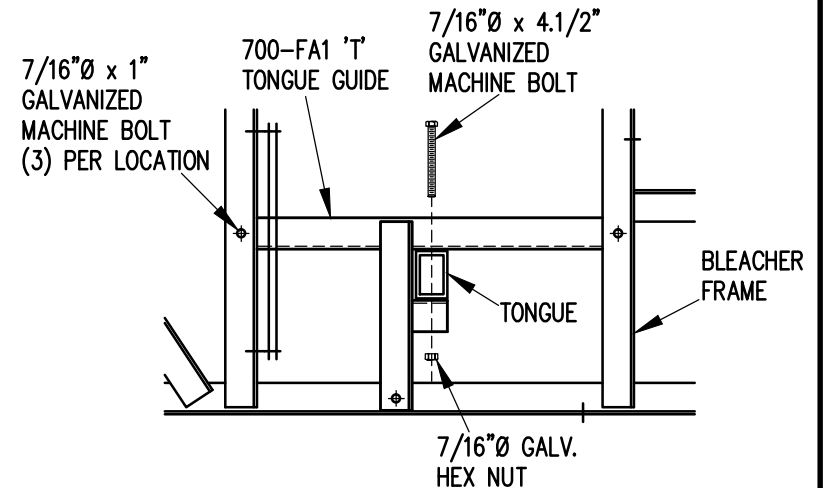


1. ELEVATE BLEACHER TO RECEIVE WHEEL UNITS.
2. INSERT WHEEL AND AXLE ASSEMBLY INTO AXLE SLEEVE AS SHOWN.
3. INSERT 7/16" X 3" GALVANIZED MACHINE BOLT THROUGH AXLE TO SECURE IN AXLE SLEEVE.

## WHEEL AND AXLE ATTACHMENT

1" = 1'-0"

NOTE: SEE FRAMING PLAN FOR LOCATION OF AXLE SLEEVES AND TONGUE GUIDES.



1. INSERT TONGUE THROUGH TONGUE GUIDES.
2. ATTACH TONGUE TO TONGUE BRACKETS WITH 7/16" X 4.1/2" GALVANIZED MACHINE BOLTS AS SHOWN.
3. TIGHTEN SECURELY.

## TONGUE ATTACHMENT

1" = 1'-0"

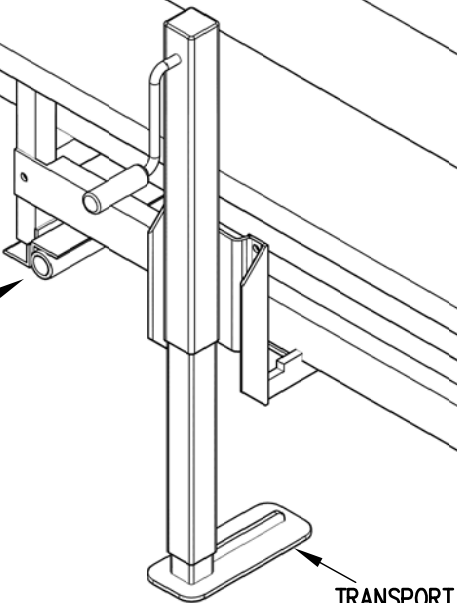
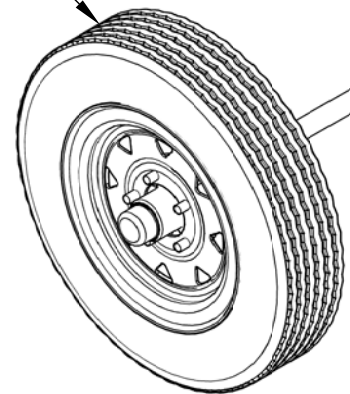


Outdoor  
Aluminum

P.O. BOX 118  
GENEVA, ALABAMA 36340  
334-684-2296

SCALE	REVISIONS	BY	DATE
1"=1'-0"			
DATE			
DR'N			
AP'VD			
TITLE	NO.		
1-5 AND 6-10 ROW TRANSPORT COMPONENTS ATTACHMENT DETAILS	784-E1991		

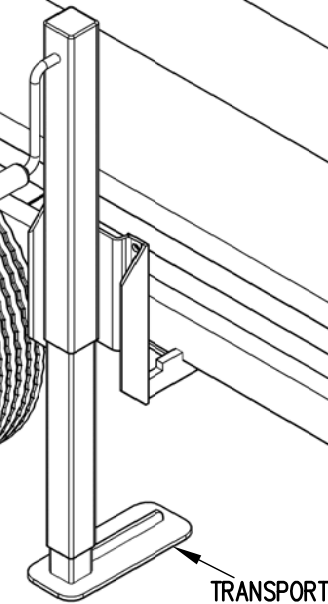
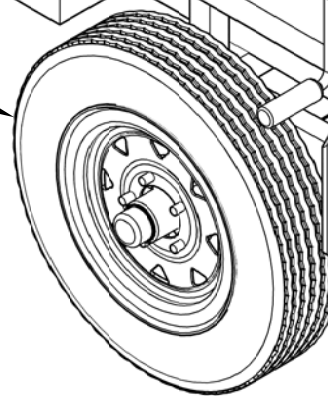
WHEEL AND AXLE ASSEMBLY



TRANSPORT JACK

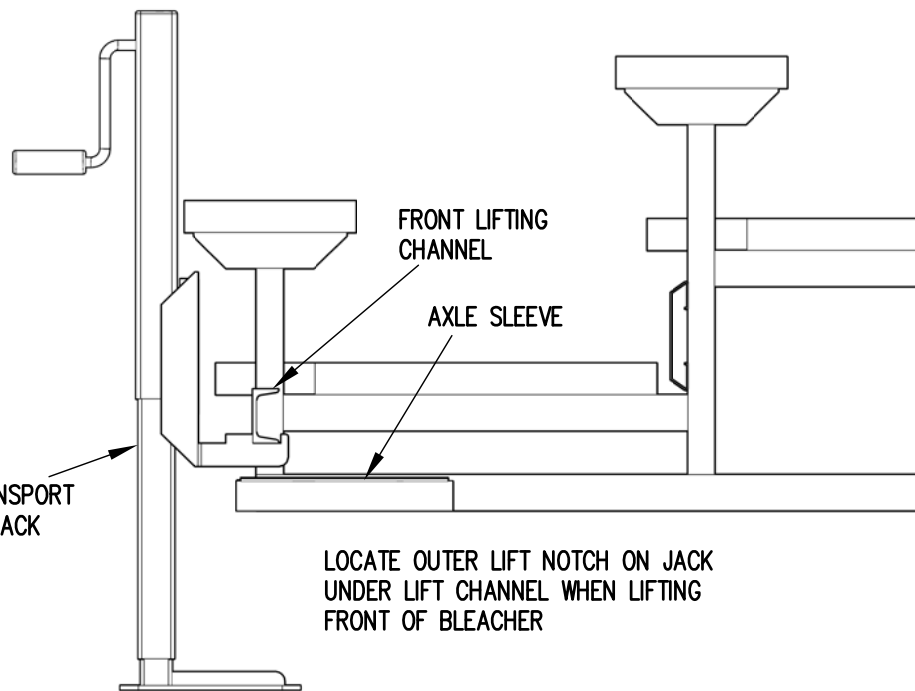
FRONT LIFTING CHANNEL

WHEEL AND AXLE ASSEMBLY



TRANSPORT JACK

FRONT LIFTING CHANNEL

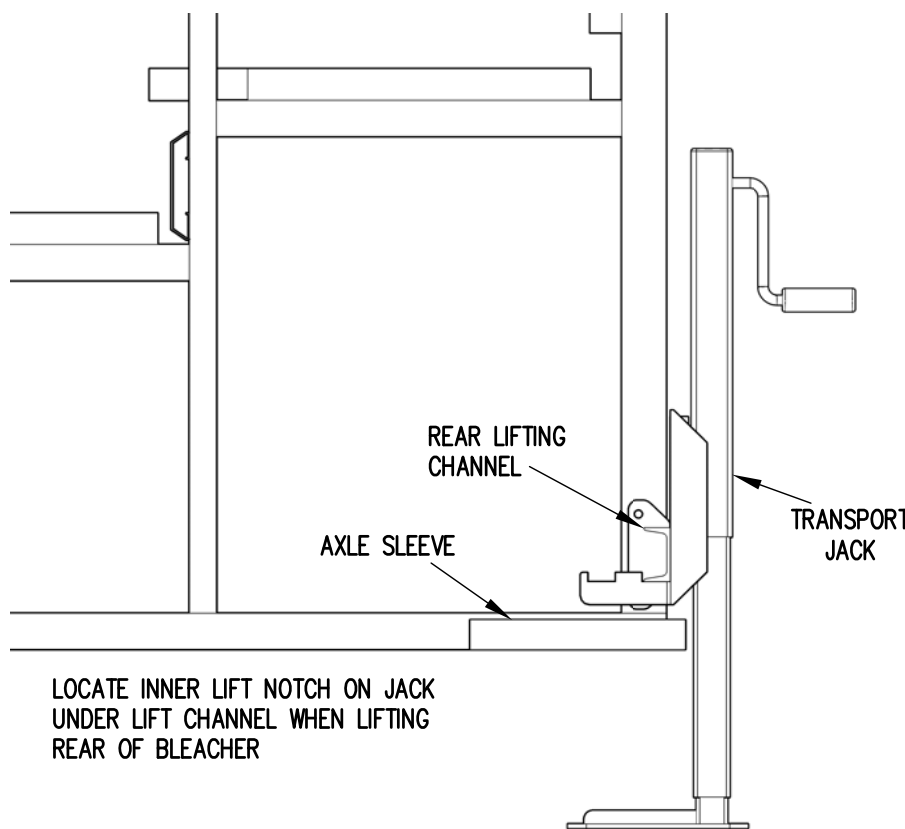


FRONT LIFTING CHANNEL

AXLE SLEEVE

TRANSPORT JACK

LOCATE OUTER LIFT NOTCH ON JACK UNDER LIFT CHANNEL WHEN LIFTING FRONT OF BLEACHER

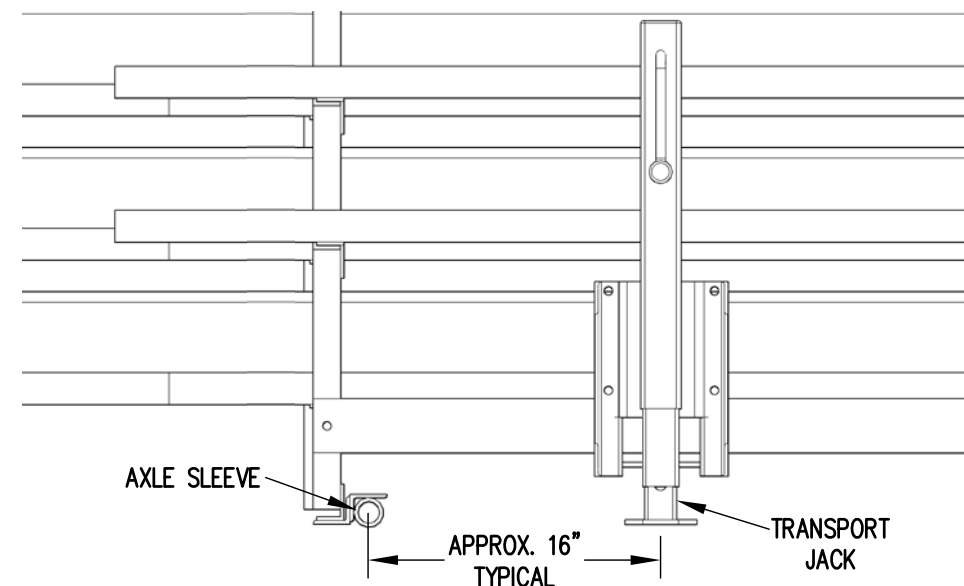


REAR LIFTING CHANNEL

AXLE SLEEVE

TRANSPORT JACK

LOCATE INNER LIFT NOTCH ON JACK UNDER LIFT CHANNEL WHEN LIFTING REAR OF BLEACHER



AXLE SLEEVE

APPROX. 16" TYPICAL

TRANSPORT JACK



Outdoor Aluminum

P.O. BOX 118  
GENEVA, ALABAMA 36340  
334-684-2296

SCALE	N.T.S.	REVISIONS	BY	DATE
DATE	10/16/14			
DR'N	ADK	CKD		
AP'VD	ADK			
TITLE	1-5 AND 6-10 ROW TRANSPORT JACK PLACEMENT			NO. 784-E1992