
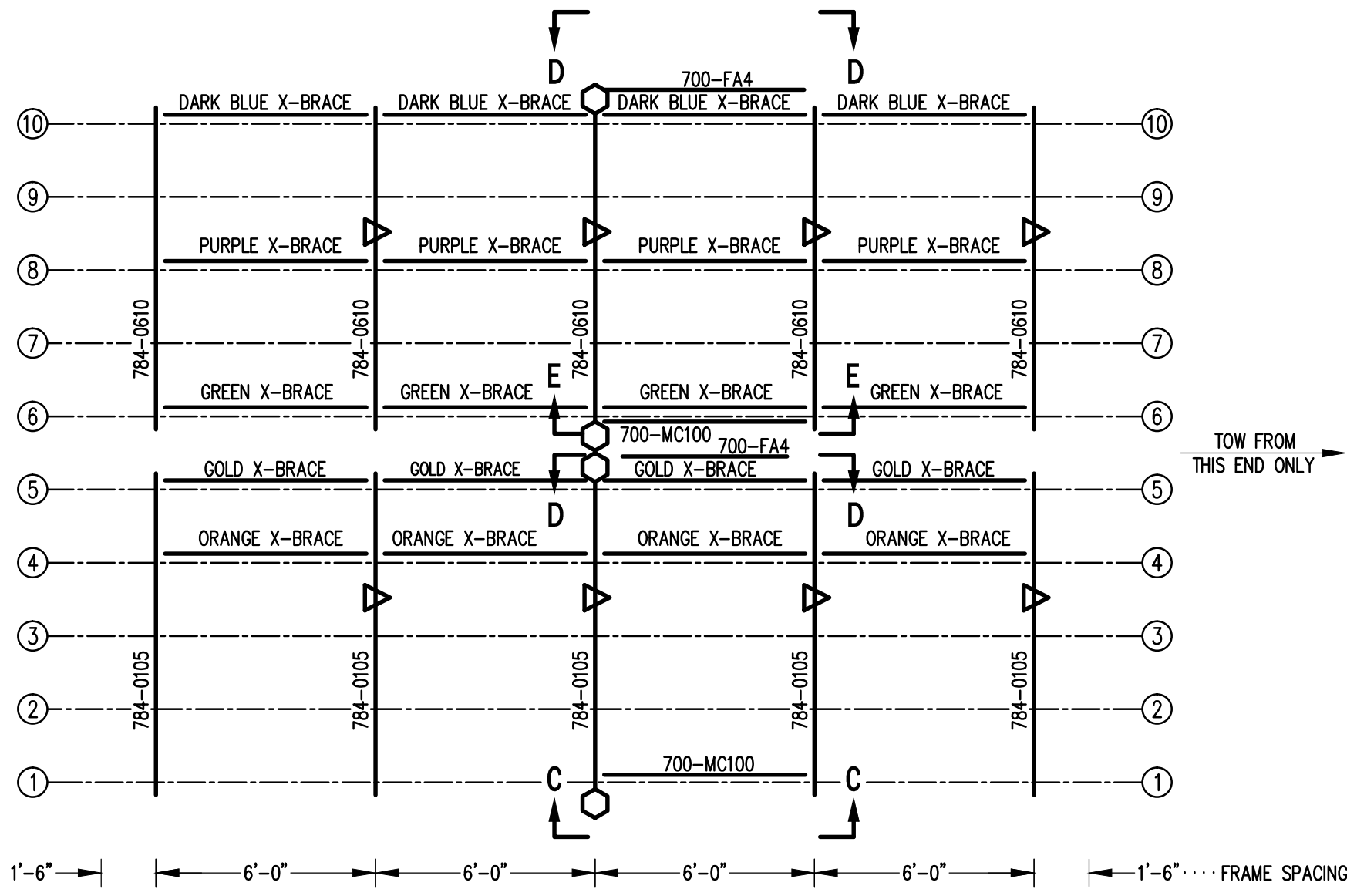


SEATING PLAN

1/4" = 1'-0"

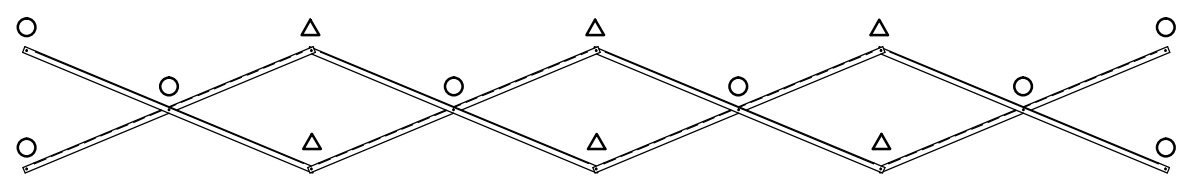
144 NET SEATS @ 18" PER SEAT

		Outdoor Aluminum P.O. BOX 118 GENEVA, ALABAMA 36340 334-684-2296		
				SCALE
DATE	11/2/11			
DR'N	CDK	CKD		
AP'VD				
TITLE			NO.	
TDLW 10-27 SEATING PLAN			784-E2114	



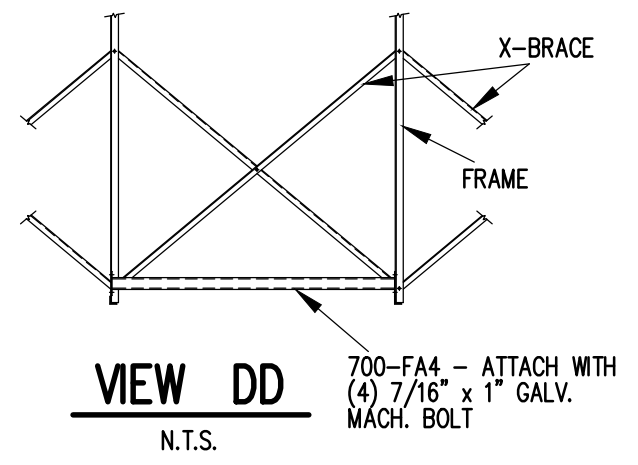
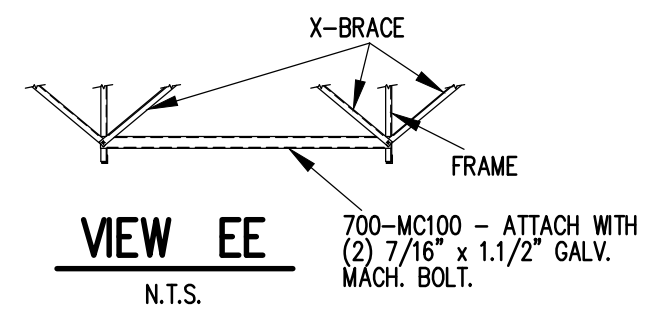
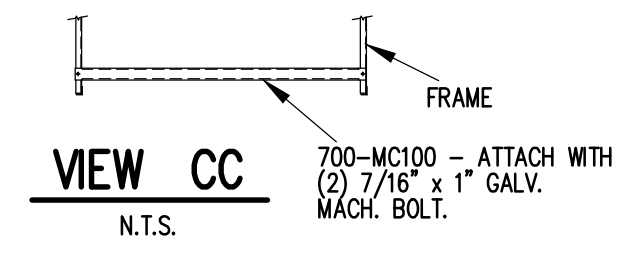
FRAMING PLAN
1/4" = 1'-0"

○ DENOTES AXLE SLEEVE LOCATIONS
 ▽ DENOTES TONGUE GUIDE LOCATIONS

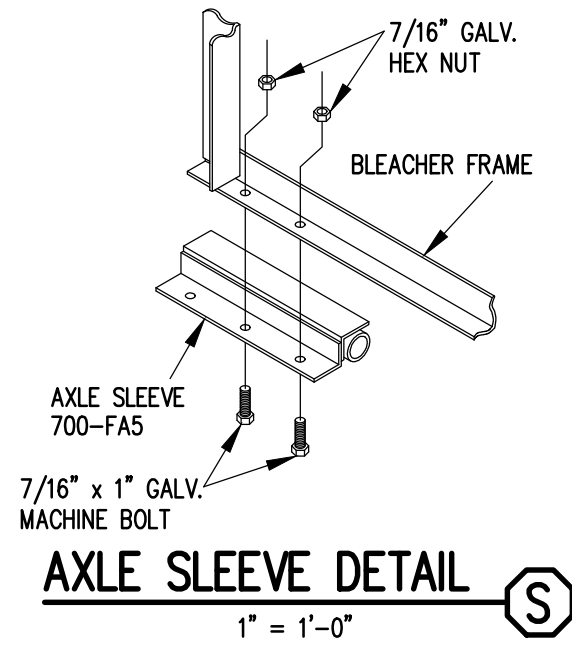
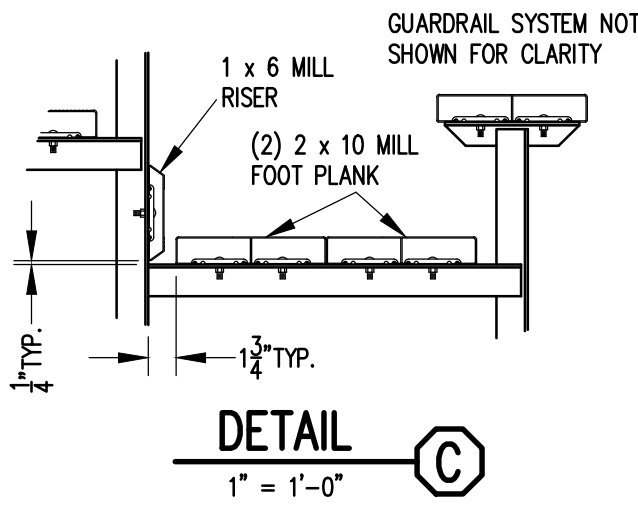
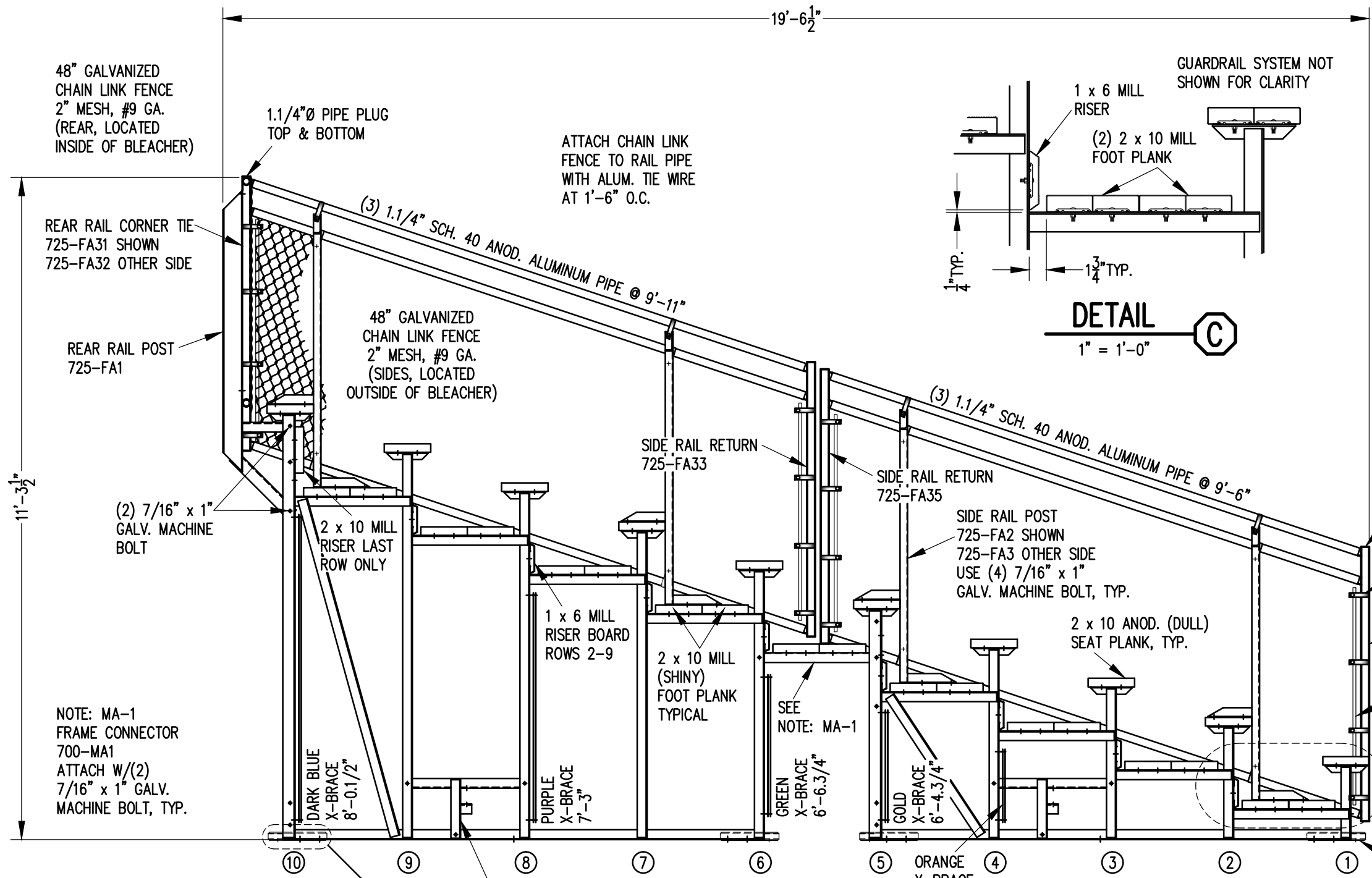


X-BRACE DETAIL
N.T.S.

○ 7/16" X 1" GALV. MACH. BOLT
 ▽ 7/16" X 1.1/2" GALV. MACH. BOLT



		P.O. BOX 118 GENEVA, ALABAMA 36340 334-684-2296	
		SCALE AS NOTED	REVISIONS
DATE 11/2/11			
DR'N GPK CKD			
AP'VD			
TITLE TDLW 10-27 FRAMING PLAN			NO. 784-E2154



48" GALVANIZED CHAIN LINK FENCE 2" MESH, #9 GA. (REAR, LOCATED INSIDE OF BLEACHER)

1.1/4"Ø PIPE PLUG TOP & BOTTOM

ATTACH CHAIN LINK FENCE TO RAIL PIPE WITH ALUM. TIE WIRE AT 1'-6" O.C.

REAR RAIL CORNER TIE 725-FA31 SHOWN 725-FA32 OTHER SIDE

48" GALVANIZED CHAIN LINK FENCE 2" MESH, #9 GA. (SIDES, LOCATED OUTSIDE OF BLEACHER)

REAR RAIL POST 725-FA1

SIDE RAIL RETURN 725-FA33

SIDE RAIL RETURN 725-FA35

(2) 7/16" x 1" GALV. MACHINE BOLT

2 x 10 MILL RISER LAST ROW ONLY

1 x 6 MILL RISER BOARD ROWS 2-9

2 x 10 MILL (SHINY) FOOT PLANK TYPICAL

SEE NOTE: MA-1

SIDE RAIL POST 725-FA2 SHOWN 725-FA3 OTHER SIDE USE (4) 7/16" x 1" GALV. MACHINE BOLT, TYP.

2 x 10 ANOD. (DULL) SEAT PLANK, TYP.

1.1/4"Ø PIPE PLUG TOP & BOTTOM

(4) 1.1/4"Ø GALV. TENSION BAND

SIDE RAIL RETURN 725-FA33

48" GALV. TENSION BAR

NOTE: MA-1 FRAME CONNECTOR 700-MA1 ATTACH W/(2) 7/16" x 1" GALV. MACHINE BOLT, TYP.

DARK BLUE X-BRACE 8'-0.1/2"

PURPLE X-BRACE 7'-3"

GREEN X-BRACE 6'-6.3/4"

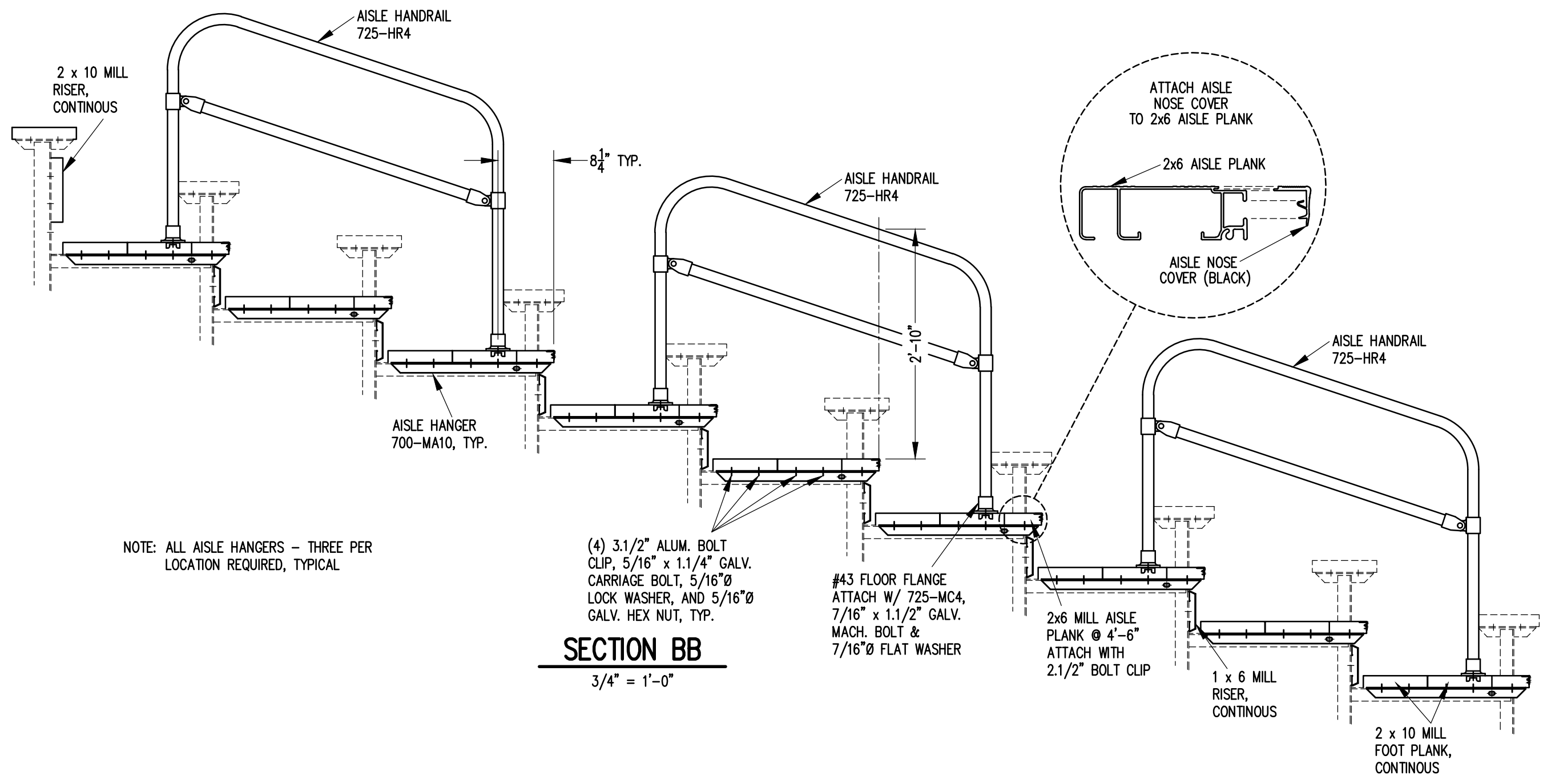
GOLD X-BRACE 6'-4.3/4"

AXLE SLEEVE 700-FA5 ATTACH WITH (2) 7/16" x 1" GALV. MACHINE BOLT, TYP. SEE FRAMING PLAN FOR LOCATIONS


'T' TONGUE GUIDE 700-FA1 ATTACH WITH (3) 7/16" x 1" GALV. MACHINE BOLT, TYP. SEE FRAMING PLAN FOR LOCATIONS

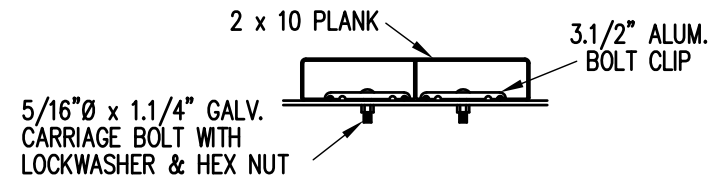
SECTION AA
1/2" = 1'-0"

		Outdoor Aluminum P.O. BOX 118 GENEVA, ALABAMA 36340 334-684-2296	
DATE	11/2/11	REVISIONS	
DR'N	CDK CKD	BY	
AP'VD		DATE	
TITLE		NO.	
TDLW 10 ROW SECTION		784-E2124	



SECTION BB
3/4" = 1'-0"

		Outdoor Aluminum P.O. BOX 118 GENEVA, ALABAMA 36340 334-684-2296		
				SCALE 3/4"=1'-0"
DATE	11/2/11			
DR'N	CDK CKD			
AP'VD				
TITLE			NO.	
TDLW 10 ROW AISLE SECTION			784-E1998	



BOLT CLIP DETAIL

1.1/2" = 1'-0"



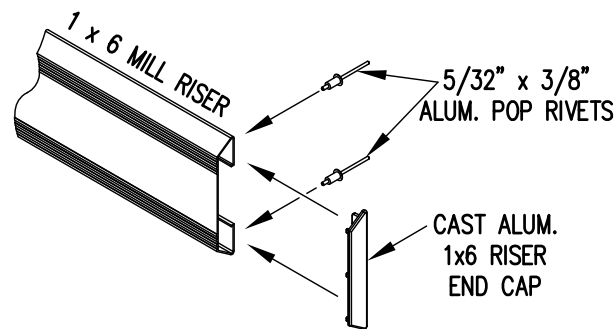
FIG.1

FIG.2

- 1) LOCATE THE CHANNEL END CAP AS SHOWN IN FIG. 1.
- 2) TAP END CAP INTO PLACE WITH RUBBER Mallet OR SOFT WOOD. FIG.2
- 3) DRILL 5/32" HOLES THROUGH THE BOTTOM FLANGE AND THE BOTTOM OUTSIDE PLANK FLANGES OF EACH PLANK. INSTALL 5/32" POP RIVETS.

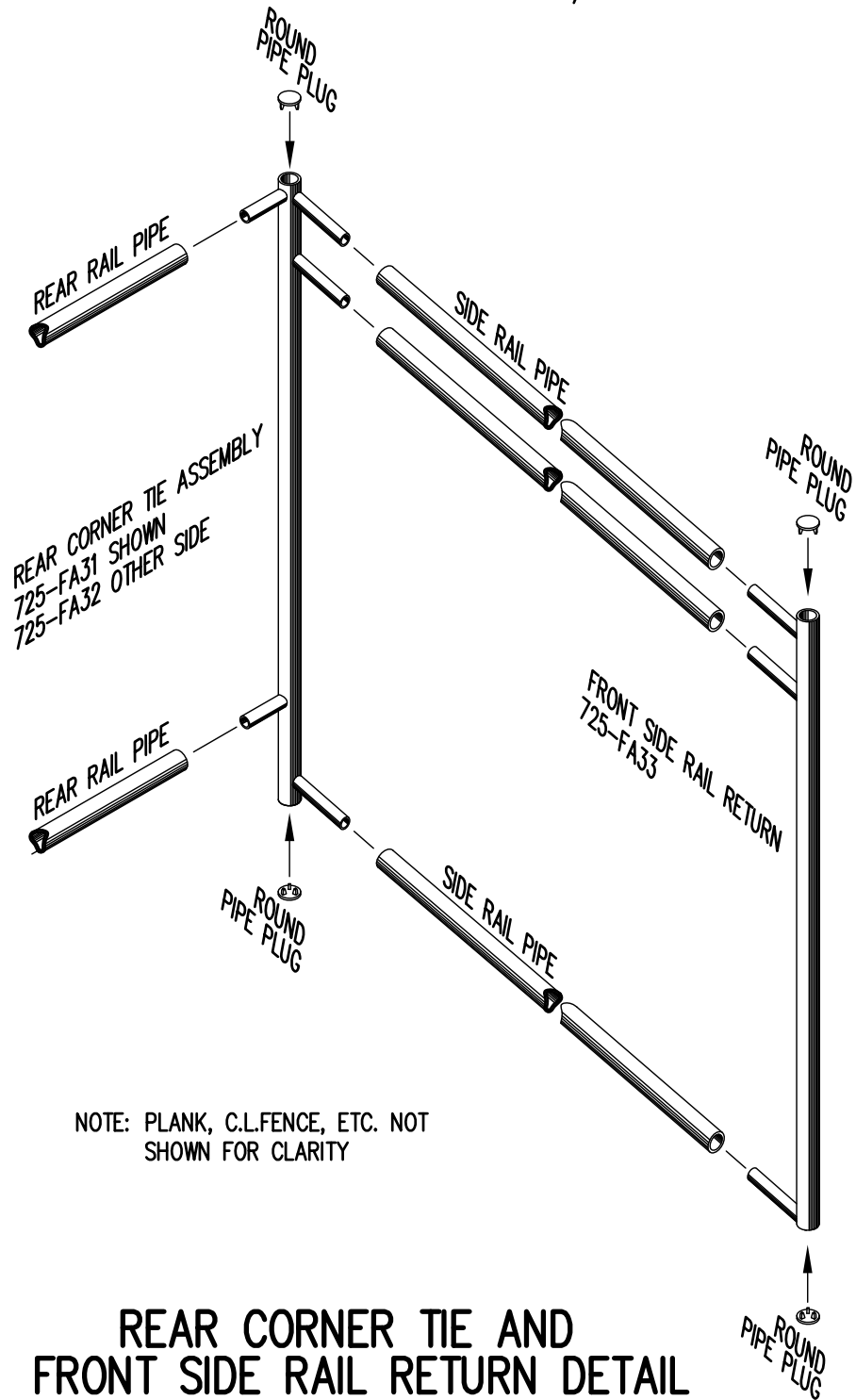
END CAP DETAIL

N.T.S.



1 x 6 RISER END CAP

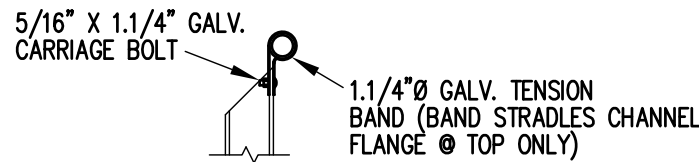
N.T.S.



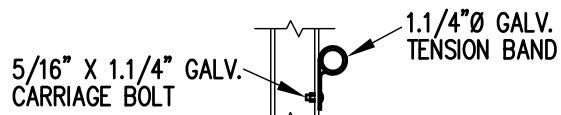
REAR CORNER TIE AND FRONT SIDE RAIL RETURN DETAIL

3/4" = 1'-0"

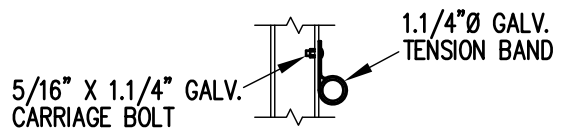
NOTE: PLANK, C.L.FENCE, ETC. NOT SHOWN FOR CLARITY



TOP RAIL

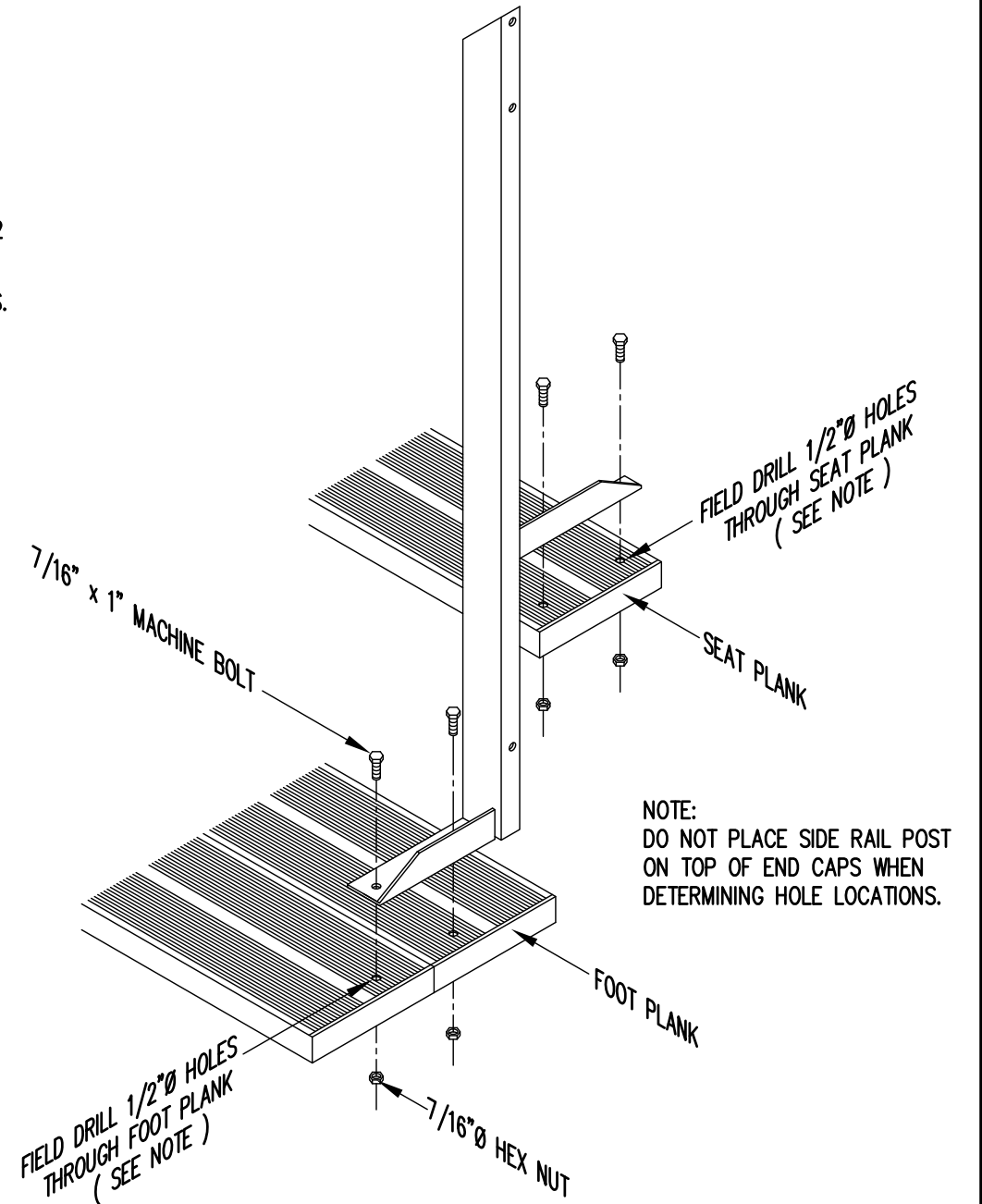


2ND RAIL



BOTTOM RAIL

RAIL PIPE ATTACHMENT

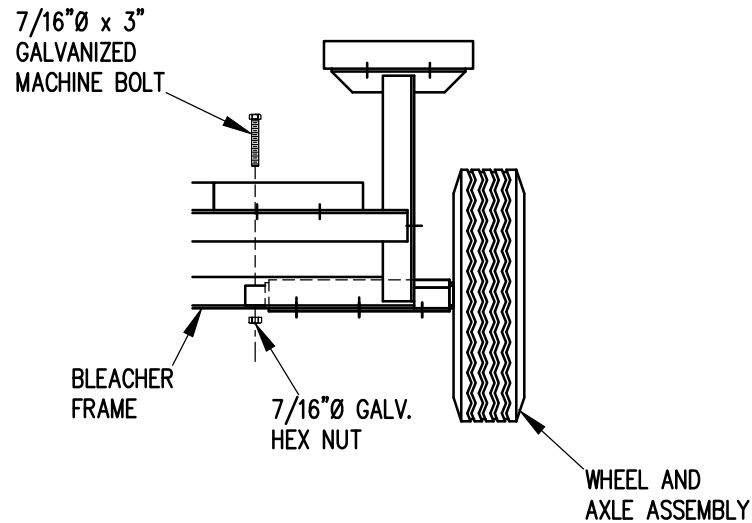
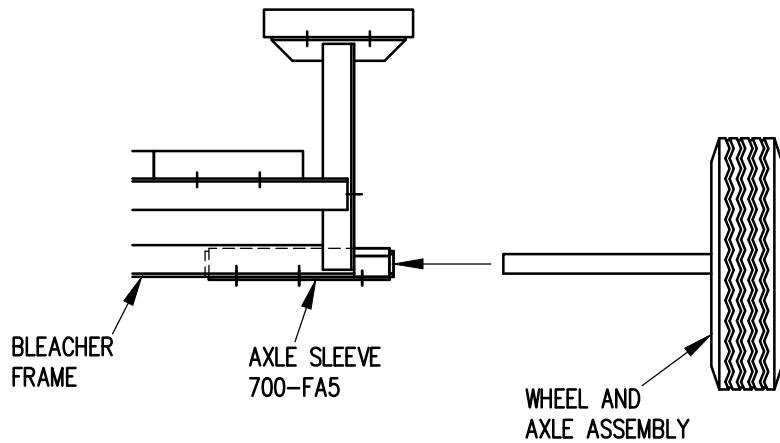


TYP. SIDE RAIL POST ATTACHMENT

1" = 1'-0"

NOTE: DO NOT PLACE SIDE RAIL POST ON TOP OF END CAPS WHEN DETERMINING HOLE LOCATIONS.

		P.O. BOX 118 GENEVA, ALABAMA 36340 334-684-2296		
		SCALE	AS NOTED	REVISIONS
DATE	11/2/11			
DR'N	ADK	CKD		
AP'VD				
TITLE			NO.	
TYPICAL DETAILS			784-E1990	

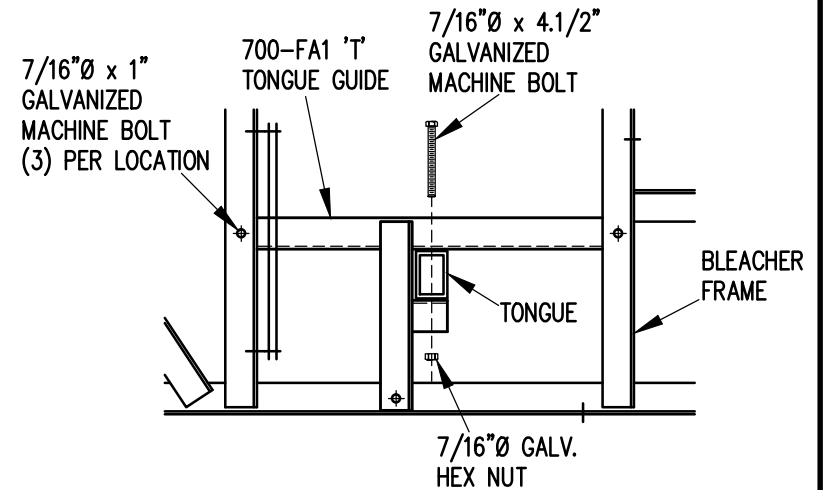


1. ELEVATE BLEACHER TO RECEIVE WHEEL UNITS.
2. INSERT WHEEL AND AXLE ASSEMBLY INTO AXLE SLEEVE AS SHOWN.
3. INSERT 7/16" X 3" GALVANIZED MACHINE BOLT THROUGH AXLE TO SECURE IN AXLE SLEEVE.

WHEEL AND AXLE ATTACHMENT

1" = 1'-0"

NOTE: SEE FRAMING PLAN FOR LOCATION OF AXLE SLEEVES AND TONGUE GUIDES.



1. INSERT TONGUE THROUGH TONGUE GUIDES.
2. ATTACH TONGUE TO TONGUE BRACKETS WITH 7/16" X 4.1/2" GALVANIZED MACHINE BOLTS AS SHOWN.
3. TIGHTEN SECURELY.

TONGUE ATTACHMENT

1" = 1'-0"

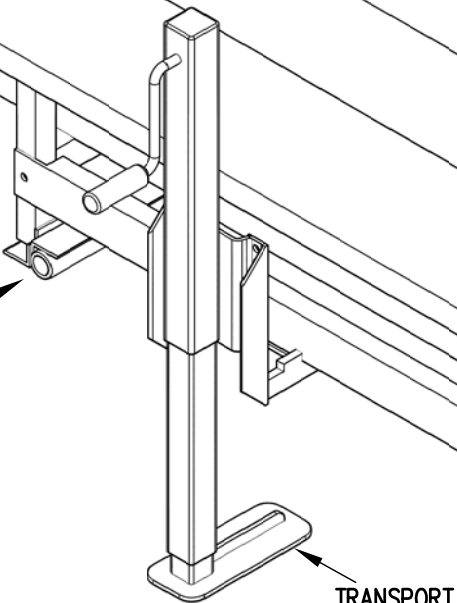
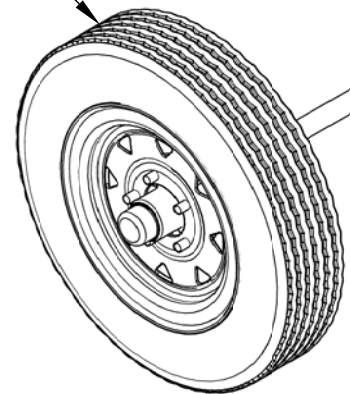


Outdoor
Aluminum

P.O. BOX 118
GENEVA, ALABAMA 36340
334-684-2296

SCALE	REVISIONS	BY	DATE
1"=1'-0"			
DATE			
DR'N	ADK	CKD	
AP'VD			
TITLE	NO.		
1-5 AND 6-10 ROW TRANSPORT COMPONENTS ATTACHMENT DETAILS	784-E1991		

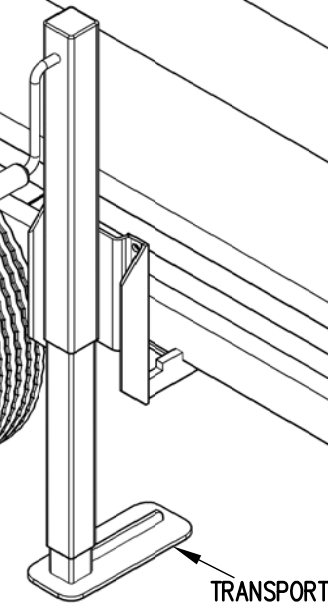
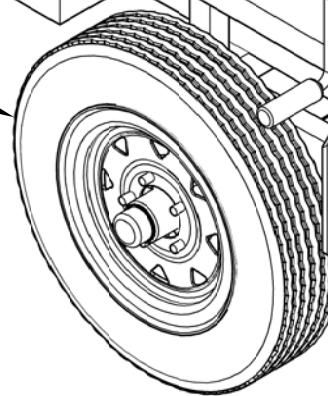
WHEEL AND AXLE ASSEMBLY



TRANSPORT JACK

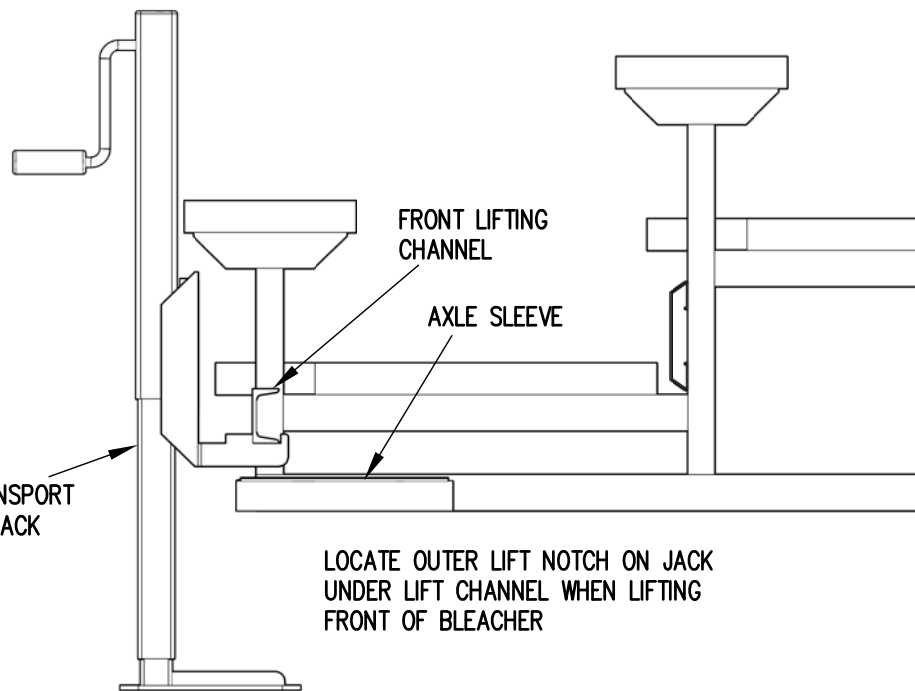
FRONT LIFTING CHANNEL

WHEEL AND AXLE ASSEMBLY

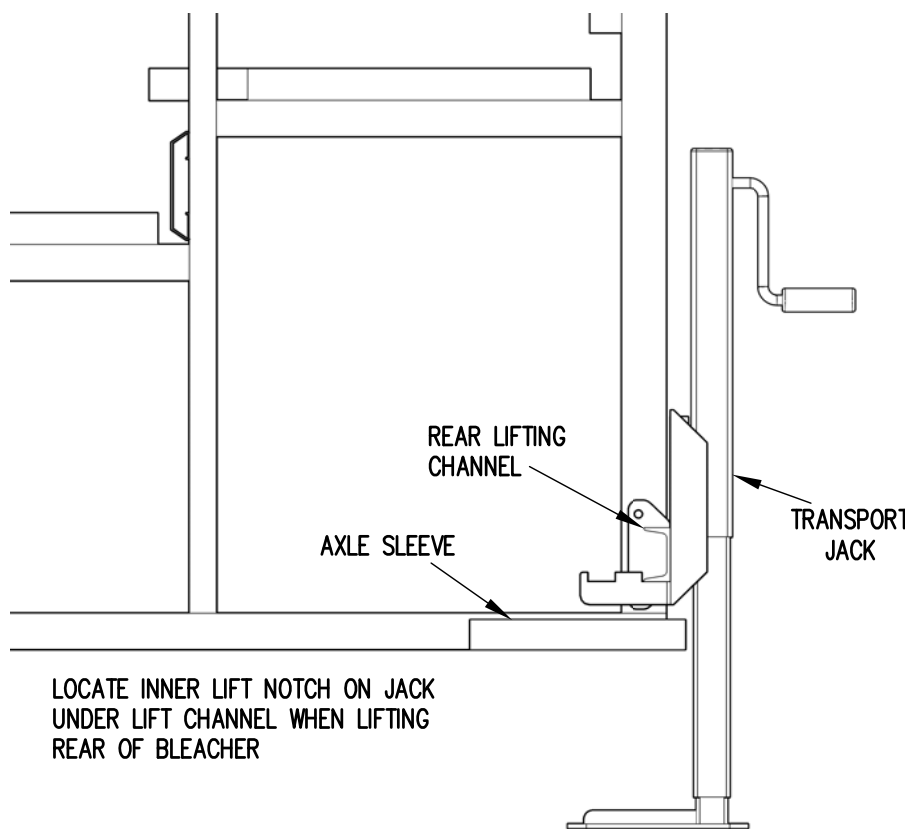


TRANSPORT JACK

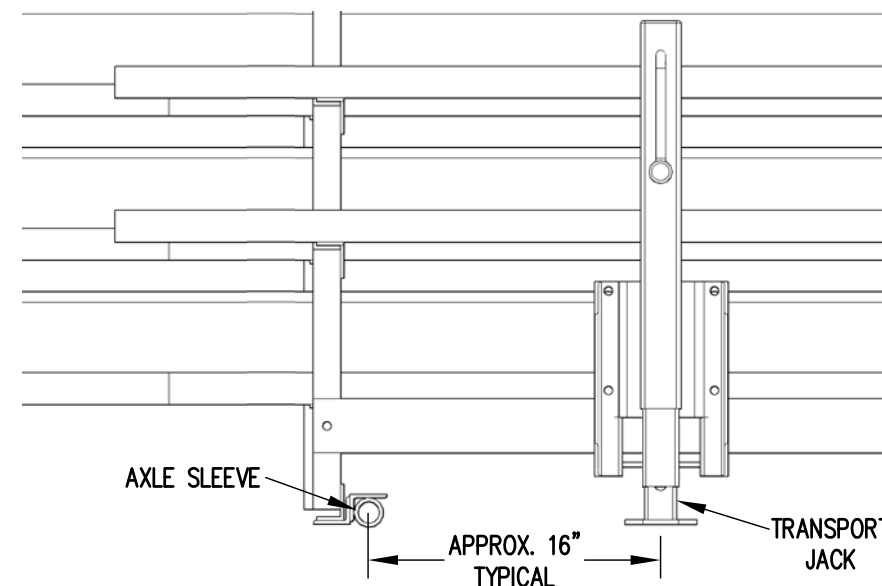
FRONT LIFTING CHANNEL



LOCATE OUTER LIFT NOTCH ON JACK UNDER LIFT CHANNEL WHEN LIFTING FRONT OF BLEACHER



LOCATE INNER LIFT NOTCH ON JACK UNDER LIFT CHANNEL WHEN LIFTING REAR OF BLEACHER



Outdoor Aluminum

P.O. BOX 118
GENEVA, ALABAMA 36340
334-684-2296

SCALE	N.T.S.	REVISIONS	BY	DATE
DATE	10/16/14			
DR'N	ADK	CKD		
AP'VD	ADK			
TITLE	1-5 AND 6-10 ROW TRANSPORT JACK PLACEMENT			NO. 784-E1992