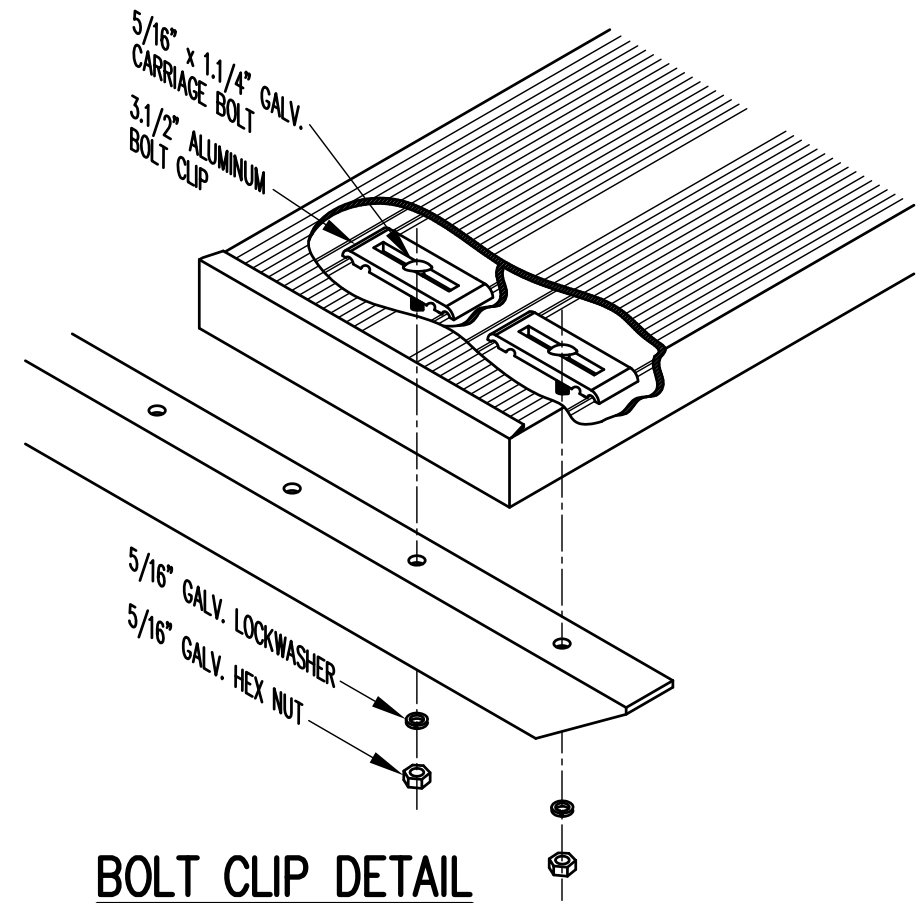
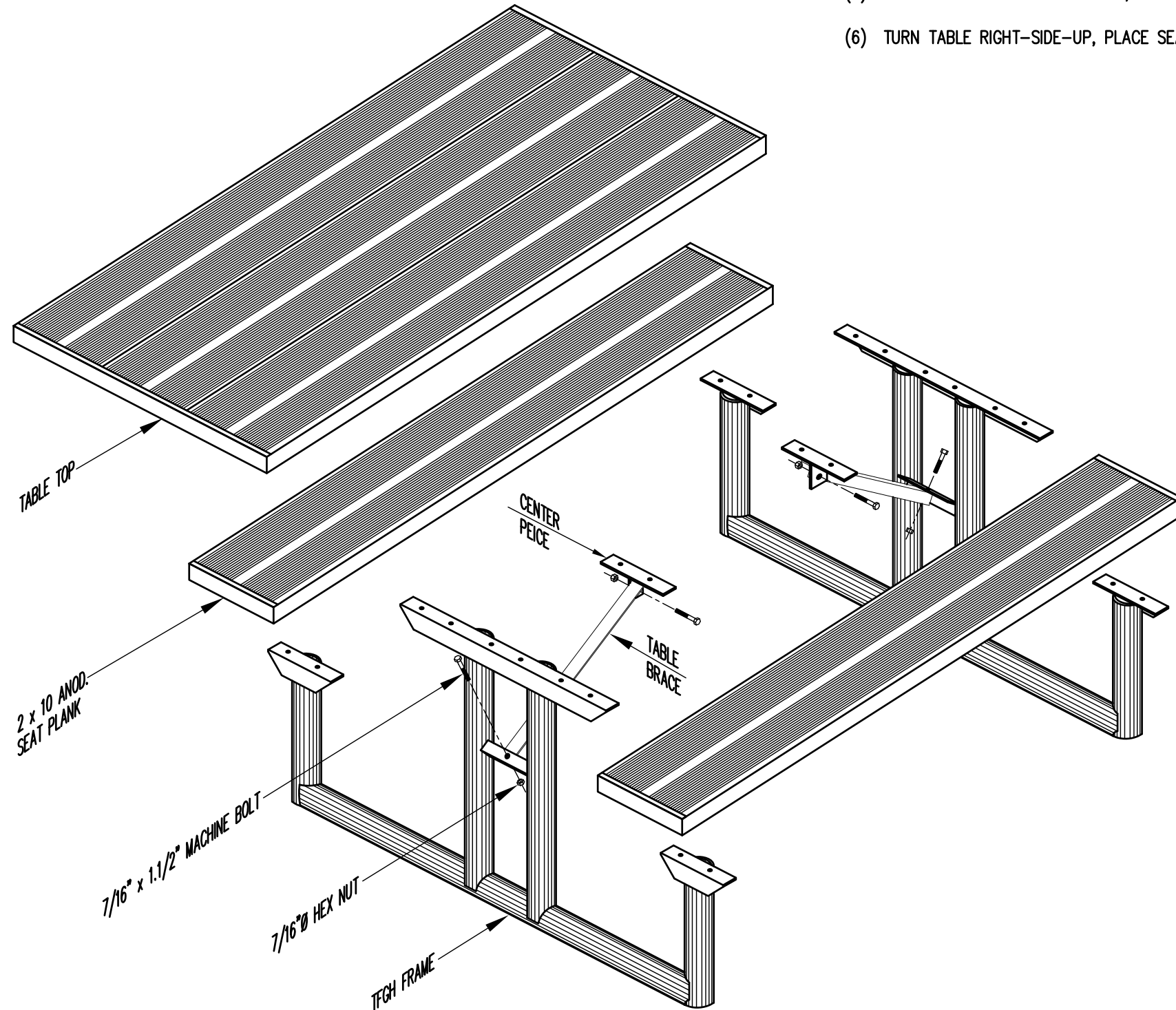



TFGH PICNIC TABLE

(TABLE FRAME GALVANIZED HEAVY)

- (1) PLACE TABLE TOP UP-SIDE-DOWN ON GROUND.
- (2) POSITION TABLE FRAMES ON TABLE TOP ALLOWING THE FOLLOWING PLANK OVERHANG: (TFGH-6 (0'-6"), TFGH-7.5 (0'-9"), TFGH-8 (1'-0")). SQUARE EACH FRAME TO THE TABLE TOP AND ATTACH WITH BOLT CLIP ASSEMBLIES AS SHOWN.
- (3) LOOSELY ASSEMBLE TABLE BRACE AND CENTER PEICE TO TABLE FRAME WITH 7/16" x 1.1/2" MACHINE BOLTS AND HEX NUTS.
- (4) ATTACH CENTER PEICE TO TABLE TOP WITH BOLT CLIP ASSEMBLIES.
- (5) TIGHTEN TABLE BRACE FASTENERS, AND REPEAT ASSEMBLY FOR OPPOSITE TABLE BRACE AND CENTER PEICE.
- (6) TURN TABLE RIGHT-SIDE-UP, PLACE SEAT PLANK ONTO FRAMES, ALIGN WITH TABLE TOP, AND ATTACH WITH BOLT CLIP ASSEMBLIES.



		Outdoor Aluminum P.O. BOX 118 GENEVA, ALABAMA 36340 334-684-2296			
				SCALE	3/4"=1'-0"
DATE	11/4/04	UPDATED INSTRUCTIONS/ADDED BRACE SUPP.		GDK	01/07
DR'N	RLH	CKD			
AP'VD					
TITLE				NO.	
TFGH PICNIC TABLE				350-E3	