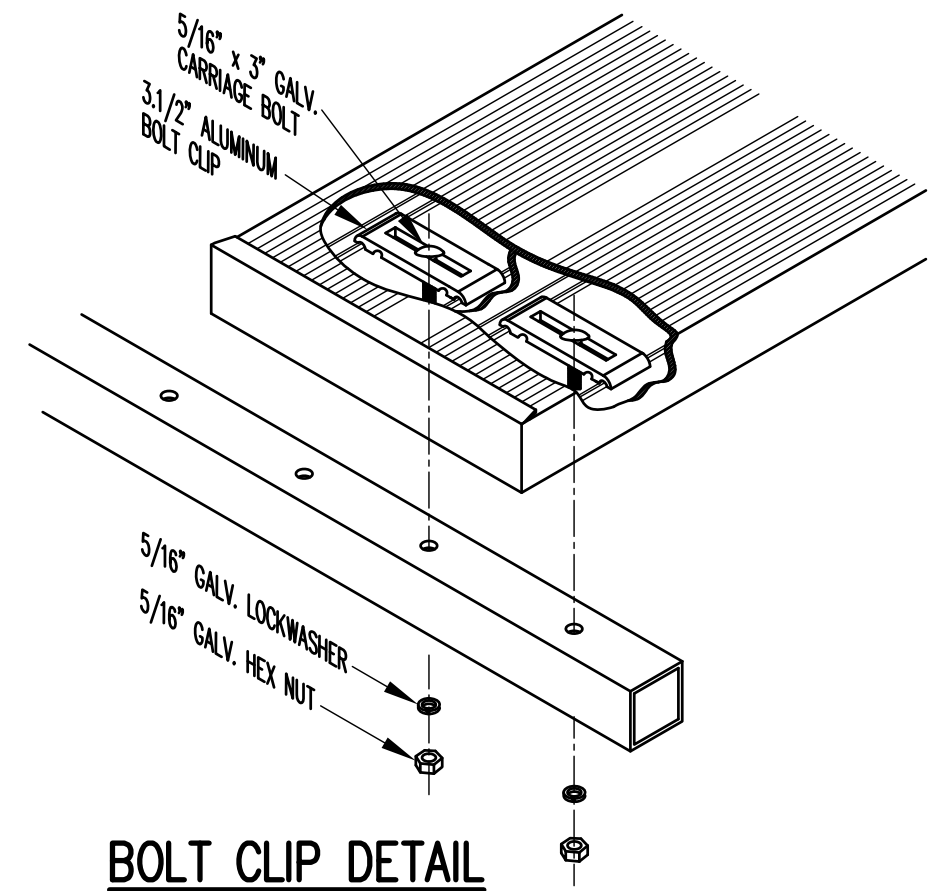
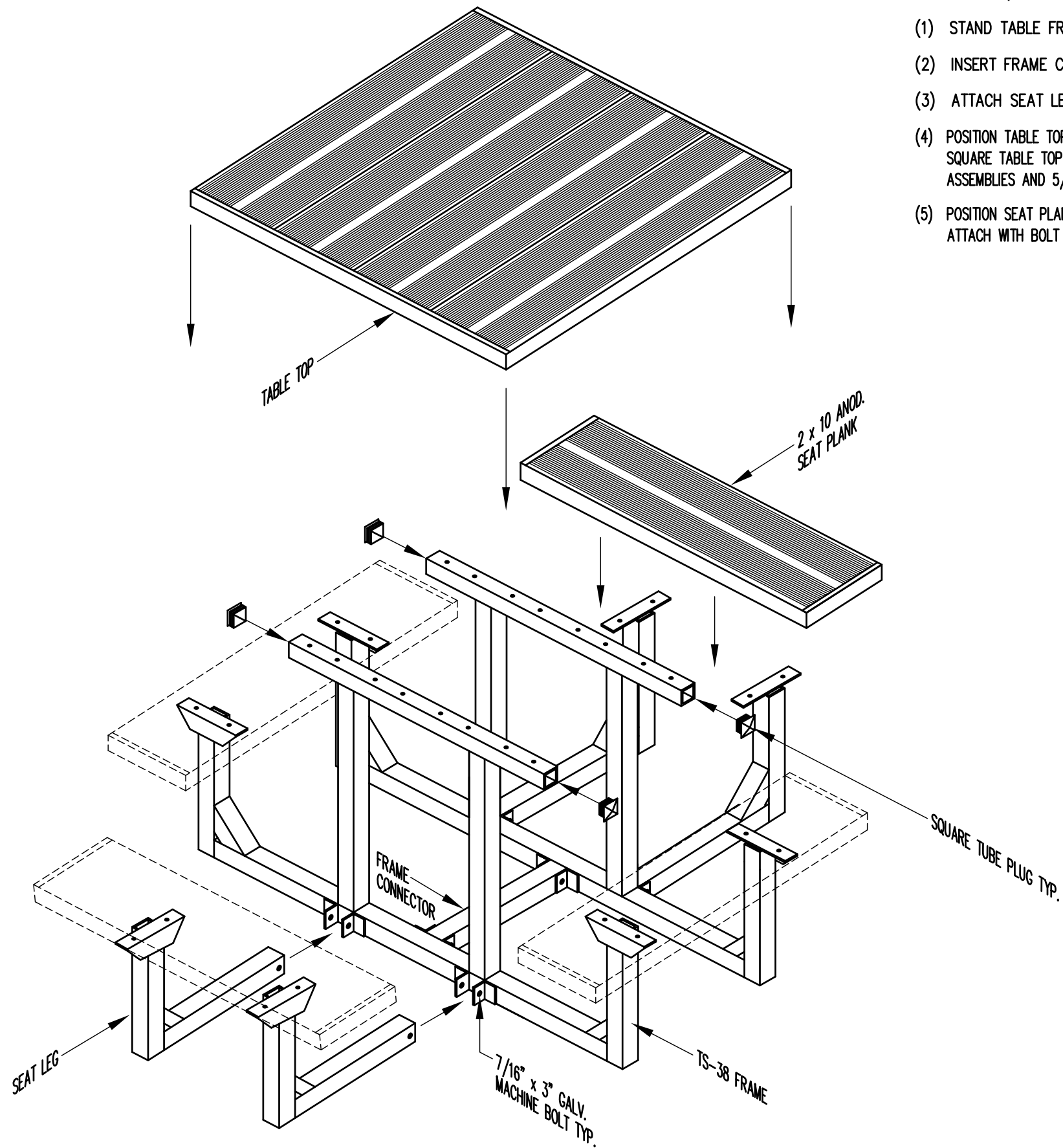



TS-38 PICNIC TABLE

(TABLE SQUARE)

- (1) STAND TABLE FRAMES UPRIGHT APPROXIMATELY 17" APART.
- (2) INSERT FRAME CONNECTOR AND SECURE WITH 7/16" x 3" BOLTS AS SHOWN.
- (3) ATTACH SEAT LEGS WITH 7/16" x 3" BOLTS AS SHOWN.
- (4) POSITION TABLE TOP ONTO TABLE FRAMES. ALLOW 8.1/2" PLANK OVERHANG. SQUARE TABLE TOP TO TABLE FRAMES AND ATTACH WITH BOLT CLIP ASSEMBLIES AND 5/16" x 3" CARRIAGE BOLTS.
- (5) POSITION SEAT PLANK ONTO FRAMES ALLOWING 8.1/2" OVERHANG. ATTACH WITH BOLT CLIP ASSEMBLIES AND 5/16" x 1.1/4" CARRIAGE BOLTS.



		Outdoor Aluminum P.O. BOX 118 GENEVA, ALABAMA 36340 334-684-2296			
				SCALE	3/4"=1'-0"
DATE	11/4/04	UPDATED INSTRUCTIONS		GDK	01/07
DR'N	RLH	CKD			
AP'VD					
TITLE				NO.	
TS-38 PICNIC TABLE				350-E7	