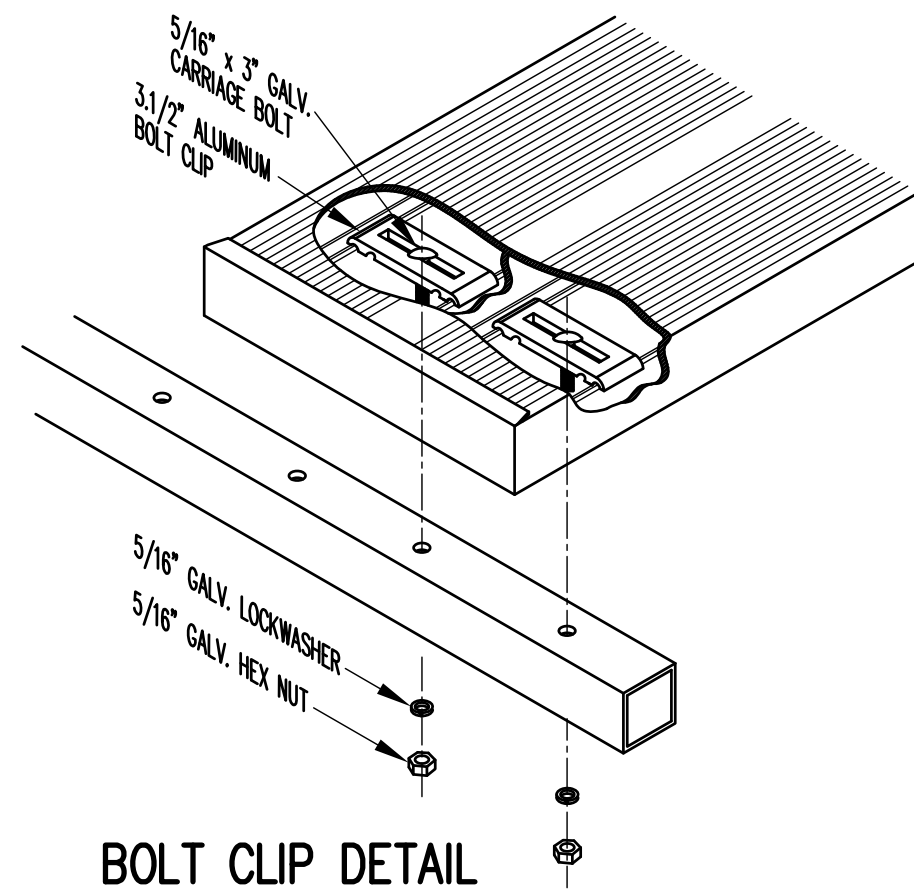
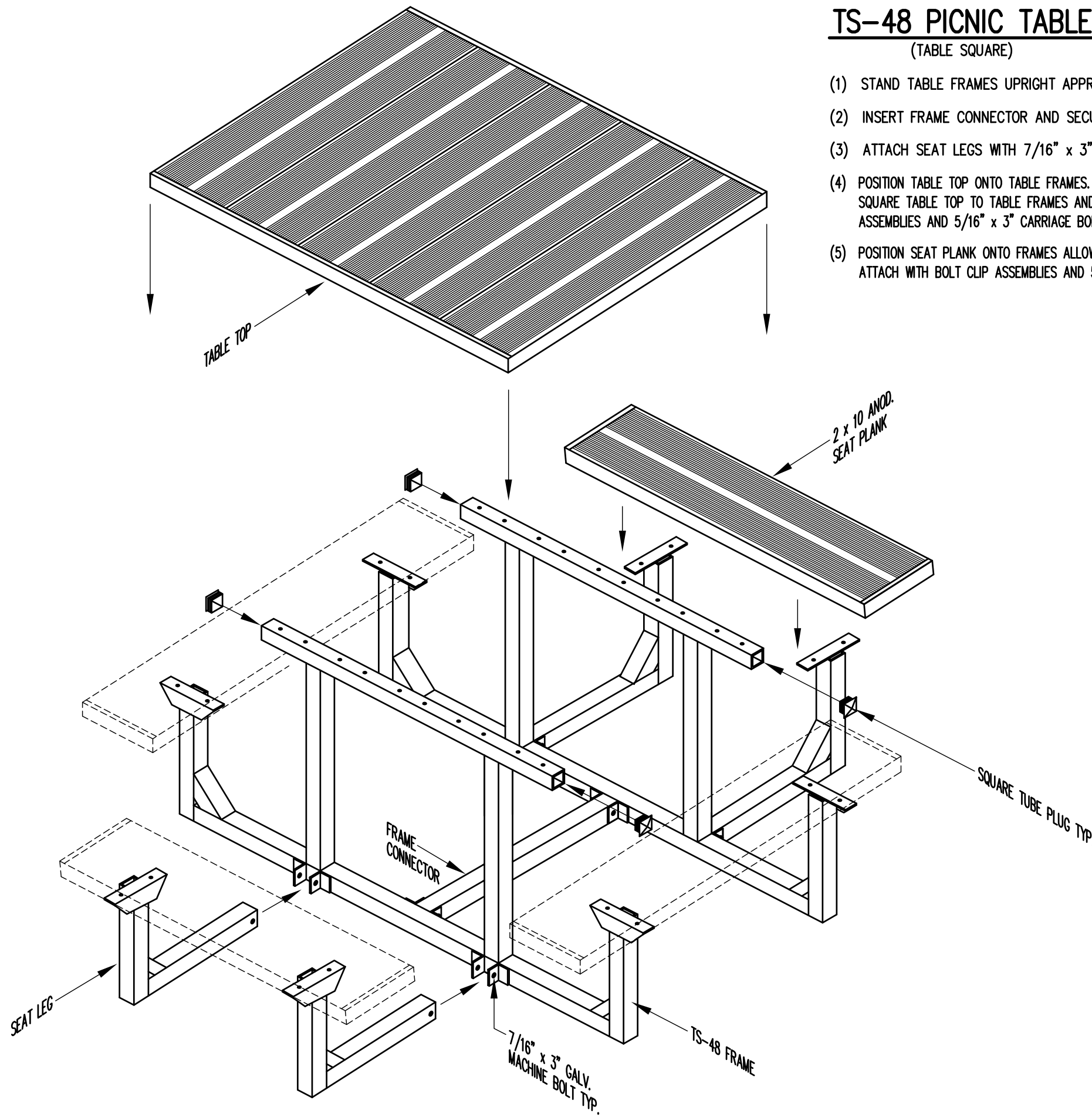



# TS-48 PICNIC TABLE

(TABLE SQUARE)

- (1) STAND TABLE FRAMES UPRIGHT APPROXIMATELY 24" APART.
- (2) INSERT FRAME CONNECTOR AND SECURE WITH 7/16" x 3" BOLTS AS SHOWN.
- (3) ATTACH SEAT LEGS WITH 7/16" x 3" BOLTS AS SHOWN.
- (4) POSITION TABLE TOP ONTO TABLE FRAMES. ALLOW 8.1/2" PLANK OVERHANG. SQUARE TABLE TOP TO TABLE FRAMES AND ATTACH WITH BOLT CLIP ASSEMBLIES AND 5/16" x 3" CARRIAGE BOLTS.
- (5) POSITION SEAT PLANK ONTO FRAMES ALLOWING 8.1/2" OVERHANG. ATTACH WITH BOLT CLIP ASSEMBLIES AND 5/16" x 1.1/4" CARRIAGE BOLTS.



**BOLT CLIP DETAIL**

		<b>Outdoor Aluminum</b> P.O. BOX 118 GENEVA, ALABAMA 36340 334-684-2296	
DATE	11/29/04	REVISIONS	UPDATED INSTRUCTIONS
DR'N	RLH	CKD	
AP'VD			
TITLE			NO.
TS-48 PICNIC TABLE			350-E8