
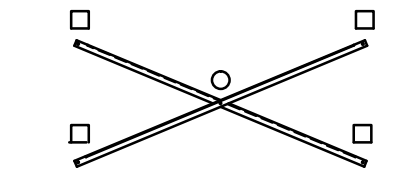
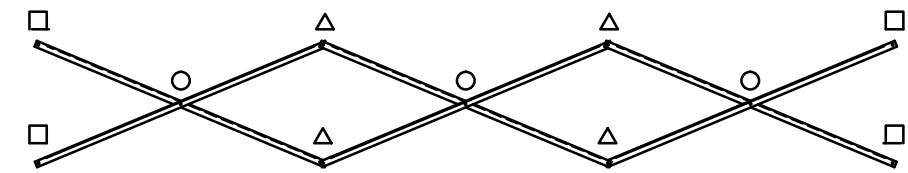
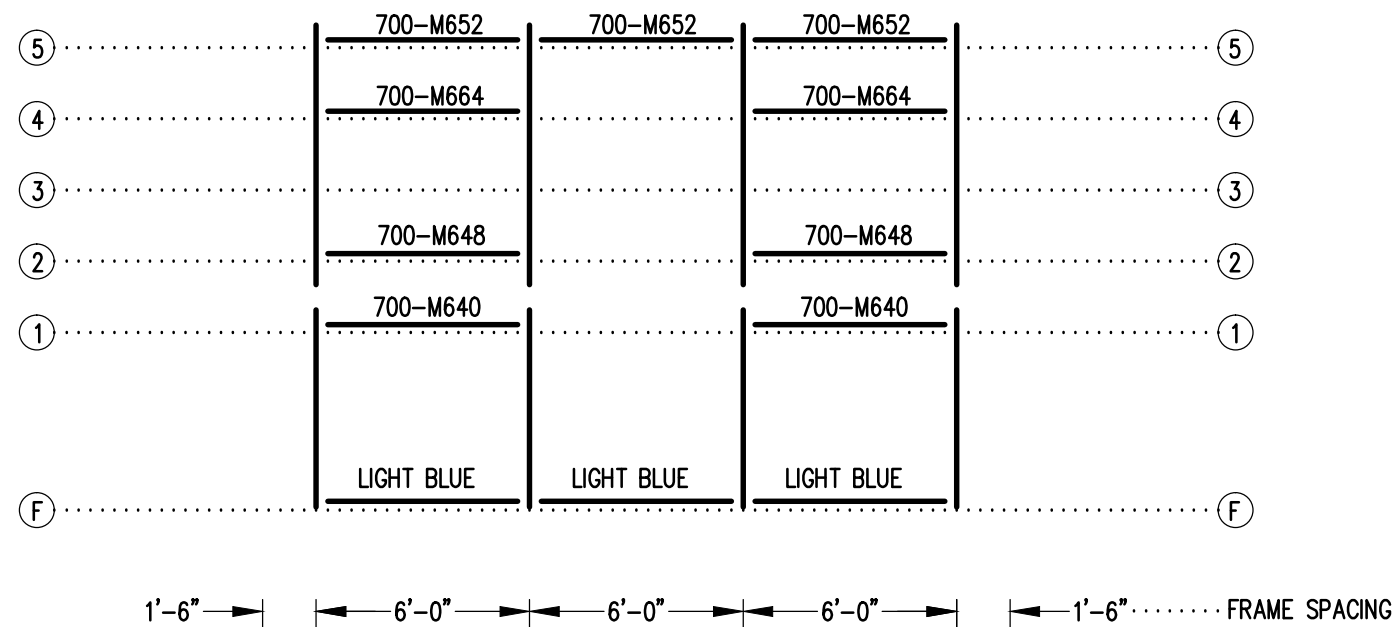


SEATING PLAN

3/16" = 1'-0"

54 NET SEATS @ 18" PER SEAT

		Outdoor Aluminum P.O. BOX 118 GENEVA, ALABAMA 36340 334-684-2296					
				SCALE	REVISIONS	BY	DATE
SCALE	3/16"=1'-0"	REVISIONS	UPDATED TO 700 SERIES STANDARDS	BY	GDK	DATE	02/13
DATE	12/2/02	DR'N	R.A	CKD			
AP'VD							
TITLE						NO.	
TSAE 5-21 SEATING PLAN						884-E2166	



X-BRACE DETAIL

N.T.S.

X-BRACE LINE ⑤

- 7/16" X 1" GALV. MACH. BOLT
- △ 7/16" X 1.1/2" GALV. MACH. BOLT
- 7/16" X 1" GALV. MACH. BOLT

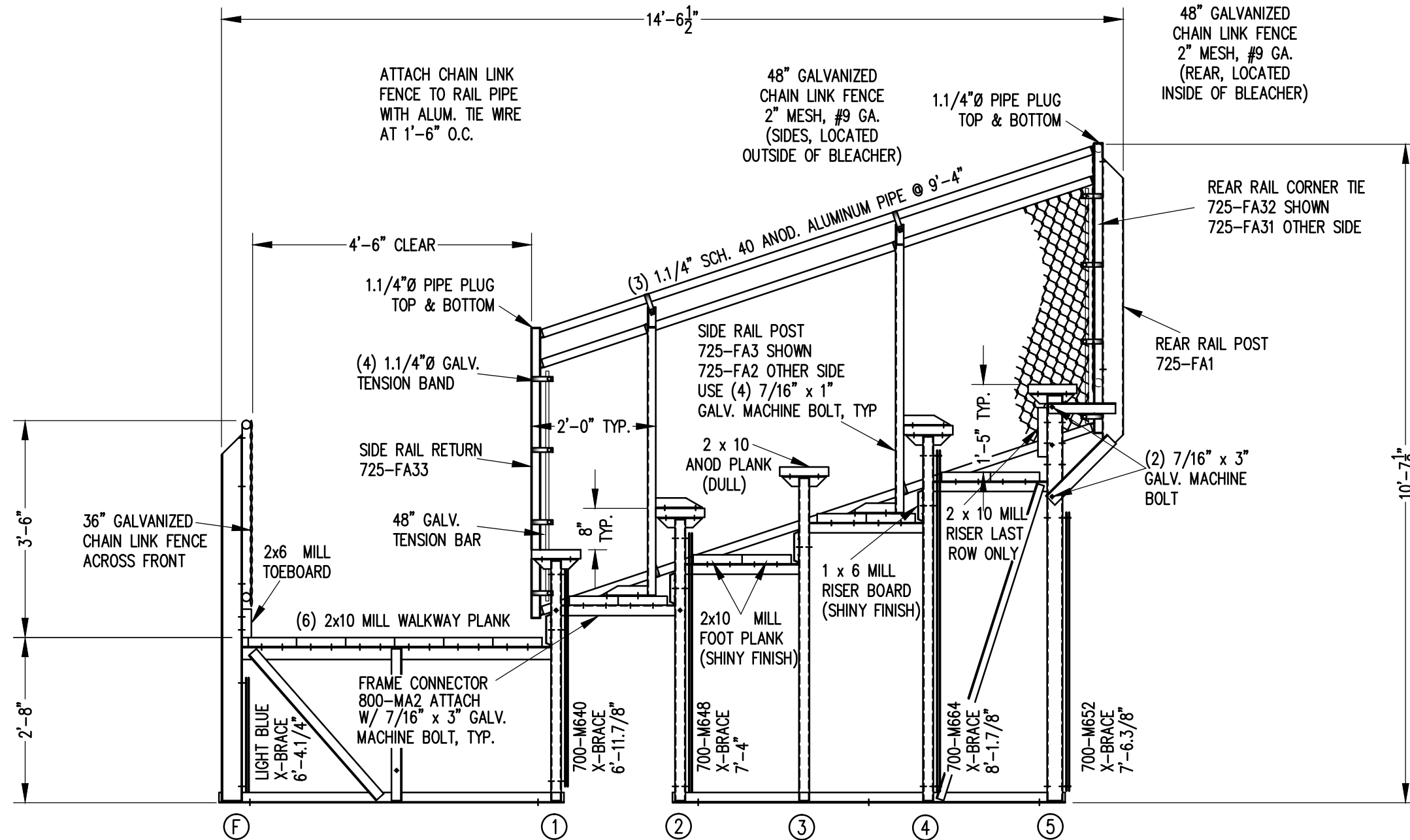
X-BRACE LINE ① ② ④

- 7/16" X 1" GALV. MACH. BOLT
- △ 7/16" X 3" GALV. MACH. BOLT
- 7/16" X 3" GALV. MACH. BOLT

X-BRACE LINE ⑤


- 7/16" X 1" GALV. MACH. BOLT
- △ 7/16" X 4" GALV. MACH. BOLT
- 7/16" X 4" GALV. MACH. BOLT

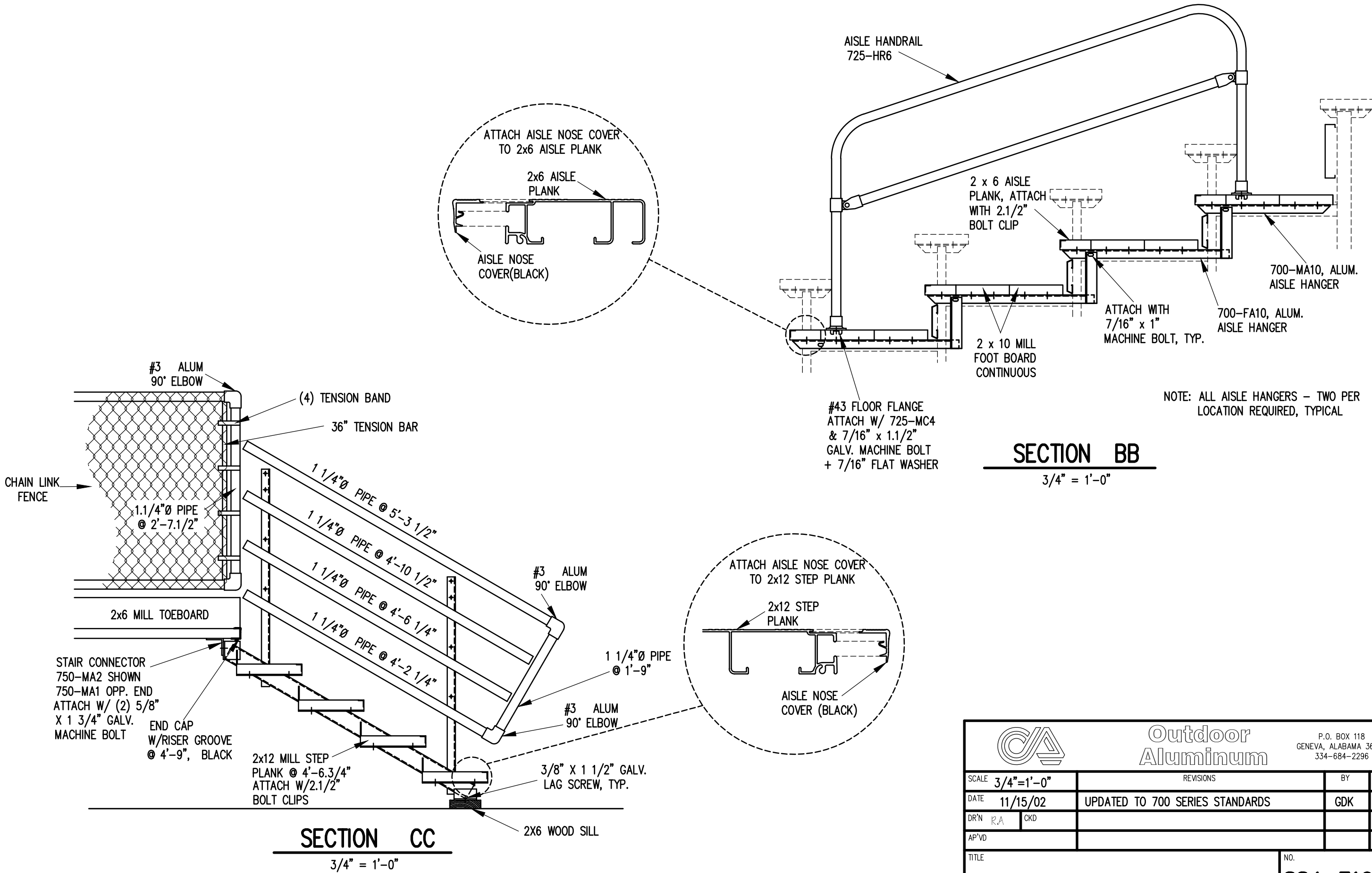
		P.O. BOX 118 GENEVA, ALABAMA 36340 334-684-2296		
				SCALE 3/16"=1'-0"
DATE 12/4/02	UPDATED TO 700 SERIES STANDARDS		GDK	02/13
DR'N R.A	CKD			
AP'VD				
TITLE			NO.	
TSAE 5-21 FRAMING PLAN			884-E2236	



SECTION AA

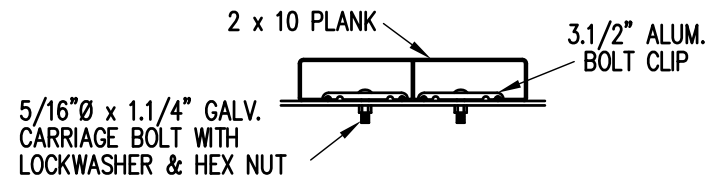
1/2" = 1'-0"

		Outdoor Aluminum P.O. BOX 118 GENEVA, ALABAMA 36340 334-684-2296			
				SCALE	1/2"=1'-0"
DATE	12/2/02	FOOTBOARD SUPPORT,FA17R2,FA23R1,MA2		RS	11/06
DR'N	R.A	CKD	ADDED 1x6 RISER HOLES	WHW	11/09
AP'VD	UPDATED TO 700 SERIES STANDARDS			GDK	02/13
TITLE					NO.
TSAE 5 ROW SECTION					884-E2181



NOTE: ALL AISLE HANGERS - TWO PER LOCATION REQUIRED, TYPICAL

		Outdoor Aluminum P.O. BOX 118 GENEVA, ALABAMA 36340 334-684-2296		
				SCALE 3/4"=1'-0"
DATE 11/15/02	UPDATED TO 700 SERIES STANDARDS		GDK	02/13
DR'N RA	CKD			
TITLE			NO.	
TSAE 5 ROW AISLE & STAIR SECTION			884-E1997	



BOLT CLIP DETAIL

1.1/2" = 1'-0"

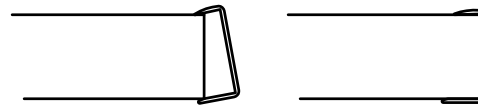


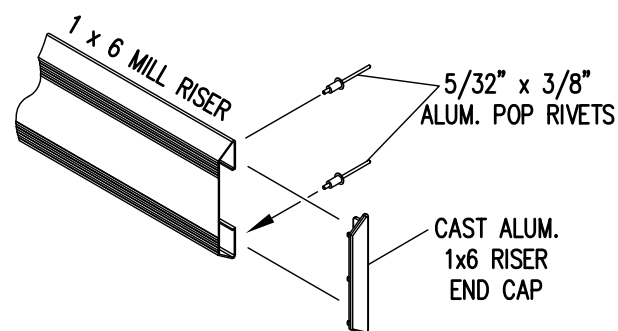
FIG.1

FIG.2

- 1) LOCATE THE CHANNEL END CAP AS SHOWN IN FIG. 1.
- 2) TAP END CAP INTO PLACE WITH RUBBER Mallet OR SOFT WOOD. FIG.2
- 3) DRILL 5/32" HOLES THROUGH THE BOTTOM FLANGE AND THE BOTTOM OUTSIDE PLANK FLANGES OF EACH PLANK. INSTALL 5/32" POP RIVETS.

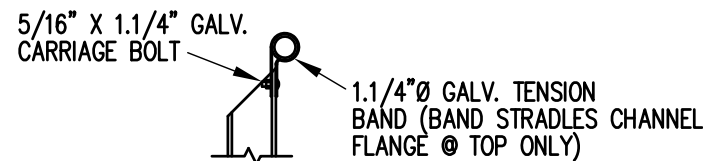
END CAP DETAIL

N.T.S.

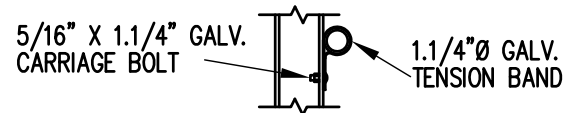


1 x 6 RISER END CAP

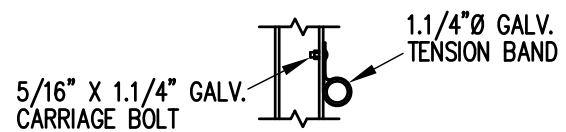
N.T.S.



TOP RAIL

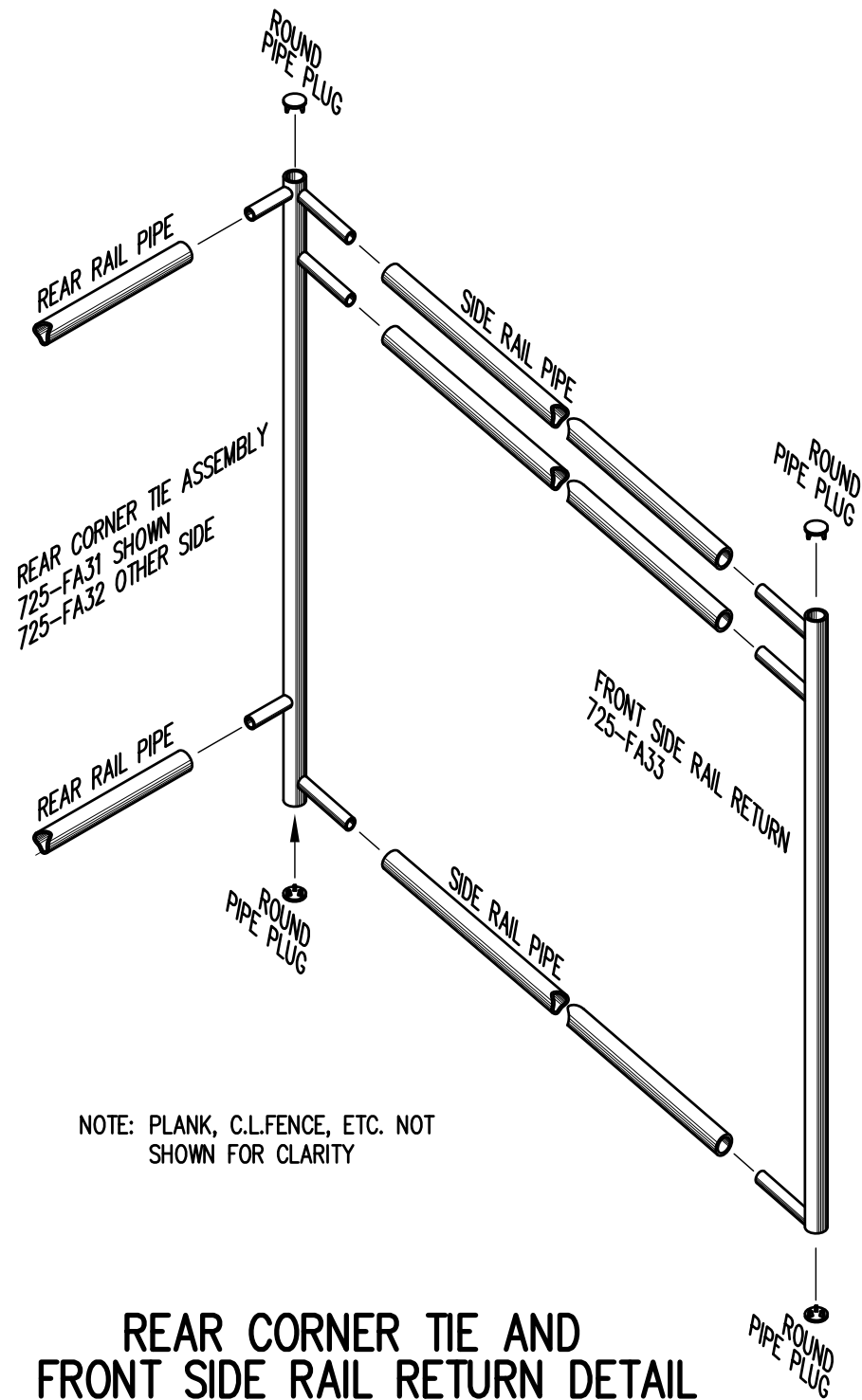


MID RAIL



LOWER RAIL

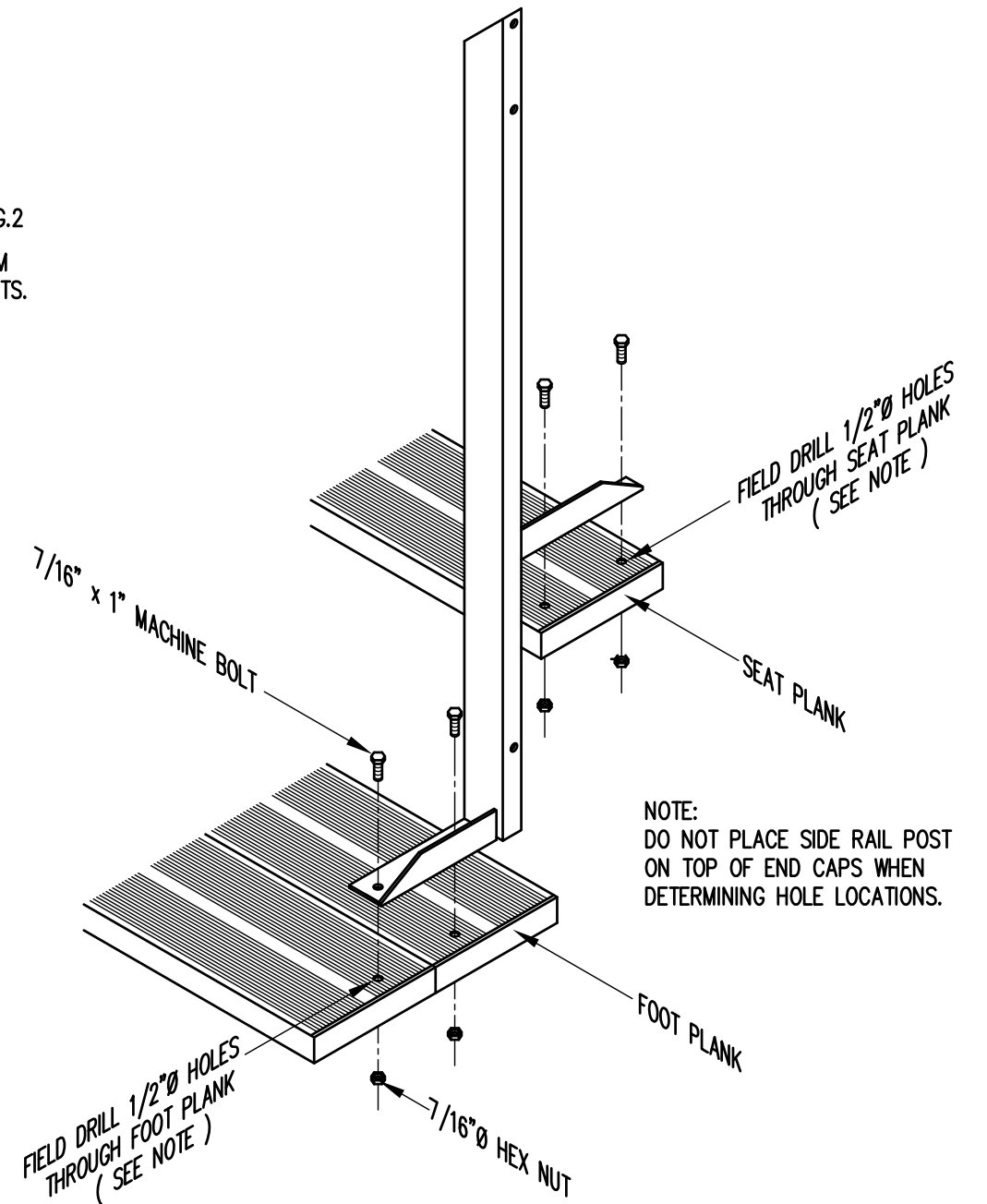
3/4" = 1'-0"



NOTE: PLANK, C.L.FENCE, ETC. NOT SHOWN FOR CLARITY

REAR CORNER TIE AND FRONT SIDE RAIL RETURN DETAIL

3/4" = 1'-0"



NOTE: DO NOT PLACE SIDE RAIL POST ON TOP OF END CAPS WHEN DETERMINING HOLE LOCATIONS.

TYP. SIDE RAIL POST ATTACHMENT

1" = 1'-0"

		P.O. BOX 118 GENEVA, ALABAMA 36340 334-684-2296			
		SCALE AS NOTED	REVISIONS	BY	DATE
DATE	11/15/02	UPDATED TO 700 SERIES STANDARDS		GDK	02/13
DR'N	R.A	CKD			
AP'VD					
TITLE				NO.	
TYPICAL DETAILS				884-E1990	